



BY APPOINTMENT TO  
HER MAJESTY QUEEN ELIZABETH II  
MANUFACTURERS OF DAIMLER AND JAGUAR CARS  
JAGUAR CARS LIMITED COVENTRY



BY APPOINTMENT TO  
HER MAJESTY QUEEN ELIZABETH  
THE QUEEN MOTHER  
MANUFACTURERS OF DAIMLER AND JAGUAR CARS  
JAGUAR CARS LIMITED COVENTRY



BY APPOINTMENT TO  
HIS ROYAL HIGHNESS THE PRINCE OF WALES  
MANUFACTURERS OF DAIMLER AND JAGUAR CARS  
JAGUAR CARS LIMITED COVENTRY

# X-TYPE

## OWNER'S HANDBOOK

Publication Part No. **JJM 10 02 20 551**

Published December 2004 by Technical Communications, **Jaguar Cars Limited**

**JAGUAR CARS LIMITED**, as manufacturer, is dedicated to the design and production of vehicles which meet the expectations of the world's most discerning purchasers.

This handbook forms part of the owner literature supplied with your vehicle. It is designed to complement the relevant features and systems of the vehicle, and make them easy to understand and operate.

The information contained in this handbook applies to a range of vehicles and not to a specific vehicle. For the specification of a particular vehicle, owners should consult their Jaguar Dealer/Authorised Repairer.

The manufacturer reserves the right to vary its specifications with or without notice, and at such times and in such manner as it thinks fit. Major as well as minor changes may be involved in accordance with the Manufacturer's policy of constant product improvement.

To cover changes, it is sometimes necessary to issue one or more handbook supplements. When reading this handbook, check the owner literature for possible supplements.

For full details of the owner literature originally supplied with the vehicle, owners should consult their Jaguar Dealer/Authorised Repairer.

All rights reserved. No part of this publication may be reproduced, stored in a retrieval system or transmitted, in any form, electronic, mechanical, photocopying, recording or other means without prior written permission from the Service Division of Jaguar Cars Limited.

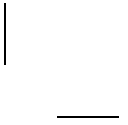
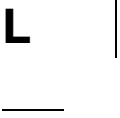


This book is printed on paper that originates from sustainable forests, is recyclable, bio-degradable and acid-free. The wood pulp is chlorine-free and the effluent water is purified before being discharged.

## Handbook Contents

<b>Quick Overview</b>	
Quick Overview . . . . .	7
Filling Station Information . . . . .	18
<b>Owner Information</b>	
General Information . . . . .	21
<b>Security and Locks</b>	
Ignition Switch . . . . .	29
Vehicle Security . . . . .	30
Door Locks . . . . .	33
Luggage Compartment Locks . . . . .	38
Alarm Systems . . . . .	39
<b>Before Driving</b>	
Occupant Protection . . . . .	41
Child Safety . . . . .	52
Seats . . . . .	61
Clock . . . . .	65
Steering Column . . . . .	66
Door Windows . . . . .	67
Mirrors . . . . .	69
Luggage Compartment . . . . .	71
<b>On the Road</b>	
Instruments . . . . .	77
Warning Lights . . . . .	79
Audible Warnings . . . . .	84
Message Centre . . . . .	85
Trip Computer . . . . .	88
Cruise (Speed) Control . . . . .	91
Exterior Lighting . . . . .	93
Interior Lighting . . . . .	97
Parking Assist . . . . .	99
Horn . . . . .	102
Sunroof . . . . .	103
Wipers and Washers . . . . .	104
Handbrake . . . . .	107
Interior Features . . . . .	108
Engine Starting . . . . .	111
Transmission . . . . .	113
Braking System . . . . .	117
Traction Control . . . . .	119
Stability Control . . . . .	120
Driving Information . . . . .	121
Fuel and Refuelling . . . . .	126
<b>Climate Control</b>	
Climate Control . . . . .	131
Manual Climate Control . . . . .	134
Automatic Climate Control . . . . .	137
<b>Roadside Emergency</b>	
Inertia Switch . . . . .	141
Emergency Starting . . . . .	142
Wheel Changing . . . . .	144
Vehicle Recovery . . . . .	149
Bulb Renewal . . . . .	152
Fuses . . . . .	157
Fire Extinguisher . . . . .	165
<b>Maintenance</b>	
General Maintenance . . . . .	166
Bonnet Release . . . . .	167
Regular Checks . . . . .	168
Checking and Top-up . . . . .	171
Battery . . . . .	176
Wiper Blades . . . . .	180
Tyres . . . . .	181
Vehicle Care . . . . .	184
Electrical Accessories . . . . .	187
<b>Specifications</b>	
Engine Data . . . . .	188
Weights . . . . .	189
Load Weights . . . . .	192
Dimensions . . . . .	193
Wheels and Tyres . . . . .	194
Fuel Consumption . . . . .	195

A comprehensive index is located at the back of this handbook.



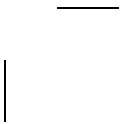
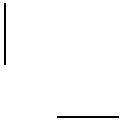
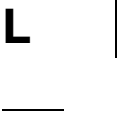
## Quick Overview

### Quick Overview

Warning Lights .....	7
Fascia Controls .....	8
Centre Console .....	9
Occupancy Sensing .....	10
Direction Indicators .....	10
Overhead Console .....	11
Seat Adjustment .....	11
Steering Column Adjustment .....	12
Door Mirror Adjustment .....	12
Window Operation .....	12
Exterior Lights .....	13
Wipers and Washers .....	13
Trip Computer Switchpack .....	14
Climate Control .....	15
Audio System .....	16
Steering Wheel Audio Controls .....	17
Rear Seat Back fold down .....	17

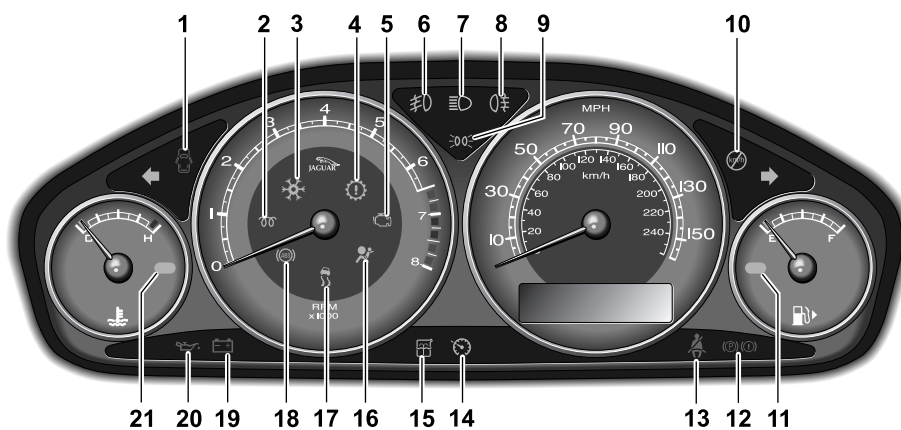
### Filling Station Information

Fuel Type .....	18
Fuel Filling .....	18
Bonnet Release .....	19
Underbonnet Top-up .....	19
Tyre Pressures .....	20



## Quick Overview

### Warning Lights

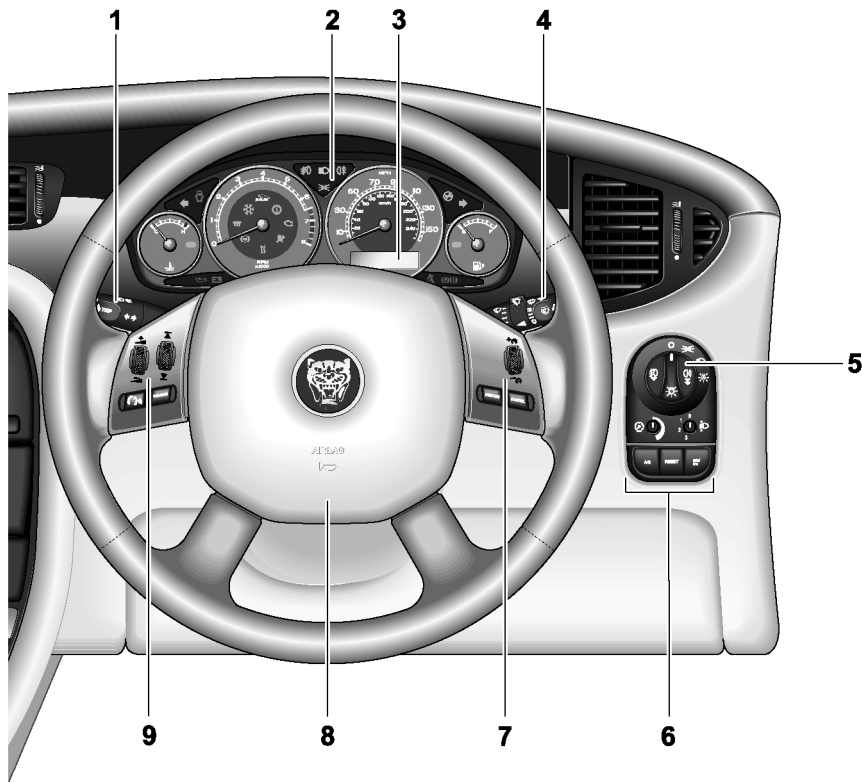


JOL3253

- |   |   |
|---|---|
| <ol style="list-style-type: none"> <li>1. Door ajar.</li> <li>2. Glow plugs (diesel only).</li> <li>3. Low outside temperature.</li> <li>4. Powertrain malfunction.</li> <li>5. Engine malfunction.</li> <li>6. Front fog lights.</li> <li>7. Main beam.</li> <li>8. Rear fog lights.</li> <li>9. Side (parking) lights.</li> <li>10. Overspeed warning (Middle East countries only).</li> <li>11. Low fuel level.</li> <li>12. Handbrake on/brake fluid low.</li> <li>13. Driver's seat belt.</li> </ol> | <ol style="list-style-type: none"> <li>14. Cruise control active.</li> <li>15. Low washer fluid level.</li> <li>16. Airbag.</li> <li>17. Traction control/dynamic stability control.</li> <li>18. Anti-lock braking system (ABS).</li> <li>19. Battery charge indicator.</li> <li>20. Low oil pressure.</li> <li>21. High engine temperature.</li> </ol> <p>For detailed information about instruments and warning lights, refer to page 77 of this handbook.</p> |
|---|---|

## Quick Overview

### Fascia Controls



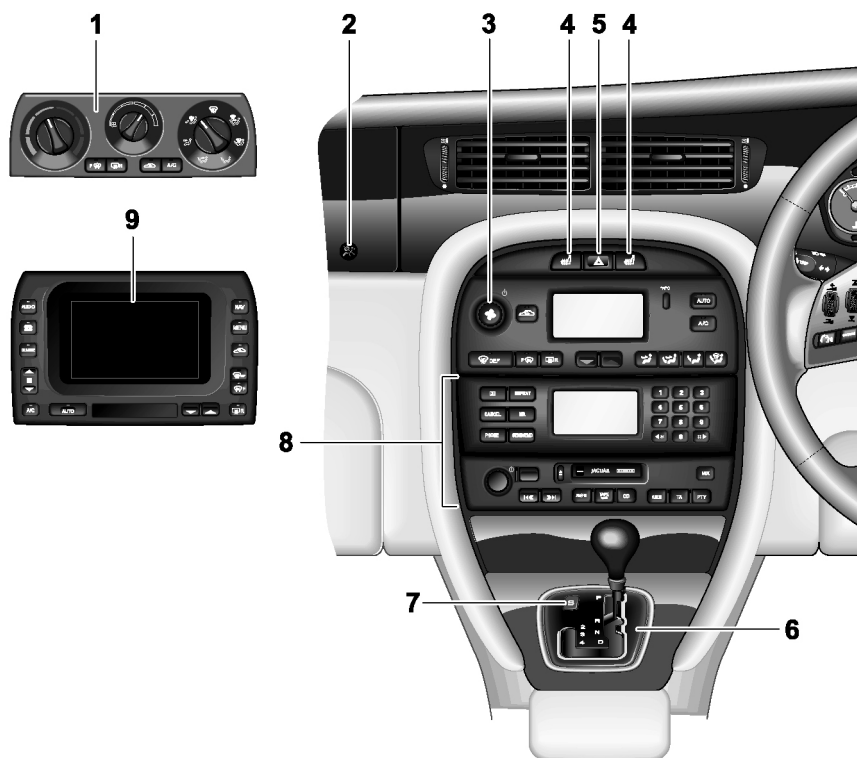
JOL3616

- |   |  |
|---|--|
| <ul style="list-style-type: none"> <li>1. Direction indicator switch (96).</li> <li>2. Instrument cluster (77).</li> <li>3. Message centre (85).</li> <li>4. Wiper/washer switches (105).</li> <li>5. Exterior light switch (93).</li> <li>6. Trip computer switches (88).</li> </ul> | <ul style="list-style-type: none"> <li>7. Cruise control switches (91).</li> <li>8. Driver's airbag/horn (102).</li> <li>9. Audio switches (see audio systems handbook).</li> </ul> <p>Refer to this handbook (page numbers shown in brackets) for further relevant information.</p> |
|---|--|



## Quick Overview

### Centre Console



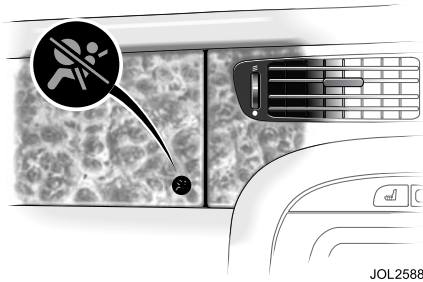
JOL3182

1. Manual climate control (134).
2. Airbag off indicator light (50).
3. Automatic climate control panel (137).
4. Front seat heater switches (64).
5. Hazard warning switch (96).
6. Gear selector (113).
7. Sport mode switch (115).
8. Audio control panel (see audio systems handbook).
9. Touch-screen (see touch-screen handbook).

Refer to this handbook (page numbers shown in brackets) for further relevant information.

## Quick Overview

### Occupancy Sensing



JOL2588

The front passenger seat is equipped with a sensor that determines if the seat is occupied by measuring the weight on the cushion. This information is used to change the passenger airbag deployment status.

An indicator light is located on the passenger fascia. This illuminates when the passenger airbag is **deactivated**.

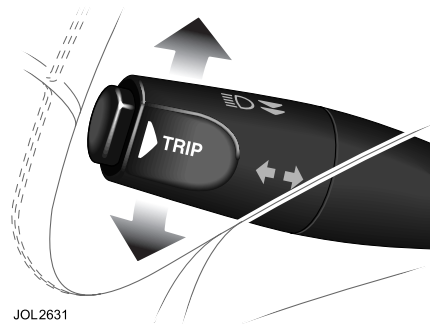
The occupancy sensor operates as follows:

Seat occupancy status	Passenger airbag status	Indicator light active
Completely empty	Deactivated	No*
Low weight occupant/object	Deactivated	Yes
Heavy occupant/object	Activated	No

\*It is possible to receive an intermittent indicator light with an empty seat condition. This is part of the system's adaptive behaviour, and does not affect the status of the passenger airbag. However, if the indicator light becomes permanently illuminated when the seat is definitely empty, then contact your nearest Jaguar Dealer/Authorised Repairer immediately.

Refer to page 50 for more information.

### Direction Indicators

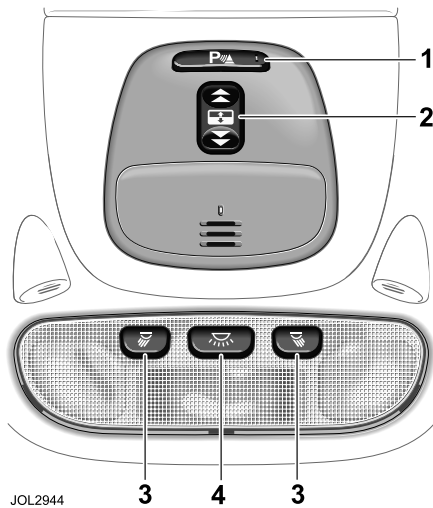


JOL2631

For information on direction indicators, see page 96.

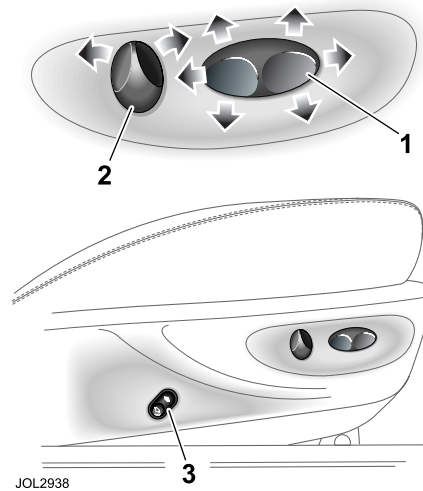
## Quick Overview

### Overhead Console



1. Park aid (see page 99).
2. Sunroof (see page 103).
3. Reading/map lights (see page 97).
4. Interior roof light (see page 97).

### Seat Adjustment



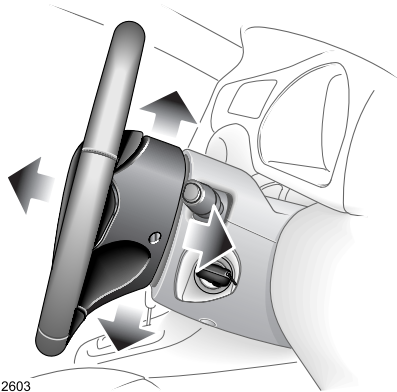
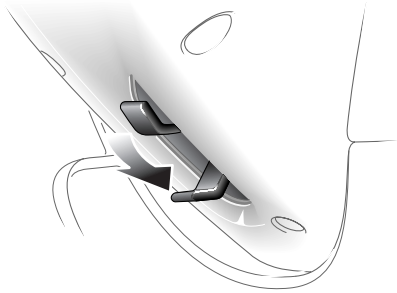
For 10-way adjustable seats:

1. Adjusts the seat base.
2. Adjusts the seat back.
3. Adjusts the lumbar support.

For more information on front and rear seat operation and for details of how to operate seats with different features, see page 61.

## Quick Overview

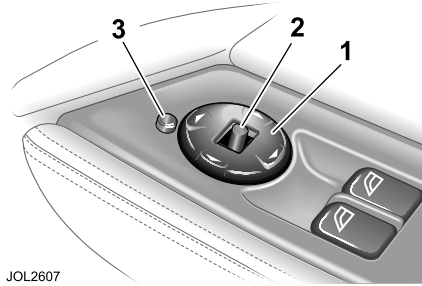
### Steering Column Adjustment



JOL2603

For full details on how to adjust the steering column, see page 66.

### Door Mirror Adjustment

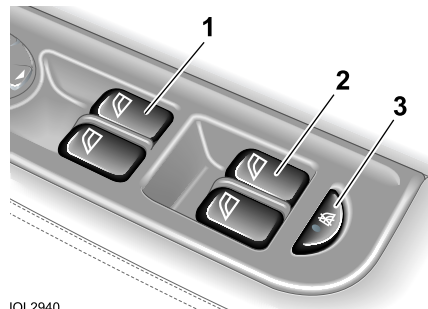


JOL2607

1. Adjusts mirrors.
2. Selects left or right-hand door mirror.
3. Folds door mirrors flat.

For more information on door mirrors, see page 69.

### Window Operation



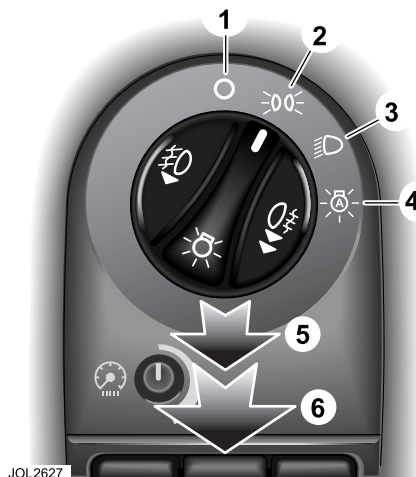
JOL2940

1. Opens/closes front windows.
2. Opens/closes rear windows.
3. Isolates operation of rear windows.

For more information on window operation, see page 67.

## Quick Overview

### Exterior Lights



JOL2627

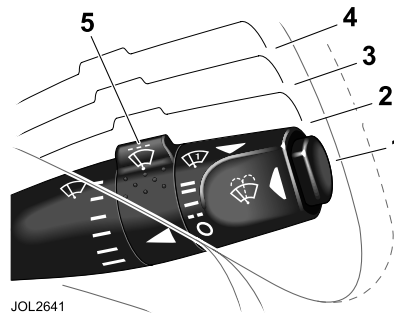
1. Exterior lights OFF.
2. Side (parking) lights.
3. Headlights.
4. Auto lights.
5. Front fog lights.
6. Rear fog lights.

For more information about exterior lighting, see page 93.

### Wipers and Washers

The stalk functions are as follows:

1. Wipers OFF.
2. Intermittent wipe.
3. Normal wiper operation.
4. High speed wiper operation.
5. Intermittent delay collar - rotate to vary the wipe delay and AUTO wipe.



JOL2641

### Caution:

- Ensure that **AUTO** is not selected when entering a car wash or damage to the wiper blades/arms can occur.
- During frosty conditions, ensure that **AUTO** is not selected before operating the ignition switch as damage to the wiper blades can occur when the windscreen is frozen.

### Flick wipe

**Saloon** - Pull stalk towards the steering wheel.

**Estate** - Push stalk down from OFF (1) position.

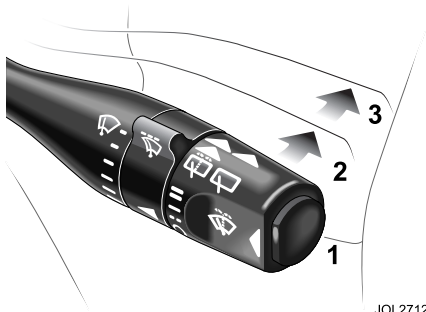
**Note:** When starting a journey with a wet windscreen, the rain sensing wipers will not operate immediately the ignition is switched on. Therefore, a flick wipe should be used to clear the windscreen of any moisture.

### Wash/wipe

Push the button on the end of the column switch.

## Quick Overview

### Rear wash/wipe (Estate only)



JOL2712

Estate models are fitted with a rear screen wash/wipe. This is operated by the right-hand column stalk and only operates with the ignition in position 'II'.

The stalk functions are as follows:

1. Rear wiper off and parked.
2. Intermittent wipe.
3. Continuous wash and wipe.

If reverse gear is selected, the rear wiper will operate automatically if the windscreen wipers are switched on.

**Caution: In cold conditions, when frost may be present on the rear screen, it is advisable to switch off the windscreen wipers before selecting reverse gear. The automatic operation of the rear wiper may cause damage to the blade if the screen is heavily frosted.**

For full details on how to operate the wipers/washers, see page 104.

### Trip Computer Switchpack



JOL2623

#### ML/km

Pressing the 'ML/km' switch alternately displays data in metric or imperial units.

#### A/B

Selects either A or B trip memory. Select the required data using the column stalk TRIP button and then pressing A/B will show the A or B information for that data.

#### RESET

RESET resets the selected trip to zero.

#### Resetting the trip computer

At the start of the journey (or series of journeys) to be recorded, reset the computer memory to zero as follows:

1. Press the TRIP button on the end of the left column stalk switch to select a trip function. The computer will display either TRIP A: or TRIP B: data.
2. Press the A/B switch to select the trip (A or B) to be reset.
3. Press the RESET switch and hold for 3 seconds.

For more information, refer to page 89.

## Quick Overview

### Climate Control



JOL3276

1. Push for system ON/OFF, rotate for manual blower speed.
2. Automatic operation.
3. Air conditioning.
4. Heated rear screen.
5. Defrost.

Moisture removed from the air by the air conditioning unit is discharged onto the road underneath the vehicle. After stopping, puddles of water may form underneath the vehicle: this is normal.

For full details of climate control, see page 131.

#### For optimum comfort and system operation:

- Optimum temperature control and comfort is achieved by selecting **AUTO**.
- Operate with **A/C** on throughout the year to reduce the risk of misting.
- **A/C** operates automatically in **DEFROST** and partial screen modes to maximise screen clearance. **A/C** cannot be switched off in **DEFROST**.
- Recirc is automatically cancelled in **DEFROST** and in partial screen modes as it contributes to misting. Recirc cannot be selected in **DEFROST**.

## Quick Overview

### Audio System



JOL3274

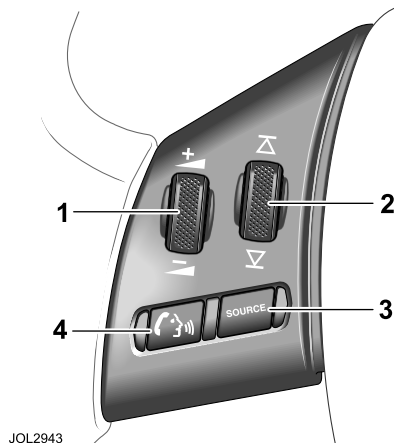
1. ON/OFF switch and volume control.
2. Seek AM/FM station, seek tape or cue/rewind CD.
3. AM/FM radio waveband select.
4. Select cassette tape play when in other audio mode. Change tape side when a tape is playing.
5. Select CD changer.
6. Pre-set buttons and phone key pad.
7. Phone mode.
8. Cassette tape eject.
9. CD eject.
10. Select CD changer.
11. Select CD play when in other audio mode.

For all other options and functions, see the audio systems handbook.



## Quick Overview

### Steering Wheel Audio Controls

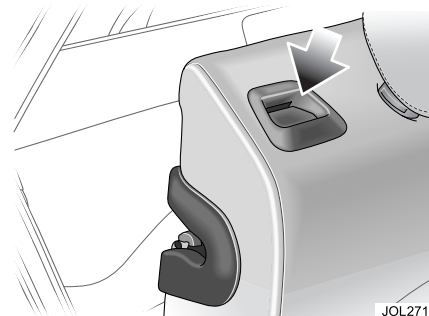


JOL2943

1. Increase/decrease volume.
2. Cycle through preset radio stations, next CD/MD track or tape automatic music search. Press and hold for 2 seconds to select next strong radio station, next CD or change tape side.
3. Cycle through radio FM, AM, cassette, CD, MD and CD changer. Press and hold for 2 seconds to select Phone Ready mode.
4. Start voice session, or mute if voice is not fitted. Answer phone call when ringing, or send/end in Phone mode.

For further information, see the audio systems handbook.

### Rear Seat Back fold down (Estate only)



JOL2716

There is a red indicator to the rear of each release catch, which is only visible when the seat is unlatched.

When returning the seat back to the upright position, ensure the catches lock correctly: when locked, the red indicator on each catch is obscured.

**Caution: If the catches are not locked correctly, the centre seat belt will not operate.**

For further information, including instructions for folding rear seats in Saloon models, see page 72.

## Filling Station Information

### Fuel Type

**Petrol models** - Unleaded 95 RON.

**Diesel models** - Diesel fuel to EN 590 or equivalent.

**Caution: DIESEL ENGINES** - If you inadvertently fill your vehicle with petrol instead of diesel, do not attempt to start the engine. Contact your Jaguar Dealer/Authorised Repairer immediately.

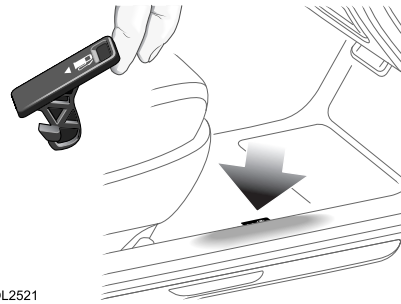
Attempting to start the engine with petrol in the fuel tank will cause extensive damage to the engine and fuel system, which will not be covered by your Jaguar warranty.

Jaguar can accept no responsibility for any damage caused by running your vehicle with petrol in the fuel tank.

**Diesel engines only:** Drivers should expect above normal fuel consumption when the engine is new and 'bedding in'. After a period of time, the fuel consumption will gradually improve to expected levels.

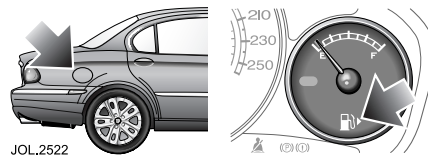
**Caution: Do not use RME (bio-diesel) except in the case of proprietary diesel fuels which contain a mix of up to 5%.**

### Fuel Filling



JOL2521

Pull the fuel filler flap release. This is located on the floor, outboard of the driver's seat, see page 126.



JOL.2522

The filler flap is located on the right-hand side of the vehicle.

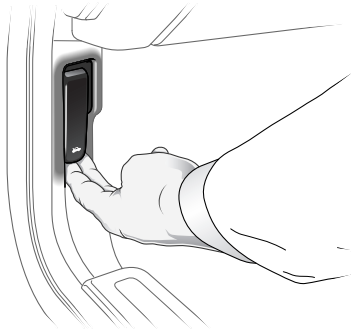
**Note:** Vehicles with a diesel engine have a **yellow** filler cap.

For quickness and to completely fill the tank, ensure that the fuel nozzle rests on the bottom of the filler neck.

After refuelling, refit the filler cap in the filler neck and twist the cap clockwise until it clicks three times. Close the flap, which automatically locks shut.

## Filling Station Information

### Bonnet Release



JOL2523

Pull the release lever located below the fascia on the left-hand side of the vehicle, see page 167.

### Underbonnet Top-up

#### Recommended engine oil

See page 172.

#### Petrol models -

Castrol 5W-30 to Jaguar specification WSS M2C913 - A or B.

#### Diesel models -

An oil of 5W-30 to Jaguar specification WSS M2C913 - B must be used in all vehicles with a diesel engine.

For **top-up purposes only**, where oil of specification WSS-M2C-913-B cannot be found, ACEA B1 or ACEA B3 specification oils may be used.

#### Windscreen/headlight washer reservoir.

See page 174.

#### Cooling system

50% water/50% anti-freeze, see page 174.

## Filling Station Information

### Tyre Pressures

The tyre pressures for all normal operating conditions are shown on a label fixed to the end of the dashboard on the driver's side of the vehicle.

Check pressures when the tyres are cold (see page 181). Deflating air from a warm tyre to the recommended pressure will result in under inflation which may be dangerous.

For your convenience you may wish to record the tyre pressures in the boxes provided below. If you are unsure of the correct pressures, please contact your Jaguar Dealer/Authorised Repairer.

#### FRONT

Normal Driving

Laden/High Speed

Spare Wheel

#### REAR

Normal Driving

Laden/High Speed

Spare Wheel



#### WARNING:

When using tyres other than those recommended by Jaguar, do not exceed the speed capacity recommended by the manufacturer.

## General Information

### Overview

Whether you are new to the Jaguar marque or have previously owned Jaguar vehicles, we are pleased that you have made Jaguar your choice of vehicle this time.

For your safety and pleasure, please take the time to get well acquainted with your new vehicle by reading the handbooks.

Details of the vehicle warranty are contained within the 'Warranty Benefits' book.

When left-hand or right-hand is used in the text, this refers to the left-hand side or right-hand side of the vehicle, viewed from the rear.

This Handbook describes every option and model variant available and therefore some of the items covered may not apply to your particular vehicle.

### Jaguar Dealers/Authorised Repairers

Jaguar Dealers/Authorised Repairers are chosen with care. Each is dedicated to providing a Sales, Service and Spare Parts facility of the highest standard.

Jaguar Dealers/Authorised Repairers are provided with full technical support from the factory, with comprehensive training for all their technicians. Dealers' workshops operate to a high standard and have all the necessary tools and equipment essential to maintain or repair Jaguar vehicles.

### Genuine Jaguar parts and accessories

Your Jaguar Dealer/Authorised Repairer can supply you with genuine replacement parts and accessories which are fully approved to Jaguar's original equipment specification. This will ensure that the safety and performance of your vehicle is maintained for your complete peace of mind.

Please note that fitment of non-genuine parts may invalidate the vehicle warranty if a subsequent fault occurs due to fitting sub-standard replacement parts or accessories.

### Jaguar parts distribution service

Jaguar Dealers/Authorised Repairers stock a large number of parts to keep your vehicle maintained and get you back on the road as quickly as possible. Their service is supported by six strategically positioned Jaguar parts distribution centres in the United Kingdom, Germany, Japan, Australia and two in North America, providing next-day delivery to the vast majority of world-wide Dealers.

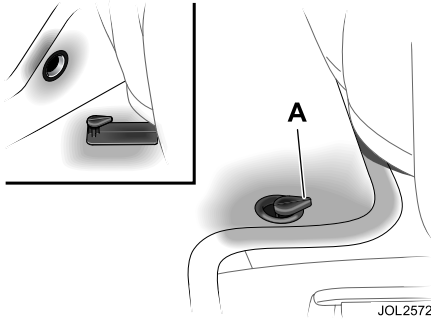
### Accessories

A full range of Jaguar Engineering approved accessories including safety, stowage, touring, leisure and lifestyle products is available from your Jaguar Dealer/Authorised Repairer.

Please ask your Jaguar Dealer/Authorised Repairer for an up-to-date brochure so you can select your requirements from the latest range.

## General Information

### Floor Mat Retention



Ensure that the driver's floor mat is correctly positioned and secured under the tongues on the retention posts (A, only one post shown), so that the mat does not interfere with the operation of the accelerator, clutch or brake pedals. In particular, check the position of the mat when refitting after cleaning or servicing.

### Mobile/Portable Telephones



#### WARNING:

- **Using a mobile/portable telephone without an exterior antenna is not recommended when driving as the electro-magnetic fields produced can cause malfunctions with the vehicle electronic systems.**
- **Using any hand-held appliance while driving can be dangerous and is illegal in certain countries.**
- **Always stop the vehicle before making a call and ensure that the telephone is switched off while you are driving.**

### Window Tinting



#### WARNING:

**For Saloon models, do not have your vehicle windows tinted with a metal oxide tinting (for maximum heat reduction from sun load) if you have a navigation system fitted to your vehicle.**

Metal oxide tinting prevents the reception of the Global Positioning Satellite (GPS) signals by the antenna, causing the navigation system to stop functioning. This does not affect Estate models, as the antenna is located beneath the rear spoiler.

A non-metal tinting should be used if you require window tinting and if in doubt, contact your Jaguar Dealer/Authorised Repairer for advice.

### Protect the Environment

We must all play our part in protecting the environment. Correct vehicle usage and disposal of waste cleaning and lubrication materials are significant steps towards this aim.

Avoid using high engine speeds. You will then protect your engine, reduce fuel consumption, lower the engine noise level and help towards reducing the environmental burden.

Dispose of batteries, tyres, engine, brake and coolant fluids at your local authorised waste disposal facilities.

## General Information

### Leather Care Guide

Leather is a natural product, therefore, it bears natural characteristics, such as grain variations, growth and brush marks. These non-weakening marks show the true nature of the hide and are the hallmarks of a leather product. Leather is an easy to maintain natural product, however, dust and substances can penetrate the pores and crease the leather, causing surface wear and brittleness.

To prevent ingrained dirt and staining, inspect the seat upholstery regularly and clean every one to two months as follows:

- Wipe off fine dust from the seat surfaces at regular intervals using a clean, damp, non-coloured cloth. Change frequently to a clean area of cloth to avoid abrasive action on the leather surface. Avoid over-wetting.
- If this is not sufficient, use a cloth which has been dampened with warm soapy water and then wrung out. Never allow the leather to be soaked through. Use only mild non-caustic soap.
- Use Jaguar Leather Cleaner for heavily soiled areas. Dry off and rub with a clean soft cloth, changing surfaces regularly.

When staining (e.g., from clothing) or spillage occurs, clean the affected area immediately as described above.

It is recommended that Jaguar Leather Cleaner is used several times a year to maintain its appearance and suppleness. The Jaguar Leather Cleaner will nourish and moisturise the leather and help to improve and renew the surface protective film against dust and substances.

- Do not use solvents such as petrol (gasoline), white spirit or alcohol. Do not use detergents, furniture polish or household cleaners. Such strong treatments may give, initially, an impressive appearance, but their use will lead to rapid damage or deterioration of the natural properties of the leather. Jaguar recommends a basic set of products that have been specially selected for the type of leather in your vehicle. The Manufacturer's Warranty will be invalidated if treatments are used other than those recommended by Jaguar Cars Limited.
- Dark clothing may stain leather seats just like other upholstery products.
- Sharp objects such as belts, zip fasteners, rivets, etc. can leave permanent scratches and scratch marks on the leather surface.
- Unless spillages such as tea, coffee or ink are washed away immediately, permanent staining may have to be accepted.

If a valet service is used, ensure that the specialist concerned is aware of these instructions, and follows each instruction precisely.

For any further questions please consult your Jaguar Dealer/Authorised Repairer for specialist advice.

## General Information

### Warnings, Cautions and Notes

Take particular note of WARNINGS, Cautions and Notes given throughout this handbook.



JOL.1301



#### **WARNING:**

**A warning is a procedure which must be followed precisely to help avoid the risk of personal injury.**

**Caution: A caution is a procedure which must be followed precisely to reduce the possibility of damage to the vehicle and resultant risk of personal injury or inconvenience.**

***Note:** A note is a procedure which will help avoid difficulties in the operation of the vehicle.*

#### **Warning symbols**

On encountering the warning triangle or open book symbol on the vehicle, it is important that before touching this part of the vehicle or attempting adjustments of any kind you consult the relevant section of this handbook.

**Caution: Do not remove any warning labels from the underbonnet area or inside the vehicle.**

### Vehicle handbooks

Remember to pass on the vehicle handbooks when reselling the vehicle. Handbooks are integral parts of the vehicle.

### Regular Servicing

#### **Maintenance**

Each vehicle is given a full 'Pre-Delivery Inspection' to ensure that all systems function correctly and that the vehicle meets its specification.

Owners are responsible for the regular maintenance and servicing of the vehicle. Jaguar Dealers/Authorised Repairers will be pleased to arrange periodic servicing and can provide you with details of tasks carried out at each service interval.

Failure to implement maintenance at the recommended intervals could result in deterioration of vehicle performance and possible infringement of regulations.

Regular routine maintenance not only helps to prevent unnecessary 'breakdowns' and inconvenience, but enhances the 'trade in' or resale value of the vehicle.

#### **Jaguar diagnostic system**

Many of the vehicle systems are controlled by complex electronic devices. Specialist equipment is required to trace and rectify faults in the systems and ensure that only faulty components are repaired or renewed.



## General Information

---

**Caution: Severe damage to the electrical system and electronic components can occur if any attempt is made to diagnose faults in the electrical system using conventional diagnostic equipment (for example, the use of test lamps or low impedance voltmeters). The fitting of any electrical accessory should only be entrusted to a Jaguar Dealer/Authorised Repairer.**

### On-board Event Data

#### Service Data Recording

Service data recorders in your vehicle are capable of collecting and storing diagnostic information about your vehicle. This potentially includes information about the performance or status of various systems and modules in the vehicle, such as engine, throttle, steering or brake systems.

In order to properly diagnose and service your vehicle, Jaguar Cars Limited and service and repair facilities may access vehicle diagnostic information through a direct connection to your vehicle when diagnosing or servicing your vehicle.

#### Event Data Recording

Other modules in your vehicle - event data recorders - are capable of collecting and storing data during a crash or near crash event. The recorded information may assist in the investigation of such an event. The modules may record information about both the vehicle and the occupants, potentially including information such as:

- How various systems in your vehicle were operating.
- Whether or not the driver and passenger seat belts were buckled.
- How far, if at all, the driver was depressing the accelerator and/or the brake pedal.
- How fast the vehicle was travelling.
- Where the driver was positioning the steering wheel.

To access this information special equipment must be directly connected to the recording modules. Jaguar Cars Limited do not access event data recorder information without obtaining consent, unless pursuant to court order or where required by law enforcement, other government authorities or third parties acting with lawful authority.

Other parties may seek to access the information independently of Jaguar Cars Limited.

## General Information

### Running-in

Apart from a few precautionary recommendations, there are no strict 'running-in' procedures for this vehicle.

By observing the following advisory notes you will ensure maximum engine, transmission and brake life for your vehicle:

- Allow the engine to warm up thoroughly before operating at engine speeds over 3500 rev/min.
- Vary the speed frequently.
- From 1500 kilometres (940 miles) onwards, gradually increase performance of the vehicle up to the permitted maximum speed.

### Running-in for brakes

To ensure that the brake pads can 'bed-in' evenly and reach their optimum wear and performance condition, usually within 480 kilometres (300 miles), the following points are recommended.

- Where possible, avoid heavy braking or rough usage of the brakes as this can result in damage being caused to the brake pads and discs.
- Avoid prolonged use of the brakes, for example, when descending severe gradients.
- Frequent light application of the brakes is desirable. This helps to fully 'bed-in' the brake pads before the normal running-in period is completed and the vehicle is operated at high speeds, when maximum brake efficiency will be required.

The above equally applies when new discs or pads have been fitted.

### Running-in for automatic transmission

To allow the automatic transmission to uniquely adapt to the vehicle, the transmission should be operated in normal mode (i.e. sport mode switch not illuminated, see page 115) for the first 800 kilometres (500 miles).

### Vehicle Identification Number (VIN)

It is essential that the Vehicle Identification Number (VIN) is quoted in all correspondence and when ordering replacement parts.

The number is visible from outside the vehicle, on a plate in the lower left edge of the windscreen.

### Vehicle build date (Australia only)

This is the calendar month and year in which the body and powertrain assemblies were cojoined and the vehicle was driven from the production line. The build date is shown on a plate located inside the spare wheel well, on the left-hand vertical surface.

## General Information

---

### **Certification Label**

Vehicles have the Certification Label adhered to the left-hand front door hinge post. Vehicle weights, paint code, manufacture date and the VIN are shown on this plate.

### **Engine number**

#### **Petrol engines:**

Stamped on a raised/machined boss above the oil pan seam directly behind the oil filter adapter plate.

#### **Diesel engines:**

Stamped on a raised/ machined boss on the left-hand side of the engine bay, directly above the air conditioning pump pulley.

### **Transmission number**

On a metal label or bar code label attached to the transmission casing.

## General Information

---

### Health and Safety

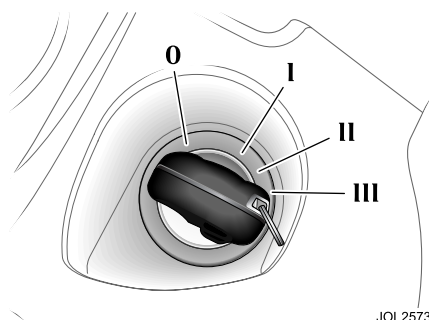


#### WARNING:

- Many liquids and other substances used in vehicles are poisonous and should never be consumed and must be kept away from open wounds. These substances include anti-freeze, brake fluid, fuel, windscreen washer additives, lubricants and various adhesives.
- The presence of any unusual fumes (for example, petrol, diesel or exhaust fumes) in the passenger compartment and/or luggage compartment should be corrected immediately by a Jaguar Dealer/Authorised Repairer. If you must drive under these conditions do so only with all windows fully open.
- By operating other electronic equipment (for example, a mobile phone without an exterior antenna) electro-magnetic fields can cause malfunctions of the vehicle electronics. Therefore, you should observe the instructions of the equipment manufacturers.
- Any modifications to the fuel system not specifically designed for this Jaguar are prohibited. Such modifications in some circumstances could result in a fire. All service actions must be entrusted to a Jaguar Dealer/Authorised Repairer.
- Alterations to the electrical system, including the fitting of accessories not designed for this Jaguar, will cause damage to the electrical circuits and systems. In some circumstances this could result in a malfunction or fire. All accessory work should be entrusted to a Jaguar Dealer/Authorised Repairer.
- No attempt should be made to repair a fuse that has blown. Always install a new fuse of the correct amperage. Failure to comply with the above may cause a fire hazard or create serious damage elsewhere in the electrical circuit.
- Avoid contact with battery acid which is poisonous and corrosive. Acid will cause burns to the skin as well as to the eyes. In the event of skin or eye contamination, wash the affected area with water thoroughly. Seek immediate medical attention when eye contact has occurred.
- Do not disconnect any pipes in the air conditioning refrigeration system. A refrigerant is used which can cause blindness if allowed to contact the eyes. If refrigerant should contact the eyes or skin, wash the eyes or affected area with cold water for several minutes. Do not rub. As soon as possible thereafter, obtain treatment from a doctor or eye specialist.
- When working within the engine compartment, take care to avoid contact with moving parts and hot components, and ensure that any metal objects do not short circuit the battery.

## Ignition Switch

### Ignition Switch Operation



The ignition switch, on the right-hand side of the steering column, has four key positions:

- 0** Ignition OFF.
- I** Auxiliary.
- II** Ignition ON.
- III** Engine start.

Position '0': Is the only position in which the key can be inserted and removed.

Position 'I': Allows use of some electrical circuits, for example, radio operation.

Position 'II': All electrical circuits except the starter motor are activated. The key remains in this position when driving.

Position 'III': The starter motor is operated.

### To Remove the Ignition Key

#### Manual transmission vehicles only

Apply the handbrake and turn the key to position '0'. The key can then be removed from the switch.

#### Automatic transmission vehicles only

Automatic transmission vehicles have a key interlock feature.

Apply the handbrake, place the gear selector in 'P' and turn the key to position '0'.

The automatic transmission gear selector must be placed in Park 'P' before the key can be removed from the ignition switch. When the key is removed, the gear selector will be locked in Park.

#### Gearshift Interlock

A brake pedal/gearshift interlock system is incorporated in the automatic transmission gear selector mechanism.

To move the gear selector from Park:

1. Turn the ignition key to position 'II' or start the engine.
2. Press the brake pedal.

#### Steering Column Lock

When the ignition key is removed from the ignition switch the steering column lock is engaged. The lock is disengaged when the key is inserted into the ignition switch and turned to position 'I'.

In rare circumstances it may be necessary to gently turn the steering wheel from side to side to release the steering column lock.

## Vehicle Security

---

### Security Overview

When leaving the vehicle unoccupied, remember the following:

- Apply the handbrake and with automatic transmission, move the gear selector to Park 'P'.
- Do not leave children or pets in the vehicle unattended.
- Do not leave luggage or valuables on view. Always take your valuables with you or lock them in the luggage compartment.
- Remove the ignition key and spare keys, even when the vehicle is in your garage.
- Close all windows and lock all doors securely.
- Park the vehicle where it can be seen. At night, park in a well-lit area.
- When leaving the vehicle unattended, for maximum security ensure that the doors are double-locked.

Ensure that all key transmitters are removed from the vehicle before locking the doors, and that all doors, the luggage compartment and the bonnet are closed.

It is important to keep your keys in safe places at all times. Leaving them in conspicuous places is an invitation for a thief to steal them and, consequently, your vehicle or belongings. Keep them as secure as you would your wallet or purse, both at home and away.

### Immobiliser Security Light

This vehicle is equipped with an immobilisation system.

An electronic device is fitted in the head of each key which is programmed to the vehicle electronics. When the key is placed in the ignition switch the vehicle electronics recognise the correct key and allow engine start. The engine cannot be started with a key not programmed to the vehicle electronic systems.

If an ignition key is placed in the ignition switch and turned to position 'II' and the alarm security light on the centre console remains flashing after three seconds, it is possible that the engine will not start. In any event, please contact a Jaguar Dealer/ Authorised Repairer to investigate the cause of the light flashing.

### Keys

This vehicle is supplied with a key integrated with the remote transmitter. This key operates all the locks on your vehicle. Vehicles are supplied with two integrated keys.

The key number is recorded on a plastic tag which is attached to each key. Detach the tag and keep safely, not in the vehicle.

## Vehicle Security

### Radio Frequency Approval

If the type approval of your key transmitter requires inspection, refer to the table below.

Type Exam. Certificate Number:  
CERT 980154-01

Country	Approval Number
All EU and EFTA countries	CE 0700 ⓘ

### Key Transmitter



OL2759

The security system is controlled remotely by a radio frequency, battery-operated transmitter.

The transmitter is activated by pressing one of the operating buttons:



Unlocks and disarms the vehicle.



Releases luggage compartment lock.



Activates the convenience headlight feature and sounds the panic alarm.



Locks/double-locks and arms the vehicle.



To free the key, press the release button. When not required press and hold the button and fold the key into the transmitter housing.

**Note:** Key transmitters will not operate if a key is in the ignition switch.

Additional key transmitters can be obtained from your Jaguar Dealer/ Authorised Repairer and can be used provided a Dealer programmes them all to the vehicle.

**Caution:** Should a key transmitter be lost, a new one can be obtained and programmed to the vehicle by a Jaguar Dealer/Authorised Repairer, who will ask for proof of vehicle ownership. It is advisable to notify a Dealer as soon as a key transmitter is lost or stolen and have the remaining key transmitter(s) reprogrammed. This will then prevent the lost or stolen key transmitter from being used to disarm and unlock the vehicle.

**Note:** Dealers keep a log of all enquiries for replacement keys and notify Jaguar Cars Limited of any such requests.

### European and United Kingdom countries only

The alarm system will not be fully armed unless the vehicle is double-locked (refer to page 36).

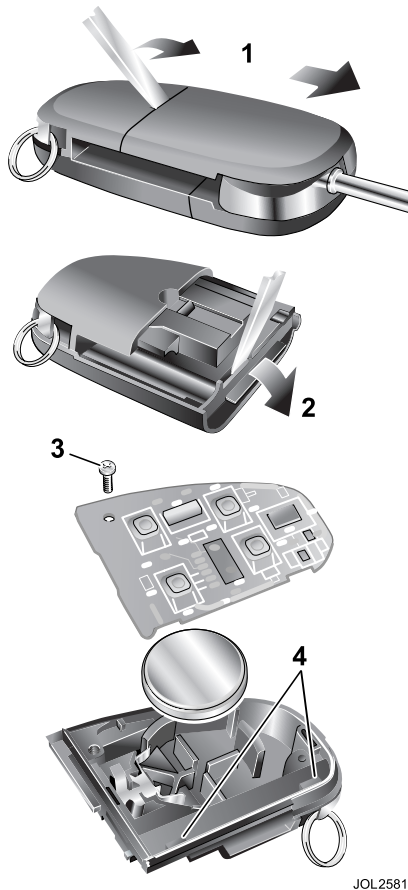
## Vehicle Security

### Care of transmitters

The transmitters must be treated with care and not exposed to extremes of heat, dust, humidity or be in contact with fluids. Do not leave the transmitter exposed to direct sunlight.

The battery is the only serviceable part.

### Transmitter Battery Renewal



JOL2581

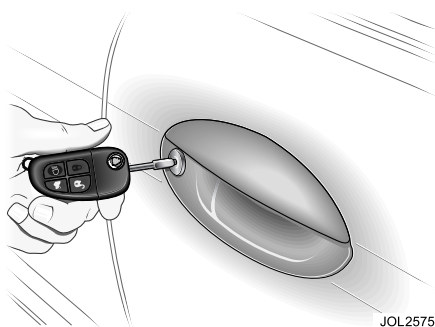
When the battery needs renewal there will be a significant decrease in the effective range of the key transmitter. To renew the battery, follow the procedure below:

- Insert a small, flat-blade, screwdriver at an angle of about 45 degrees, into the slot on the back of the key transmitter as shown (1). Apply light pressure to the screwdriver and lever the screwdriver forward to separate the two halves of the key transmitter. Pull the transmitter from the key body.
- Insert the screwdriver into the slot between the transmitter covers adjacent to the key stowage area as shown (2). Apply light pressure to the screwdriver and lever the screwdriver downward to separate the covers.
- Unscrew and remove the small screw (3) and remove the printed circuit board, taking care not to touch the battery terminals. Remove the battery and dispose of it safely.
- Fit a new battery cell, type CR2032 (available from your Jaguar Dealer/ Authorised Repairer), with the side marked with the positive symbol (+) downwards in the battery receptacle. Avoid touching the new battery as moisture/oil from the fingers can reduce the life of the battery and corrode the contacts.
- Replace the printed circuit board making sure to engage the board under the securing tabs (4), and secure with the screw.
- Refit the cover and click into place with thumb pressure.
- Slide the transmitter back onto the key body until it clicks into place.



## Door Locks

### Operation



All doors can be locked and unlocked either remotely using the key transmitter buttons, or by using the integrated key.

### Smart Locking

This feature helps prevent locking the key in the vehicle. If one of the front doors is open and an attempt is made to lock the doors using a door interior locking lever, all doors will become unlocked.

If the bonnet, luggage compartment or a door is open, the vehicle can only be locked from the outside by using a key in the driver's door lock.

It will not be possible to lock the vehicle with a key transmitter if the luggage compartment, bonnet or a door is open.

### Vehicle Locking and Unlocking

#### To lock the vehicle and set alarm

- Press the lock button on the key transmitter, or;
- Put the key in the driver's door lock, turn the key towards the rear of the vehicle and release.

The direction indicators will flash once, the security light on the centre console will start flashing and, after 20 seconds, the alarm will be set.

#### Note:

- *This will not arm the alarm system's intrusion sensors (where fitted). The intrusion sensors are only armed if the vehicle is double-locked, see page 36.*
- *Do not double-lock the vehicle If people or pets are to be left inside: their movement will trigger the alarm. If the vehicle is single-locked, the main alarm features will still function, but the intrusion sensors will be disarmed.*



#### WARNING:

**Do not leave people or pets in the vehicle on warm, sunny days: the interior temperature can rise rapidly to dangerous levels.**

If a door, the bonnet or the luggage compartment are open and an attempt is made to lock the vehicle, the direction indicators will flash five times and the horn will chirp twice as a warning that the vehicle is not secure.

**Note:** *Ensure that the manually operated rear windows are fully closed by hand (if fitted).*

## Door Locks

### To unlock the vehicle and disarm the alarm system using a key:

- Put the key in the driver's door lock, turn the key towards the front of the vehicle and release.

**Single-stage unlocking** - This unlocks all doors and the luggage compartment and turns on the interior lights.

**Two-stage unlocking** - This only unlocks the driver's door (and the Saloon luggage compartment) and turns on the interior lights. A second turn of the key is required to unlock all doors (and the Estate tailgate).

**European and United Kingdom countries only:** If the vehicle is unlocked with a key, a chime will sound when the driver's door is opened. This is a warning to indicate that the vehicle alarm will activate after 15 seconds unless the security system is disarmed by either pressing the unlock button on the key transmitter or by placing the key into the ignition switch and turning the key to position 'I'.

**Note:**

- *If a passenger door is opened during this period, before the vehicle is disarmed, the alarm will sound.*
- *The security system is not disarmed when unlocking with the key as additional protection against vehicle theft.*

**For all other countries:** Unlocking the vehicle disarms the alarm system.

### To unlock the vehicle and disarm the alarm system using a key transmitter:

- Press the unlock button on the key transmitter.

**Single-stage unlocking** - This unlocks all doors and the luggage compartment and turns on the interior lights.

**Two-stage unlocking** - This only unlocks the driver's door (and the Saloon luggage compartment) and turns on the interior lights. A second press of the button is required to unlock all doors (and the Estate tailgate).

### Direction indicator unlock alerts

The exterior direction indicators give two flashes as unlocking takes place.

**Note:** *The exterior direction indicators will flash five times if a fault exists with the intrusion sensing or inclination sensing systems.*

### Selecting single-stage or two-stage unlocking

The procedure for changing from single-stage to two-stage unlocking, or vice versa, is as follows:

- Press and hold the lock and unlock buttons on the key transmitter simultaneously for four seconds.

**Note:** *The direction indicators will flash twice to confirm the procedure was successful.*

To revert to the previous condition, repeat the procedure described above.

## Door Locks

### Global closing

**WARNING:**

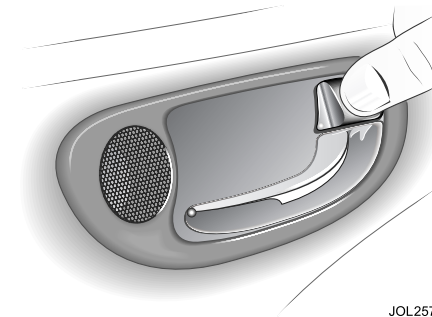
Ensure that all occupants are kept clear of the windows and sunroof aperture.

**Key in the driver's door:** Turn and hold in the lock position to close all the electrically operated windows (and sunroof, if fitted).

**Key transmitter:** Press and hold the lock button for longer than 1½ seconds to close all the electrically operated windows (and sunroof, if fitted). Pressing the button again while global closing is taking place will stop all movement.

**Note:** Ensure that manually operated rear windows are fully closed by hand (if fitted).

### Internal door locking and unlocking



JOL2577

To centrally lock all doors, press the lock lever on the driver's or front passenger's door.

To lock a rear door, press the lock lever.

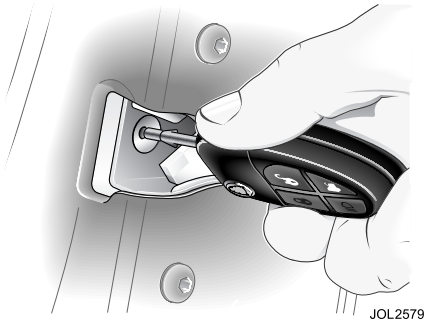
To unlock a door, pull the lock lever.

To open a locked door, pull the release handle.

The driver's or front passenger's door lock lever will unlock all doors.

## Door Locks

### Child Safety Locks



Child safety locks are fitted to the rear doors.

Open a rear door, insert the ignition key into the lock and turn the key towards the outside of the vehicle. This immobilises that door interior handle. Repeat this for the opposite rear door.

After setting the child lock the door(s) can only be opened using the exterior door handle.

To remove the child lock feature, open the door and using a key, move the control to its original unlock position.

### Double-locking (Where fitted)



#### **WARNING:**

**When the vehicle is double-locked the doors cannot be opened, either from inside or outside the vehicle, except with the correct key or key transmitter. Breaking a window will not allow a thief access by opening a door. Therefore, double-locking should not be used when persons are inside the vehicle as they will not be able to vacate, or be released from the vehicle if an emergency arises.**

**Note:** *It will not be possible to double-lock the vehicle if any door is open.*

With all doors closed, press the lock button on the key transmitter twice within three seconds to double-lock the vehicle and set the alarm. Alternatively, place the key in the driver's door lock, turn the key towards the front of the vehicle and then towards the rear within three seconds.

The exterior direction indicators will flash, once as locking takes place and a longer, second flash as double-locking takes place.

## Door Locks

---

### Auto-relocking

**Note:** *This feature is normally disabled. A Jaguar Dealer/Authorised Repairer can enable this feature, if required.*

This feature automatically centrally locks and arms the vehicle if the vehicle has been unlocked with the key transmitter:

- and no door has been opened for 45 seconds or,
- if the ignition remains off for 45 seconds.

### Drive-away door locking

With the ignition key at position 'II' and all doors closed, all doors will lock when the vehicle is moving above 8 km/h (5 mph). If the vehicle is stopped and a door is opened, provided the engine remains running, the car will relock when the door is closed and the vehicle is moving. If the car is unlocked this feature will only lock the doors again if the ignition is turned off and then back on.

All vehicles have the drive-away door locking feature installed during manufacture. this feature can be disabled, or reinstated, by a Jaguar Dealer/Authorised Repairer if required.

## Luggage Compartment Locks

### Luggage Compartment



JOL2580

If the vehicle alarm system is armed and the luggage compartment is opened using the key transmitter the alarm will not sound. The system will be rearmed when the lid is closed, provided the vehicle has not been disarmed.

### Saloon

To open the luggage compartment:

- Press the luggage compartment button (1) on the key transmitter or,
- With the vehicle unlocked, press the release button (2) on the luggage compartment lid.

The luggage compartment will be illuminated when the lid is opened.

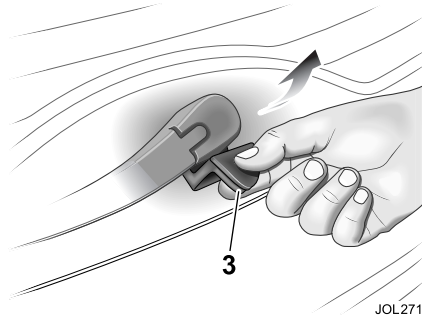
### Estate

Open the tailgate by pressing the release button (2) under the tailgate trim.

The tailgate can also be opened by pressing the luggage compartment button (1) on the key transmitter.

The luggage compartment will be illuminated when the tailgate is opened.

### Opening the tailgate glass



JOL2710



### WARNING:

**Do not drive with the tailgate glass open as exhaust fumes can be drawn into the passenger compartment.**

The tailgate glass can be opened separately from the complete tailgate. Press the release button (3), located on the reverse of the tailgate glass handle, and lift the tailgate glass.

**Note:** If required, the key transmitter can be reprogrammed so that button (1) will open the Estate tailgate glass, instead of the tailgate. Contact your Jaguar Dealer/Authorised Repairer to have this feature enabled.

## Alarm Systems

---

### Audible Signals

**Note:** *In certain countries, legislation prohibits the use of audible confirmation signals. In such cases, the sound source has been removed from the system.*

Two horn chirps will sound if an attempt is made to lock the vehicle with the key transmitter if a door, the bonnet or the luggage compartment is not fully closed.

### European/United Kingdom countries only

If the vehicle is unlocked with a key when it is armed, a chime will sound when the driver's door is opened. This is a warning to indicate that the vehicle alarm will activate after 15 seconds unless the security system is disarmed with either the key transmitter or by turning the ignition key to position 'I'.

If the vehicle is unlocked with a key when it is armed and any door other than the driver's door is opened, the alarm will sound immediately.

### Error Signal

The direction indicators will flash five times whenever one of the following conditions is present:

- Any door is open when an attempt is made to lock the vehicle.
- The luggage compartment or the bonnet is not properly closed when an attempt is made to lock the vehicle.
- If there is an electrical failure within the intrusion sensing or inclination sensing systems and an attempt to 'disarm' the security system is made.

### Full Alarm

Once armed, any of the following circumstances will create a full alarm state, sound the horns and flash the direction indicators:

- Opening a door, luggage compartment lid or tailgate (except with transmitter) or bonnet.
- Movement in the passenger area (if intrusion sensors are fitted).
- Using a key in the ignition switch which is not programmed to the vehicle.
- If, after 15 seconds from opening the driver's door with a key (European countries and United Kingdom only), the key is not inserted into the ignition switch.
- If the inclination sensor (if fitted) is activated.
- Any attempt is made to remove the radio.

### Security Features

The security system has been designed for:

- Prevention of theft of the vehicle.
- Prevention of theft of items from the vehicle.
- Personal security.

The security system is integrated with the vehicle electronics and engine management systems making it far more difficult for a thief to penetrate and steal the vehicle.

## Alarm Systems

### Intrusion sensing (Where fitted)

A further enhancement to the security system is the addition of intrusion sensing. When the vehicle is armed and double-locked, movement within the vehicle interior will activate the alarm. The luggage compartment can be unlocked, using the key transmitter button, without sounding the alarm. When the security system is disarmed the intrusion sensors are also disarmed.

**Note:** *Ensure that manually operated rear windows are closed before double-locking the vehicle. This will prevent intrusion sensing falsely sounding the alarm.*

### Inclination (tilt) sensing protection (Where fitted)

This feature protects against unauthorised towing away or jacking up. When the vehicle is double-locked and armed, any tilting of the vehicle, such as jacking or lifting, will activate the alarm.

**Note:** *If the vehicle is being transported by road, rail or sea, the vehicle should not be double-locked. This prevents the inclination system from being armed and sounding the alarm as the vehicle pitches and rolls.*

When the security system is disarmed the inclination sensor is also disarmed.

### Battery reconnection

If the battery has been disconnected and is subsequently reconnected, the alarm system will resume the same state as before the battery was disconnected.

If the alarm was sounding when the battery was disconnected it will sound again when the battery is reconnected and will need:

- The transmitter unlock button to be pressed or,
- Key placed in the ignition switch and turned to position 'I' to disarm it.

### Panic alarm

When in or near the vehicle, the alarm can be set off to deter a possible offender. For this feature to operate, the key must not be in the ignition switch.

Pressing the headlight convenience/panic button on the key transmitter three times within three seconds will activate the 'Panic Alarm'.

The alarm is stopped by:

- Putting the key into the ignition switch and turning to position 'II' or,
- Pressing either the transmitter panic button three times or one press of the unlock button.

### Battery backed sounder

In certain countries a separate, self-contained, battery backed sounder is fitted. This device will sound the full alarm if the vehicle alarm is activated or if the vehicle battery or the sounder is disconnected when the security system is armed.



## Occupant Protection

### Seat Belts

The use of front and rear seat belts is mandatory in most countries. Using seat belts saves lives. They should be worn by all occupants whenever the vehicle is in use, for maximum protection.

This vehicle has an individual lap/shoulder inertia reel seat belt for each occupant.

The inertia operating mechanism of the seat belts allows the wearers to move their upper bodies to reach various controls. The seat belts will lock automatically with accelerated body movement or in the event of emergency braking. Both front seat belts are equipped with pretensioners to assist restraint and safety belt force limiters to help minimise the risk of upper body injuries.

Seat belt height adjustment is provided for driver and front seat passenger to ensure that the seat belt webbing can be positioned to pass over the shoulder without pulling against the neck. It can be locked in any of five positions.

### Seat Belt Fitting



JOL2721

**WARNING:**

**Do not adjust the seat belt while driving.**

Draw the tongue of the seat belt over the shoulder, across the chest and push it into the buckle unit slot. A positive 'click' indicates that it is safely locked.

The use of comfort clips or devices that would create slackness in the seat belt system are not recommended.

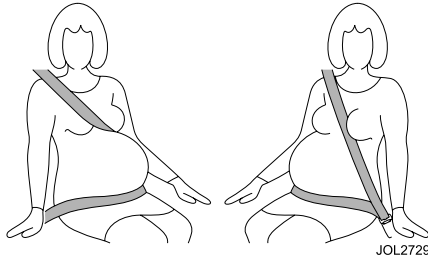
Always ensure that the webbing is midway between the neck and the edge of the shoulder. Correct tension is controlled by automatic retraction of the reel.

## Occupant Protection

A warning light on the instrument panel comes on when the driver's seat belt is not fastened. (In some countries a warning signal sounds for six seconds.)

**Note:** *If the vehicle is parked on unlevel ground, the seat belt mechanism may lock. This is not a fault: allow the seat belt to retract a small amount before gently easing it from its attachment.*

### Pregnant women



#### **WARNING:**

**Pregnant women must wear a correctly positioned seat belt; it is safer for mother and unborn child.**

There are many ways that the seat belt can be misused for the sake of comfort. However, there is only one way of wearing it safely.

The lap strap should be fitted comfortably across the hips, low beneath the pregnant abdomen. The diagonal part of the seat belt should be placed between the breasts, and worn above and to the side of the pregnant abdomen.

Never place anything between you and the seat belt in an attempt to cushion the impact in the event of an accident. It can be dangerous and reduce the effectiveness of the seat belt in preventing injury.

Always wear seat belts without slack or twists, since slack in a seat belt drastically reduces the effectiveness of the belt and the level of protection it can provide. For optimum protection, the seat belts should fit tightly around the body. Do not recline the front seats excessively, as the belts provide maximum protection when the seats are in the near upright position.

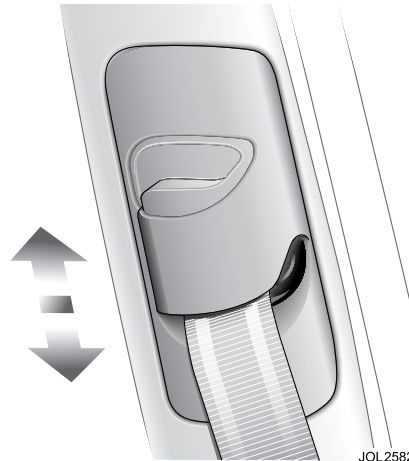


#### **WARNING:**

**Never wear just the lap strap of a lap/shoulder diagonal seat belt and never sit on the lap strap using just the shoulder strap. Both of these actions are extremely dangerous and may increase your risk of serious injury.**

## Occupant Protection

### Front belt height adjustment



JOL2582

**To operate:** Press the locking button and slide the anchorage point to the required position to ensure comfort and safety. Release the button and check that the anchorage point is locked.

Always check the anchorage point after the seat has been adjusted to ensure that the belt is correctly positioned.

### Inertia reel mechanism check

With the seat belt fastened, give the belt near the buckle a quick upward pull. The buckle must remain securely locked.

With the seat belt unfastened, unreel the belt to the limit of its travel. Check that the unreeling is free from snatches and snags and then allow the belt to FULLY retract.

Partially unreel the belt, then hold the buckle and give it a quick forward pull. The mechanism must lock and prevent any further unreeling. If a seat belt should fail any of these tests, contact your Jaguar Dealer/Authorised Repairer immediately.



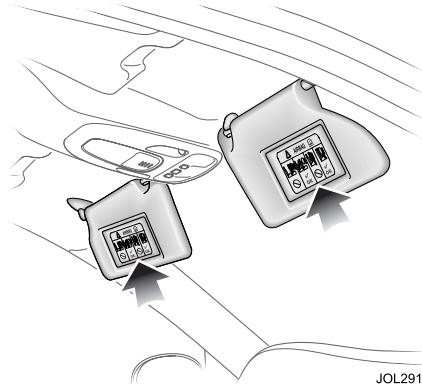
### WARNING:

- **Seat belts are designed to bear upon the bony structure of the body, and should be worn low across the front of the pelvis or the pelvis, chest and shoulders, as applicable: wearing the lap section of the belt across the abdominal area must be avoided.**
- **Seat belts should be adjusted as firmly as possible, consistent with comfort, to provide the protection for which they have been designed. A slack belt will greatly reduce the protection afforded to the wearer.**
- **Care should be taken to avoid contamination of the webbing with polishes, oils and chemicals, and particularly battery acid. Cleaning may safely be carried out using mild soap and water. The belt should be replaced if webbing becomes frayed, contaminated or damaged.**
- **It is essential to replace the entire assembly after it has been worn in a severe impact even if damage to the assembly is not obvious.**

## Occupant Protection

- No modifications or additions should be made by the user which will either prevent the seat belt adjusting devices from operating to remove slack, or prevent the seat belt assembly from being adjusted to remove slack.
- Belts should not be worn with straps twisted.
- Each seat belt assembly must only be used by one occupant; it is dangerous to put a belt around a child being carried on the occupant's lap.
- Should the seat belt not retract and remain at its static length, consult your nearest Jaguar Dealer/ Authorised Repairer immediately.
- If the seat belt requires replacement because of contamination or having been worn in a severe impact, then it should be renewed by a Jaguar Dealer/ Authorised Repairer only.

### Occupant Restraints



In order to provide optimum protection this vehicle is equipped with front and side airbags for driver and front seat passenger. These are supplemental restraint systems which are used in conjunction with the seat belts to help protect the driver and front seat passenger from upper body and head injuries.

Curtain airbags are fitted to the sides of the vehicle for front and rear occupants head protection in the event of a side impact.

To provide maximum protection, airbags open with a great deal of force and this force can pose a potentially dangerous risk in some situations, particularly when a front seat occupant is not properly restrained with the seat belt.

## Occupant Protection

Because airbags must inflate rapidly and with considerable force, there is the risk of death or serious injuries such as fractures, facial and eye injuries or internal injuries, particularly to occupants who are not properly restrained or sitting correctly at the time of the airbag deployment.

Airbags do not inflate slowly or gently and the risk of injury from a deploying airbag is greatest close to the trim covering the airbag.

The whole sequence of events from sensing the impact to full inflation of the bag takes place in a fraction of a second.

The driver's airbag is located in the centre of the steering wheel and the front seat passenger's airbag is located in the fascia panel immediately in front of the passenger seat.

The side airbags are fitted within the driver's and front passenger's seat outboard seat bolsters, and are identified by a label on the seat.

Curtain airbags are fitted above the doors, under the headlining. These deploy downwards to give protection to the heads of driver, front seat passenger and the outer rear seat occupants.

The driver's knee airbag is fitted to all four-wheel drive models. It is located in the panel below the steering column and will normally deploy at the same time as the driver's airbag.

The airbag warning light in the instrument cluster will be lit for approximately six seconds when the ignition is turned on. If the light remains on or flashes it indicates a fault within the airbag electrical circuits. Report the fault to a Jaguar Dealer/ Authorised Repairer immediately.

It is safe to drive the vehicle; however, in an accident the airbags may not operate.



### WARNING:

- **No objects whatsoever should be attached to the centre cover of the steering wheel, the passenger fascia panel or the sides of the driver and front passenger seats. Do not put anything on or over the airbag inflation area. Placing objects on or over the airbag inflation area may cause those objects to be propelled by the airbag into your face and torso causing serious injury.**
- **Safety experts recommend a minimum distance of at least 254 mm (10 inches) between an occupant's chest and a front airbag.**
- **Children 12 years old and younger can be killed or seriously injured by the airbag. The rear seat is the safest place for children.**
- **Do not try to put an adult seat belt around two children.**
- **Several airbag system components get hot after inflation. Do not touch them after they have deployed.**

## Occupant Protection

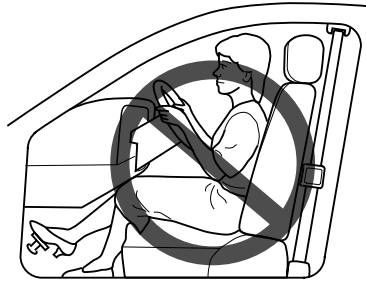
---

- **Child restraint anchorages are designed to withstand only those loads imposed by correctly fitted child restraints. Under no circumstances are they to be used for adult seat belts or for attaching other items or equipment to the vehicle.**
- **DO NOT install a rearward-facing child seat in the front passenger seat position. This is emphasised by the label displayed on the end of the fascia on the front passenger side, as shown on the illustration. If however, you must sit a child in the front passenger seat use only a forward-facing child seat with the passenger seat set fully rearward. Always follow the fitting instructions supplied with the appropriate child restraint system.**
- **Do not attach any objects whatsoever to the driver's knee airbag panel; it could cause injury in the event of a collision. Consult your Jaguar Dealer/Authorised Repairer before installing any accessories in the driver's fascia area (e.g. HANDS-FREE TELEPHONE KITS).**
- **To ensure that the side airbags are fully effective:  
DO NOT sit too close to, or lean against the door trim. The side airbag could injure you as it deploys from the side of the seat.  
DO NOT lean out of the window aperture.  
Only use JAGUAR APPROVED accessories (e.g. seat covers).  
Due to the function of the CURTAIN AIRBAG deployment, CONSULT your Jaguar Dealer/Authorised Repairer prior to installing any ACCESSORIES in the upper environment/pillar trim area (e.g. HANDS-FREE TELEPHONE KITS).**
- **If an airbag is inflated, the airbag will not function again and must be renewed immediately. If a new airbag is not fitted, the unrepaired area will increase the risk of injury in a collision.**

Airbag warning information is printed on the driver's and passenger's sunvisor. Airbag indicator light information is shown on page 50.

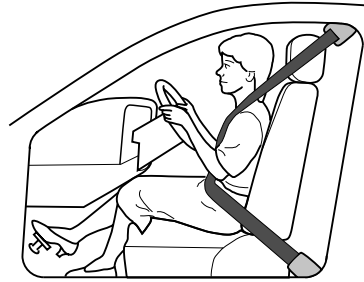
# Occupant Protection

## Seat positioning



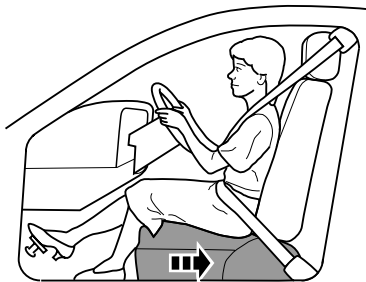
JOL2585

**Wrong:** Unbelted and too close.



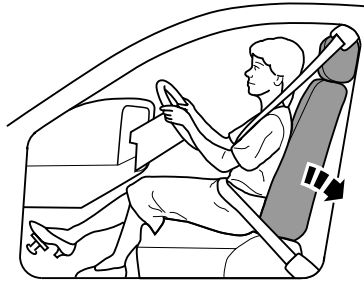
JOL2722

**Use Seat Belts.**



JOL2723

**Move Seat Rearwards.**



JOL2724

**Recline Back of Seat.**



JOL2725

**Tilt Wheel Down/Forwards.**



JOL2726

**Correct:** Belted and 254 mm (10 inches) or more away.

## Occupant Protection

---

**WARNING:**

**Driver and front seat passenger should always move their seats as far rearwards as is practical.**

Ideally, drivers should sit with at least 254 mm (10 inches) between the centre of their breastbone and the cover of the steering wheel airbag.

Since the risk zone at the time of deployment is the first 54 mm - 75 mm (2 to 3 inches) from the airbag cover, sitting back 254 mm (10 inches) provides a clear margin of safety. Very few drivers are unable to achieve and maintain that safety gap.

The vast majority of drivers who do not now sit that far back can change their position and achieve that distance.

- Move your seat back as far as you can while still comfortably reaching the pedals.
- Recline the back of your seat a few degrees from the upright position. If reclining the back of your seat makes it hard to see the road, raise the seat.
- Tilt the steering wheel/column downwards so as to point the airbag at your chest instead of your head and neck. Adjust the steering wheel/column fore/aft so that it extends towards the driver as little as possible, ensuring that the airbag has plenty of room to deploy.

**WARNING:**

**Do not attempt to service, repair or modify the airbag system or its fuses. All work on the airbag system, including renewal after deployment and renewal at the end of its service life, must be carried out by an authorised Jaguar Dealer/Authorised Repairer.**

In the event of the vehicle being dismantled, airbag module removal and disposal **MUST** be made by a qualified person.

After airbag deployment, it is normal to notice a smoke-like, powdery residue or smell the burnt propellant. This may consist of cornstarch, talcum powder or sodium compounds that result from the combustion process that inflates the airbag.

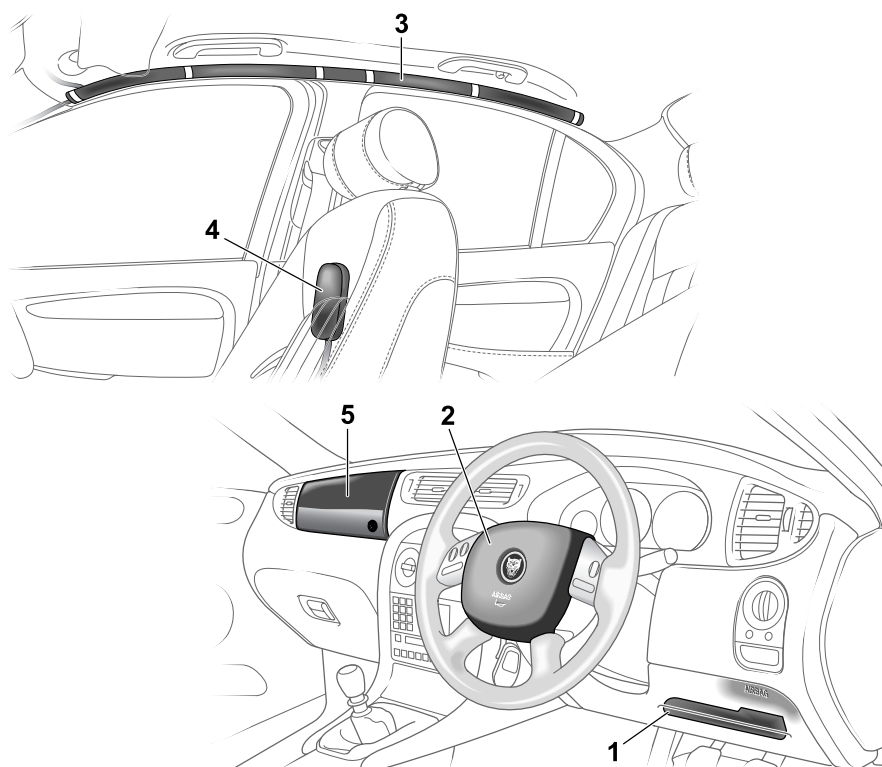
Small amounts of other chemicals may be present which may irritate the skin and eyes, but none of the residue is toxic.

While the system is designed to help reduce serious injuries, it may also cause minor burns, abrasions, swelling or temporary hearing loss.



## Occupant Protection

### Airbags



JOL3266

#### Airbag location

1. Driver's knee airbag (where fitted).
2. Driver's airbag.
3. Curtain airbag (left-hand side and right-hand side).
4. Seat mounted side airbag (left-hand and right-hand front seats).
5. Front passenger airbag.

#### Front airbags

With a front impact of sufficient force, the restraints system will trigger the front airbag(s) and seat belt pretensioners.

Both front airbags (2 and 5, above) use dual inflation technology which means that if activated, the bag(s) will deploy at either a normal or reduced level of inflation, depending on crash severity. The lower level is also selected if the driver is close to the steering wheel.

## Occupant Protection

The passenger seat is monitored by a seat weight sensor to determine the presence and weight of the front passenger.

In certain conditions, e.g. where no passenger is present, the appropriate airbags will be deactivated: in a collision these airbags would not be deployed.

**Note:** Front airbags are designed to inflate in frontal and near frontal collisions, not low speed impacts, roll-over, side-impact or rear-impact.

### Driver's knee airbag

The driver's knee airbag (1, see previous page) provides an additional method of restraining the driver in the event of a frontal or near-frontal collision.

The driver's knee airbag is fitted to all four-wheel drive models. It is located in the panel below the steering column and will normally deploy at the same time as the driver's airbag.



#### WARNING:

- **The driver's knee airbag will not deploy if the driver's seat is near to its full forward position. Do not sit too close to the steering wheel (refer to page 51).**
- **Do not attach any objects whatsoever to the driver's knee airbag panel; it could cause injury in the event of a collision. Consult your Jaguar Dealer/Authorised Repairer before installing any accessories in the driver's fascia area (e.g. hands-free telephone kits).**

### Occupancy sensing



The front passenger seat is equipped with an occupancy sensor. The sensor measures the weight on the cushion and changes the passenger airbag (5, see previous page) deployment status.

The occupancy sensor operates as follows:

Seat occupancy status	Passenger airbag status	Indicator light active
Completely empty	Deactivated	No*
Low weight occupant/object	Deactivated	Yes
Heavy occupant/object	Activated	No

\*It is possible to receive an intermittent indicator light with an empty seat condition. This is part of the system's adaptive behaviour, and does not affect the status of the passenger airbag. However, if the indicator light becomes permanently illuminated when the seat is definitely empty, then contact your nearest Jaguar Dealer/Authorised Repairer immediately.

## Occupant Protection

---

The airbag indicator light is located on the passenger fascia.

With the driver's and front passenger's airbag, the occupant, restrained by the seat belt, moves forward, the head and chest come into contact with the inflated bag. The airbags which then deflate rapidly, in a controlled manner, via vent holes, absorb the remaining energy of the impact.

If the airbags do not inflate in a collision it does not mean that something is wrong with the system; it means the forces of the impact were not of the type sufficient to cause activation. Front airbags are designed to inflate in frontal and near frontal collisions, not roll-over, side-impact or rear-impact.

In circumstances where the airbags are not deployed, protection is provided by the seat belts. The severity of the collision is a function of the relative speed and weight of the vehicles or objects colliding.

Thus, it is extremely important that occupants be properly restrained as far away from the airbag as possible while maintaining vehicle control.

### Side protection

The side protection system utilizes four airbags: one mounted in each of the front seats (4, see page 49), and two curtain airbags located in the upper environment just above the door opening (3, see page 49).

When the seat mounted side airbag inflates upon a vehicle side impact, it breaks through the seat bolster stitching, protecting the side of the rib cage of the driver or front seat passenger.

When the curtain airbag inflates upon a vehicle side impact, it breaks through the headlining and deploys downwards, giving head protection to front and rear seat occupants.

The airbags, in combination with the seat belts, can help reduce the risk of severe injuries in the event of a significant side impact collision.

In certain lateral collisions, the airbags on the side affected by the collision will be inflated even if the respective seat is not occupied.

Seat mounted side and curtain airbags are designed to inflate in a side impact collision, not roll-over, rear-impact, frontal or near-frontal collisions, unless the collision causes sufficient lateral deceleration.

## Child Safety

### Introduction



**Jaguar Cars Limited strongly recommends that at all times children should be carried in the rear seats.**

#### **WARNING:**

- **Extreme Hazard! Do not use a rearward facing child restraint on a seat protected by an airbag in front of it!**
- **Children must be restrained by a child safety restraint that is suitable for their weight and size. We recommend that a Jaguar approved restraint is used.**

In many countries legislation governs how and where children should be carried when travelling in a vehicle. It is the responsibility of the driver to comply with all regulations in force in the country where the vehicle is being used.

#### **WARNING:**

**It is important to read and understand all the information contained in this handbook relating to child safety before carrying a child in your vehicle.**

**If you are unsure about any aspect of this information, contact your Jaguar Dealer/Authorised Repairer.**

Make sure you read this entire Child Safety section, which contains general advice about the use of child restraints.

- Pages 55 to 56 give specific information about installing a non-ISOFIX child restraint.
- Pages 57 to 60 give specific information about installing an ISOFIX child restraint.

***Note:** Currently, ISOFIX restraints can only be installed in Saloon models. They cannot be installed in Estate models.*

#### **WARNING:**

**DO NOT install a rearward-facing child seat in the front passenger seat position since deployment of the passenger fascia airbag could cause death or serious injury to the child. This is emphasised by the label displayed on the end of the fascia on the front passenger side. If however, you have no alternative but to place a child in the front passenger seat, use only a forward-facing child seat with the passenger seat set fully rearward and in its lowest position. Always follow the fitting instructions supplied with the appropriate child restraint system.**

## Child Safety

### Summary of the Law

In all countries there are regulations governing the use of restraint systems for children and babies. Infants and children must be seated in an approved safety device, which is suitable for the weight and size of the child. A child restraint must meet the regulations enforced in the country where it is used and the approval number and the weight category have to be clearly labelled on the seat.

Generally, the following law applies:

- Children under three years of age must be secured in an appropriate child restraint.
- Children aged 3 to 11 years and less than approx. 1.5 metres (5 ft) in height should be secured in an appropriate child restraint if available. Otherwise, the adult seat belt must be used.
- For children aged 12 or 13 years, or a younger child of approx. 1.5 metres (5 ft) or more in height, the adult seat belt must be used.
- In all three cases above, it is the responsibility of the Driver to ensure that the safety of children travelling with them is adequately provided for.
- From 14 years of age, all passengers should use the adult seat belts provided and it is their own responsibility to do so.

**Caution: Failure to comply with the law could result in prosecution and could affect insurance cover. Remember the driver has responsibility for other passengers under 14 years and the careful stowage of luggage and loose items.**

Holding a baby or child in a person's arms is **not** a substitute for a child restraint system. Do not use a seat belt to restrain more than one person.

In an accident, a baby or child held in a person's arms can be crushed between the vehicle's interior and a restrained person.

The child can also be injured by hitting the interior or by being thrown from the vehicle during a sudden manoeuvre or impact.

Injury can also be caused if the baby or child is allowed to ride on the seat unrestrained. Other occupants should also be properly restrained to help reduce the chance of injuring the child.

Do not allow children to stand in the space between the seats, or on the passenger seats.

### Child Seat Selection

Before you buy a child seat, it is important to note that your child's weight, rather than age, determines the type of seat that is required.

Child safety seats are divided into five categories, by the weight range for which they are suitable. Refer to the table on page 55.

**Jaguar recommends that a rear-facing seat with a harness is used for as long as your infant's development allows.**

Do not use a forward-facing seat until your child is above the minimum weight of 9 kg (20 lb) and able to sit up unaided. Up to the age of two, a child's spine and neck are not sufficiently developed to avoid injury in a frontal impact.

## Child Safety

---

Jaguar's recommended and approved Group 1 ISOFIX seat is the Britax Roemer 'Duo Plus' (refer to page 57). The Jaguar ISOFIX anchorage kit has to be installed by a Jaguar Dealer/Authorised Repairer, to enable the ISOFIX restraint to be fitted. Currently, the anchorage kit is only available for Saloon models.

When choosing a child seat, it is also important to consider how you plan to use it. For longer journeys, a reclining seat may offer added comfort and support for a sleeping child, while a light-weight design may be easier to lift in and out of the vehicle. It is also worth noting that some children are more suited to a harness-style seat than a booster seat during their toddler years.

Because child seats vary in shape, certain designs may be more stable when mounted on the outer rear seating positions, rather than in the centre. Always check that the child seat can be mounted securely in the required position: if in doubt, speak to your Jaguar Dealer/Authorised Repairer.

We strongly advise that you do not buy or use a second-hand child seat. The seat may have been used inappropriately, or involved in an accident. In such circumstances, the seat may not protect your child.

### **Infant safety**

Babies and small children who cannot sit up by themselves should be carried in an approved rear facing infant carrier, which should always be installed in a rear seating position.

## Child Safety

### Child Seat Positioning

Suitability of each passenger seat position for the carriage of children up to 12 years of age (or 1.5 m tall) and the installation of child restraint systems.

Mass Group (with approximate age) as indicated on child restraint	Vehicle Seating Position		
	Front Passenger*	Rear Outboard	Rear Centre
<b>0</b> = Up to 10 kg (22 lb) (birth to 10 months)	<b>X</b>	<b>U</b>	<b>U</b>
<b>0+</b> = Up to 13 kg (28 lb) (birth to 18 months)	<b>X</b>	<b>U</b>	<b>U</b>
<b>I</b> = 9 to 18 kg (20 - 40 lb) (9 months to 5 years)	<b>UF</b>	<b>U &amp; L</b>	<b>U</b>
<b>II</b> = 15 to 25 kg (33 - 55 lb) (4 to 7 years)	<b>U</b>	<b>U</b>	<b>U</b>
<b>III</b> = 22 to 36 kg (48 - 80 lb) (6 to 12 years)	<b>U</b>	<b>U</b>	<b>U</b>
<b>Key:</b> <b>U</b> Suitable for 'Universal' category restraints approved for use in this mass group. <b>UF</b> Suitable for forward-facing 'Universal' category restraints approved for use in this mass group. <b>L</b> Suitable for particular 'vehicle specific' child restraint given below. These restraints may be of the 'specific-vehicle', 'restricted' or 'semi-universal' categories. <b>X</b> Seat position not suitable for child restraint in this mass group. <b>Note:</b> * When installing child restraints, Jaguar recommends that the front passenger seat be positioned fully rearward with the cushion adjusted to its lowest position. Also the backrest must be set as far forward as possible, or adapted to the child restraint, as required. The seat belt height adjustment should also be set to its lowest position. <i>The safest place to transport children is the rear seat.</i>			
Type L Child Restraint = Britax Roemer 'Duo Plus' ISOFIX Group 1 restraint - 'specific-vehicle' restraint approved by Jaguar Cars Limited (available for Saloon models only).			

#### Securing child restraints with an adult seat belt

Always ensure that child restraint assemblies are fitted in strict accordance with the child restraint manufacturer's instructions. Keep the fitting instructions for future reference.

The following checks should always be carried out:

- Fit the child seat in the correct position and secure with the adult seat belt in accordance with the manufacturer's instructions. If necessary, remove the headrest to accommodate a larger child seat.

## Child Safety

- Make sure the child seat is fitted firmly to the car seat. There should not be excessive forward or sideways movement.
- Regularly check and refit the child seat, to ensure there is no slack in the installation.
- The seat belt must not be twisted and the buckle must not rest on the child seat frame, as it may snap open in an accident.
- Never modify the seat, or install it differently to the instructions.
- Never modify the seat harness or buckles, as this may affect the quick release mechanism.
- Always secure your child correctly, even for the shortest journey.
- Follow the seat manufacturer's instructions for harness adjustments.

Always secure an unoccupied child seat safely. In an accident, an unsecured child seat may pose a risk to the vehicle's occupants.

### Safe Use of Child Restraints

Ensure there is no slack in the webbing and the restraint fits the child snugly across the rib cage and hips. These are the parts of the body most able to take the force of an impact.

- Ensure the path and position of an integral harness across the shoulders is appropriate for your child's development - consult the manufacturer's instructions.
- The lap strap should pass across the top of the child's thighs, bearing on the pelvis, not the abdominal area.
- Adjust the harness every time, so that one or two fingers only can be inserted between the child and harness. Different clothing on a child can make a difference to the correct fitting of the harness.
- Make sure the harness webbing is not twisted.

### Booster seats

If a booster seat is used, position the lap section of the adult seat belt over the child's pelvis. The diagonal seat belt should rest on the child's shoulder, not the neck.

### Non-ISOFIX Check List

Follow the check list each time your child travels in the vehicle:

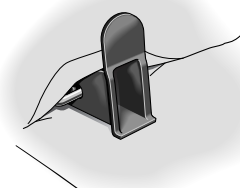
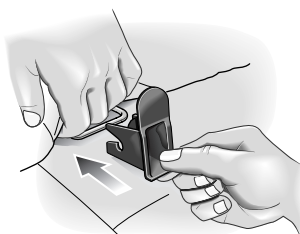
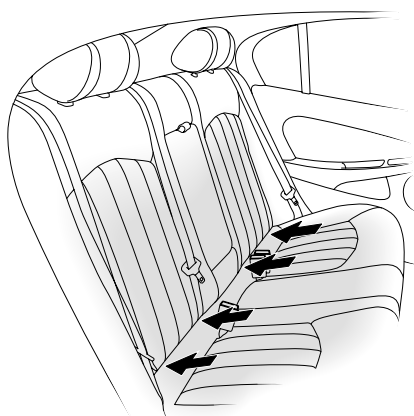
- Carefully follow the instructions provided by the manufacturer of the restraint system.
- Always use the appropriate child restraints and adjust harnesses for every child, every trip.
- Avoid dressing your child in bulky clothing and do not place any objects between the child and the restraint system.
- Regularly check the fit of your child seat and replace seats or harnesses that show signs of wear.
- Ensure that you have removed all slack from the adult seat belt.
- No child seat is completely child-proof. Encourage your child not to play with the buckle or harness.
- Never leave a child unsupervised in the vehicle.
- Activate the rear door child safety locks (see page 36).



## Child Safety

- Ensure your child does not exit the vehicle from the side where there is traffic.
- Set your child a good example - always wear your seat belt.

### ISOFIX Child Restraints (Saloon models only)



JOL2592

Only the Britax Roemer 'Duo Plus' ISOFIX restraint is approved by Jaguar for use with this system. An ISOFIX anchorage kit must be fitted to your vehicle before the ISOFIX seat can be installed.

These brackets must be supplied and fitted by your Jaguar Dealer/Authorised Repairer. The ISOFIX anchorage kit and the ISOFIX seat cannot be installed in Estate models.

The ISOFIX system allows an ISOFIX child seat to be secured directly and easily to the vehicle body without the use of adult seat belts.

Many injuries to children in accidents are caused by the incorrect fitting and tensioning of the adult seat belts, which are normally used to secure child seats. The ISOFIX system reduces the likelihood of incorrect fitting and is also quicker and simpler to use.

The ISOFIX system uses two anchorage loops and a top tether bracket fixed to the vehicle body. The ISOFIX child seat has two retractable lower catches that lock onto the anchorage loops and a strap that clips onto the top tether bracket.

The child seat has a quick release mechanism to allow it to be removed easily.

The anchorage loops are accessible through the gap between the rear seat back and cushion for both outer seat positions. Removable plastic guides are supplied with the ISOFIX seat to allow the seat to be fitted easily.

**Note:** To ensure the ISOFIX child seat is installed safely, read all the information provided on pages 57 to 60.

## Child Safety

### Fitting the ISOFIX plastic guides

The seat anchorage loops (which must be supplied and fitted by a Jaguar Dealer/ Authorised Repairer) are attached to the panel immediately behind the rear seats in the gap between the seat cushion and seat back (see previous illustration).

Open up the gap between the seat cushion and seat back to expose an anchorage loop. Locate the cut-outs at the rear of the guide onto the anchorage loop and push the guide fully in until it clips in place on the anchorage loop.

Fit the second guide.

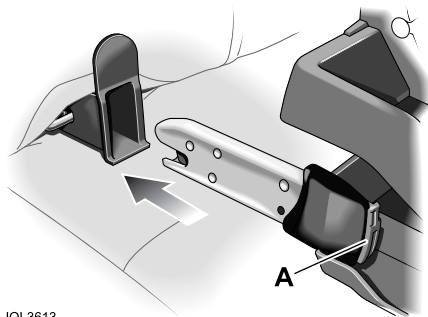
The plastic guides make it easier to fit the child seat and avoid damage to the vehicle's seat covers. If correctly fitted, the guides will normally remain in place when the child seat is removed.

Pull out the guides to remove.

The plastic guides must be removed before folding down the seat backs.

Always ensure the child seat anchorage legs and the vehicle anchorage loops are kept clean and free of dirt.

### Installing the ISOFIX seat



JOL3613

**Caution: Always follow the manufacturer's instructions supplied with the ISOFIX child seat.**

**The following is to be considered only as a guide.**

1. ISOFIX seats can only be installed in the rear outboard seating positions.
2. Make sure the adult seat belts and buckles do not become trapped behind the child seat.
3. Make sure there is nothing obstructing the seat mounting mechanism at the anchorage points.
4. Release the green lever on the rear of the seat and fully extend the two attachment legs on the child seat. Ensure the hook at the end of each leg is open.
5. Position the attachment legs just in front of the plastic guides (see illustration on this page). Press in the green locking button (A) on one of the anchorage legs and push the anchorage leg through the plastic guide to engage with the vehicle's anchorage loop. There should be an audible 'click'.
6. Repeat Step 5. for the seat's second anchorage leg.
7. Using firm and even pressure on both sides, push the child seat rearwards until it is secured firmly against the vehicle seat back. Make sure you do NOT trap the top tether strap behind the child seat.
8. Attach the top tether (refer to page 59).
9. As a final check, firmly pull both sides of the seat to confirm that it is correctly locked in position.

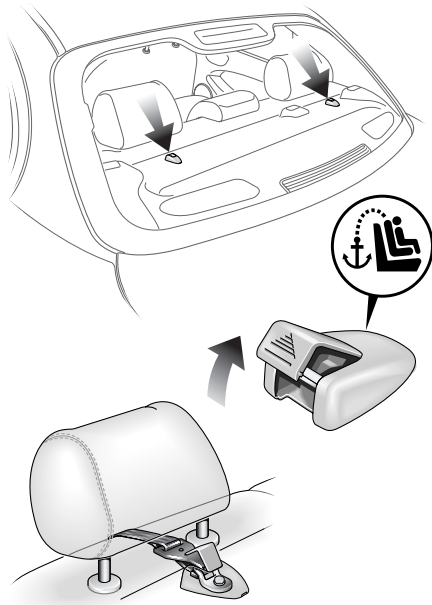
## Child Safety



### WARNING:

The top tether must always be used to secure the ISOFIX child seat.

### Child restraint top tether anchorages and brackets



JOL2594

The top of the child seat is connected by a short strap to the top tether bracket to prevent the seat from rotating about the lower anchorages. The top tether brackets are positioned on the rear parcel shelf, under access covers, at the centre-line of the outboard rear seating positions.

Pass the top tether strap under the vehicle rear head restraint to connect to the top tether bracket on the parcel shelf. Adjust the length of the top tether strap to hold the top of the child seat against the vehicle seat back.

Make sure the child seat is securely fitted, and follow the ISOFIX check list.



### WARNING:

Child restraint anchorages are designed to withstand only those loads imposed by correctly fitted child restraints. Under no circumstances are they to be used for adult seat belts or for attaching other items or equipment to the vehicle.

Australia only: Australian vehicles are fitted with three top tether brackets as standard. Before the ISOFIX child seat can be used, it will still be necessary for your Jaguar Dealer to fit the ISOFIX lower anchorage loops. The ISOFIX child seat cannot be fitted in the central seat position.

### Removing the ISOFIX seat

To remove the ISOFIX child seat, undo the top tether strap. Press the green locking button on each side of the seat to release the anchorage legs and lift the child seat from the vehicle.

## Child Safety

### ISOFIX Check List



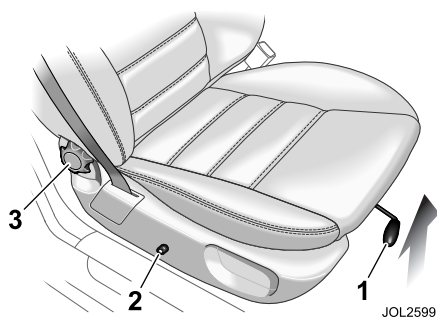
JOL2596

Follow the check list each time your child travels in the vehicle:

- Regularly check the fit of your child seat and replace seats or harnesses that show signs of wear.
  - No child seat is completely child-proof. Encourage your child not to play with the buckle or harness.
  - Never leave a child unsupervised in the vehicle.
  - Activate the rear door child safety locks (see page 36).
  - Ensure your child does not exit the vehicle from the side where there is traffic.
  - Set your child a good example - always wear your seat belt.
- **Always attach the top tether when installing the ISOFIX seat.**
  - Carefully follow the instructions supplied with the child seat.
  - Always give the ISOFIX seat a final pull to ensure the lower anchors are secure, even if the green buttons indicate that the seat connectors are latched.
  - Always use the appropriate child restraints and adjust harnesses for every child, every trip.
  - Make sure your child falls into the correct weight range for the seat (9 - 18 kg [20 - 40 lb]).
  - Avoid dressing your child in bulky clothing and do not place any objects between the child and the restraint system.

## Seats

### Manual Seat Adjustment

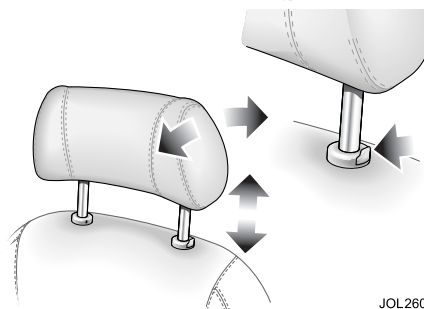


**Forward and rearward:** Each front seat can be adjusted forward and rearward by lifting the locking bar (1), situated below the front of the seat cushion and sliding the seat to the required position. After releasing the locking bar, slight additional seat movement may be necessary to engage the locking mechanism.

**Height adjustment:** The driver's seat has a switch (2) to adjust the seat for height. The whole seat cushion will raise or lower by moving the switch up or down.

**Back adjustment:** To alter the angle of the front seat squab, lean forward slightly to relieve body pressure from the seat back and rotate the handwheel (3) in the required direction.

### Head Restraints



#### **WARNING:**

**Adjust the head restraint so that it is just behind your head and never behind your neck.**

Each front head restraint can be adjusted to give the correct height for the seat occupant. They may also be manually tilted.

**To lower:** Press the lever in the escutcheon and push the head restraint into the seat back to the required height.

**To raise:** Pull the head restraint upwards.

#### **Rear centre head restraint (Where fitted)**

The rear centre head restraint has two positions only. It can be stowed within the seat back when not in use and should be extended when an occupant is in the centre seat.

## Seats

### Electrical Seat Adjustment

(Where fitted)



#### WARNING:

- Do not make adjustments when the vehicle is moving.
- Front passengers must not ride with the seat fully reclined.

Depending upon the vehicle specification, seats have manual and/or electrical adjustment.

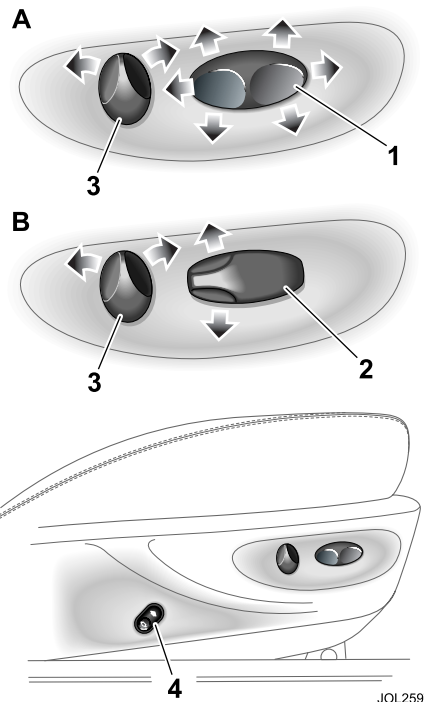
A key does not have to be in the ignition switch for seat adjustment.

### Front Seat Controls

There are two different types of switch for controlling the seat base, **A** (10-way adjustment) or **B** (4-way adjustment).

1. Controls the seat position. To move the seat forward or rearward - move the switch forwards or rearwards. Front/rear of cushion raise/lower - move the front or rear of the switch up or down. If both front and rear are raised or lowered together, the whole seat cushion will raise or lower.
2. Controls the seat height. Pull the switch up or down to raise or lower the seat.
3. Controls the seat back angle. Move the switch rearwards to recline or forwards to raise the seat back angle.

If the seat has 10-way adjustment, switch (4) adjusts lumbar support. Press the top of the switch to increase lumbar support, press the bottom of the switch to decrease lumbar support.



JOL2597

### Passenger Seat

If the passenger seat has two-way electrical adjustment, it will be fitted with switch (4). This adjusts the passenger seat back angle.

The passenger seat can be moved fore and aft manually by lifting the locking bar under the front edge of the seat, refer to the illustration on page 61.

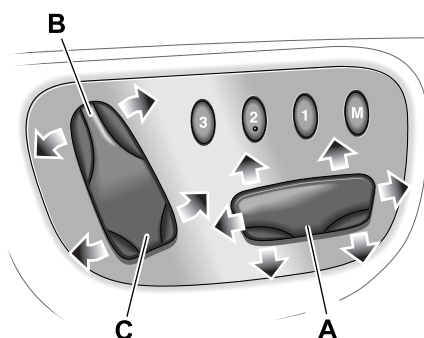
## Seats

### Driver's Seat Memory

This facility allows the positions of the driver's seat and door rear view mirrors to be memorised and recalled for different occupants.

Up to three settings can be stored. The switch pack is located towards the front of the driver's seat base, next to the driver's door (as shown in the illustration on page 62).

#### Setting a memorised position



JOL3360

- A.** Controls the seat position. To move the seat forward or rearward - move the switch forwards or rearwards. Front/rear of cushion raise/lower - move the front or rear of the switch up or down. If both front and rear are raised or lowered together, the whole seat cushion will rise or fall.
- B.** Controls the seat back angle. Tilt the top of the switch rearwards or forwards to recline or raise the seat back angle.
- C.** Controls the lumbar support (where fitted). Push the bottom of the switch rearwards or forwards to increase or decrease lumbar support.

#### To store a driving position in the memory:

1. Adjust the seat and door mirrors to the desired positions.
2. Push the memory button '**M**' (see previous illustration). A chime will sound.
3. Within 5 seconds of pushing the '**M**' button, push button '**1**', '**2**' or '**3**' to memorise the configuration. A double chime will sound, and, if the ignition is ON, a message will be displayed in the message centre to indicate that the procedure was successful.

By repeating these three steps and pressing the unused buttons, two more driving positions can be stored in the memory.

To set a new driving position, adjust the driver's seat and door mirrors and perform steps 2 and 3. The previous memory will be erased and the new position will be stored.

**Note:** Button '**M**' is concave, and there is a raised point on button '**2**'. This allows the buttons to be identified by touch.

## Seats

### Recalling a memorised position

Ensure the gear selector lever is in position 'P' and the handbrake is on.

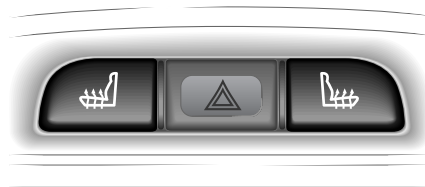
Press and release the appropriate memory button ('1', '2' or '3'). The seat and door mirrors will move automatically to the memorised position.

If the door mirror or seat position switches are operated whilst the seat and door mirrors are repositioning, the process will be cancelled. Press the memory button again to resume.

**Note:** The memory function will only operate if:

- The handbrake is on (manual transmission only).
- Automatic transmission is set to 'P'.

### Front Seat Heaters (Where fitted)



JOL2602

Each front seat back and cushion has a heater controlled by a switch on the centre console.

With the ignition switch in position 'II', press the switch to turn the heaters on.

The first press will heat the seat to a high temperature setting, a second press will heat the seat to a lower setting.

A third press will turn the seat heater off.

A light within the switch will show when the heater is ON, red for the high heat setting and yellow for the lower setting.

The heater will automatically switch OFF:

- After it has been on for 10 minutes.
- If the ignition is turned OFF.
- If a fault is detected.

The heater will maintain a preset temperature while it is switched on.

Storage of the vehicle in a heated garage, body heat or warm ambient temperatures may prevent operation of the seat heater.



## Clock

### Clock Adjustment

The position of the digital clock depends on the equipment fitted to the vehicle.

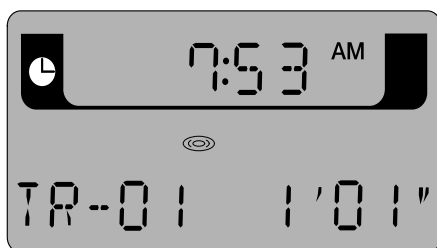
If a touch-screen is fitted to the vehicle, the clock will be incorporated in the touch-screen display.

If the vehicle is not equipped with a touch-screen, the clock is included in the audio display.

#### Note:

- For more information concerning the operation of the audio system controls, refer to the audio systems handbook.
- For more information concerning the operation of the touch-screen, refer to the Jaguar Touch-screen Handbook.

### Vehicles without touch-screen



JOL2486

If the vehicle is not fitted with a touch-screen, adjust the clock using the audio system controls as follows:

1. Press and hold **MODE** until **TA VOLUME** is displayed.
2. Repeatedly press **MODE** until **CLOCK SET** is displayed.
3. To select 12 or 24 hour format, press the seek up/seek down keys.
4. Press **MODE** to continue.

5. If 12 hour is selected, use # to denote AM or PM.
6. Use the key pad to enter the time in four digit format.
7. To exit, press and hold **MODE** until the display reverts to audio mode.

### Vehicles with touch-screen



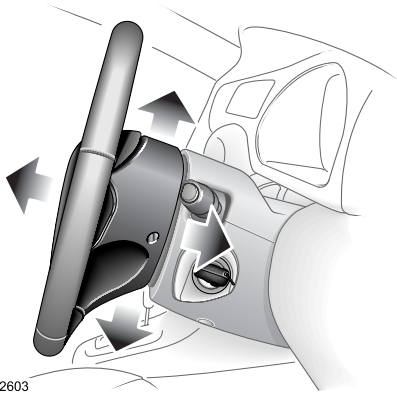
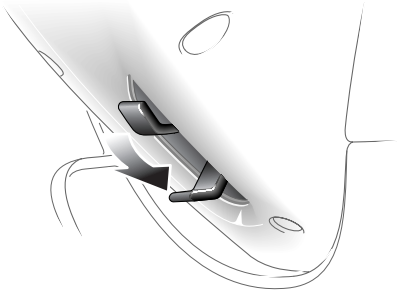
JOL2487

If the vehicle is fitted with a touch-screen, the clock is adjusted as follows:

1. Press the **MENU** button on the touch-screen control panel. The system menu screen will be displayed.
2. Touch the **System Setup** button on the **MENU** screen.
3. Touch the **Set Clock** button on the **SYSTEM SETUP** screen.
4. Clock adjustment is made by touching the hour or minute, up or down arrow buttons.
5. Touch the **12/24** button to select twelve or twenty-four hour display.
6. Confirm your setting by touching **Set**.

## Steering Column

### Column Release Lever



JOL2603

**WARNING:**

**Do not adjust the steering column whilst driving.**

The steering column can be adjusted for reach and height.

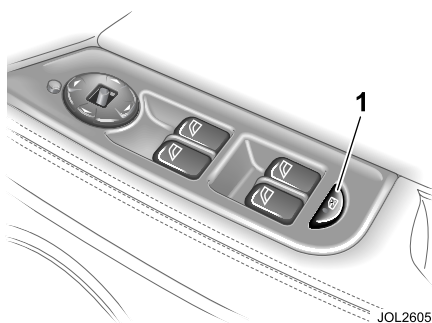
Holding the steering wheel, push the release lever fully downwards.

Move the steering wheel up or down and in or out as required, for a comfortable, safe driving position.

After adjustment, fully raise the lever to lock the steering wheel in position.

## Door Windows

### Window Switches



Front windows on all models are electrically operated. Depending on the model, rear windows can be either manually or electrically operated.

### Electric Window Operation

Switches on the driver's door switch pack control the driver and passenger door windows.

The passengers are provided with a switch to control their door window only.

These switches will only operate the window when the ignition switch is in position 'II'.

If rear electrically operated windows are fitted, button (1) immobilises the rear window switches preventing passengers from operating their windows. The button integral red light will be lit when the rear windows cannot be operated by the rear seat passengers.

**Note:** If a resonance (booming sound) occurs with the rear windows open, lower the front windows about 15 mm (0.5 inches). This will eliminate the noise, by altering the frequency of the air moving in and out of the vehicle.



### WARNING:

- When raising windows ensure all occupants are clear.
- When leaving the vehicle take the ignition keys to prevent misuse of the window switches by remaining occupants, especially children.

### Operation

To lower a window, press down the switch to its first position and hold until the desired position is reached, then release.

To close a window, pull the switch upwards to its first position and hold until the desired position is reached, then release.

If the switches are held for longer than 6 seconds, for example, when attempting to overcome frozen or jammed windows, the window drive will be switched off for a few seconds to protect the window drive motors.

### One-touch operation

Each window has a 'one-touch' facility enabling the occupant to fully open or close the window in one quick movement. Pulling, or pressing, the switch to its second position and quickly releasing will close or open the window in one movement. Window travel can be stopped at any time by pressing the switch again.

## Door Windows

### Window Anti-trap Feature

Each electrically operated window has an anti-trap feature. If the upward movement of the window detects an obstacle the anti-trap feature will immediately stop the window closing, then move it downwards for a short distance.



#### **WARNING:**

**If the battery is disconnected or discharged the window anti-trap feature is lost. When the battery is reconnected or recharged the window anti-trap feature must be reset.**

#### **Resetting the electrically operated windows anti-trap feature**

- Fully close the window, hold the switch in the close position for two seconds and then release the switch. Wait for two seconds, do not open the window.
- Again, select the same window to close, holding the switch for a further two seconds.
- Check to confirm the operation by opening the window and then use one touch operation to close the window.
- Repeat for the remaining electrically operated windows.

### Overriding the anti-trap protection

The anti-trap system will also stop the window closing if a blockage or resistance occurs e.g. in the window guide channels. Typically this might be due to icing in winter but could also be caused by damage or misalignment of the guide channels or seals.

To override the anti-trap action:

- After the initial attempt to close the window, operate the close switch a second time.
- When the window has reversed from the blockage, operate the switch (within 10 seconds) until the window stops again (it will not reverse on the third attempt).
- Immediately operate the close switch again. The window will now move up a short distance with increased force to override the blockage.
- Repeat the override action until the window has closed. Each time the window stops, the switch must be operated immediately to initiate further override action.

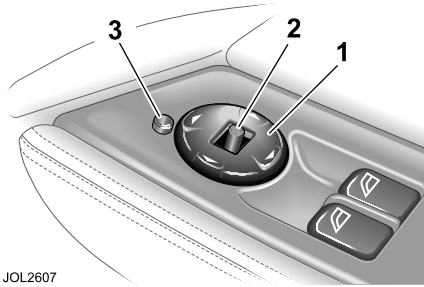
If this procedure fails to move the blockage, the anti-trap feature will be lost and must be reset (see first column) after the blockage has been cleared.

### Thermal overload

If the windows are repeatedly opened and closed (e.g. by a child), a protection system will deactivate window operation for a short period to avoid overheating of the window motors.

## Mirrors

### Door Rear View Mirrors



JOL2607

Both door mirrors are adjusted from the driver's door switchpack. The four-way adjustment button (1) moves the mirrors to the required position. The selector switch (2) selects the mirror to be moved, left for the left-hand side mirror and right for the right-hand side mirror. When the selector switch is in the centre position, adjustment to either mirror is inhibited.

Each mirror housing, except the power fold back door mirror, is designed to pivot against the vehicle upon impact.

To return the mirror to its normal position, reposition the housing until it locks into place.

#### Mirror heating

The door mirrors have heating elements which work when the rear screen heater is switched ON. The mirror heater will clear all ice from the mirror surface.

**Caution: Do not use a scraper to remove ice from the mirrors as this will damage the surface.**

#### Power fold back (Where fitted)

To assist parking by reducing the overall vehicle width, the door mirrors can be folded inwards.

The button (3) is located in the driver's door window switchpack and will operate the mirrors when the ignition switch is in any position except OFF.

To fold the mirrors inwards press the button. A second press of the button returns the mirrors to their normal driving position.

#### Note:

- *If the button is pressed repeatedly, a thermal cut-out will prevent damage to the vehicle's electronics. If this occurs, wait for five minutes for the cut-out to reset, before operating the button.*
- *If the thermal cut-out operates and leaves the mirrors in the folded position, the mirrors can be folded outwards manually.*
- *If the door mirrors are repositioned manually (or are knocked out of position), the mirror head will be loose. To re-engage the mechanism, power the mirror to the foldback position, then outwards to the drive position.*



#### WARNING:

**Do not drive the vehicle with the door mirrors in the folded position, except when parking.**

## Mirrors

### Interior Rear View Mirror



JOL2610

Interior mirrors are either manual dip or electrochromic.

#### Manual dip mirror

The interior rear view mirror can be dipped to prevent glare from a following vehicle's headlights by pulling lever (1). Pushing the lever returns the mirror to its daytime setting.

**Adjusting the mirror** - The mirror is mounted on an adjustable arm (2) which can be angled to vary mirror height and lateral position.

Hold the arm and move to the desired position and then readjust the mirror itself.

### Interior rear view mirror - electrochromic



JOL2611

Push the switch in and the electrochromic rear view mirror darkens automatically to prevent glare from a following vehicle's headlights. The mirror clears when light levels return to normal. The mirror also clears when reverse gear is selected.

Push the switch again and the glare-reducing effect of the mirror is switched off so that a clear reflection is given.

#### Note:

- Should a mirror assembly become detached from the windscreen, it must be refitted by a Jaguar Dealer/ Authorised Repairer.
- Ensure that the windscreen in front of the mirror is kept clean. Where fitted, the moisture sensor for wiper operation is located to the front of the mirror casing. Any dirt may affect the operation of this sensor.

## Luggage Compartment

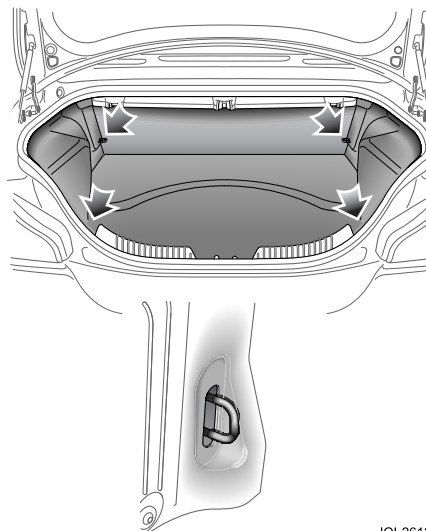
### Loading the Vehicle



#### WARNING:

- Locate heavy loads in the luggage compartment towards the front of the vehicle and secure them to stop them sliding. Loose items can be a hazard.
- Do not drive with the luggage compartment lid or tailgate open as exhaust fumes can be drawn into the passenger compartment.

### Luggage Tie-down Loops - Saloon



JOL2613

Four metal loops are positioned in the luggage compartment for attaching straps to secure loads and prevent them from sliding over the luggage floor.

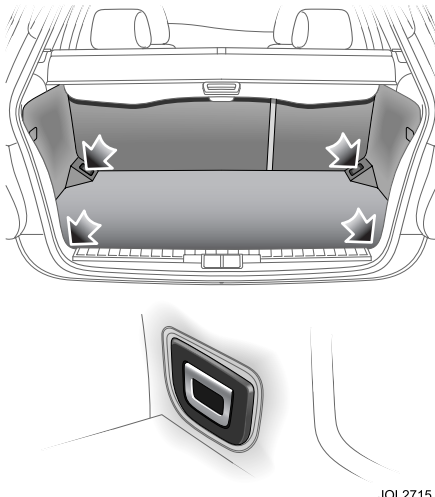
These loops are not to be used for securing passengers or animals nor as anchorages for child restraints.

A range of Jaguar storage accessories, including a luggage retaining net, is available from your Dealer.

It is advisable to distribute luggage weight evenly over the entire luggage floor area, particularly to prevent permanent damage to the seat trim when a seat has been folded down.

## Luggage Compartment

### Luggage Tie-down Loops - Estate



JOL2715

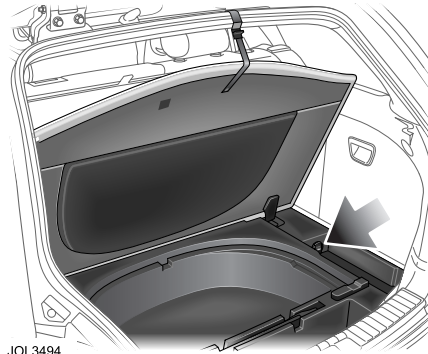
Four metal loops are positioned in the luggage compartment for attaching straps to secure loads and prevent them from sliding over the luggage floor.

The loops are hinged, and fold flat when not required. These loops are not to be used for securing passengers or animals nor as anchorages for child restraints.

A range of Jaguar storage accessories, including a luggage retaining net, is available.

It is advisable to distribute luggage weight evenly over the entire luggage floor area, particularly to prevent permanent damage to the seat trim when a seat has been folded down.

### Underfloor Storage - Estate



JOL3494

There is an underfloor storage tray located below the floor panel. Lift the floor panel (there is a handle on the rear edge) to access the storage tray.

The floor panel is fitted with a retaining strap, which can be hooked over the top lip of the luggage compartment opening. This holds the floor panel out of the way when accessing the storage tray.

The hook on the end of the retaining strap is attached to the underside of the floor panel with velcro, when not in use.

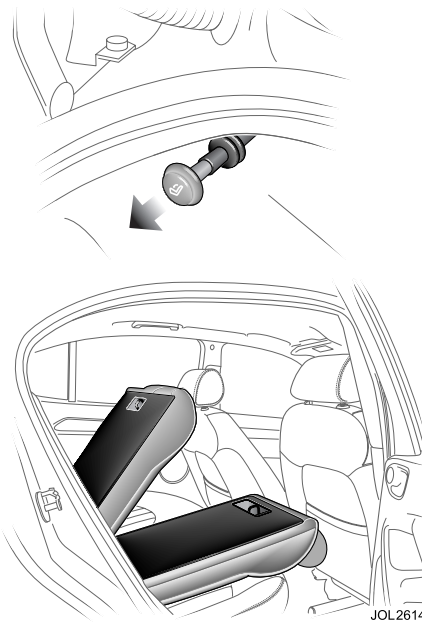
A 12 volt accessory socket is arrowed in the illustration above. Refer to page 187 for more information.



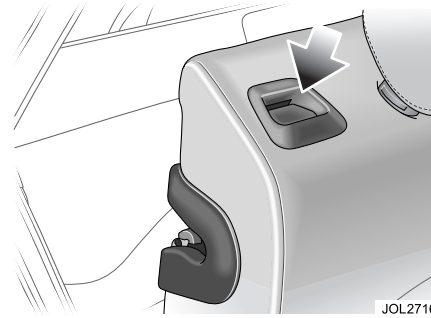
## Luggage Compartment

### Rear Seat Back Fold Down (Where fitted)

To provide a longer luggage compartment area, the backs of the rear seat can be folded down in two parts to give a 70/30 width split.



**Saloon:** Release handles for each seat back are in the luggage compartment under the parcel shelf. Pull the handle to release the seat back.



**Estate:** Release catches are located on the top of each seat back. Press the catch to release the seat back.

Once the seat back is released, fold it onto the seat cushion.

When folding the seat back, ensure that the armrest is stowed and that there is sufficient clearance between the seat back (including the head restraint) and the back of the front seat.

When returning the seat back to the upright position, ensure that the seat belts are routed correctly and are not trapped by the seat back. Press the seat back firmly and check that it is locked securely into place.

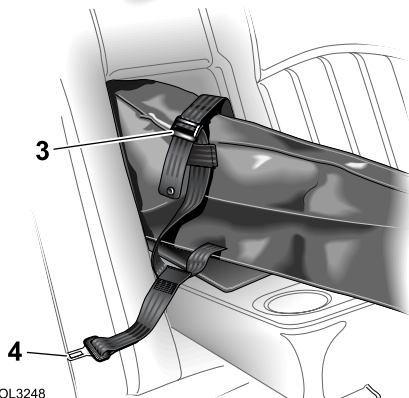
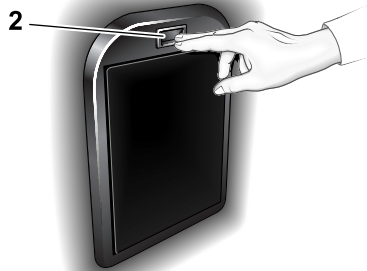
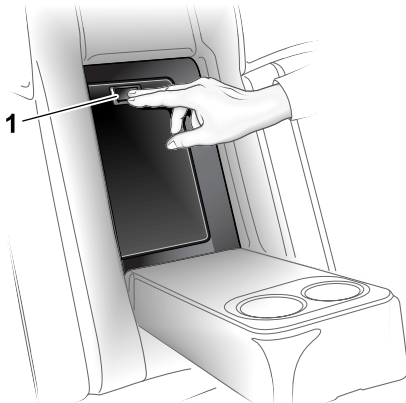
**Note:** There is a red indicator to the rear of each release catch, which is only visible when the seat is unlatched.

When returning the seat back to the upright position, ensure the catches lock correctly: when locked, the red indicator on each catch is obscured.

**Caution:** There is an interlock between the centre seat belt and the seat latch: if the catches are not locked correctly, the centre seat belt will not operate.

## Luggage Compartment

### Ski Hatch (Where fitted)



JOL3248

A two-door hatch is fitted to the rear seat of some Saloon models. When open, this gives a space for skis or similar objects to be stowed in the vehicle. Both doors have a single catch.

The inner door is accessible after folding down the armrest. To open the door, press the catch (1) downwards and gently lower the door on to the armrest.

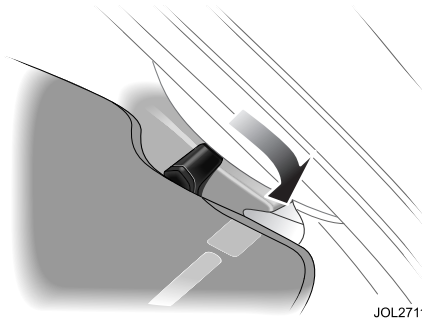
A bag for retaining the skis can now be pulled from the receptacle into the passenger compartment, and the strap (3) loosened ready to accept the skis.

The other door is accessible from inside the luggage compartment and is opened by pushing the catch (2) and lowering the door.

Push the skis into the bag from the luggage compartment and then secure the skis using the strap provided on the bag. Clip the strap connector (4) to the centre rear seat belt buckle.

## Luggage Compartment

### Estate Luggage Cover

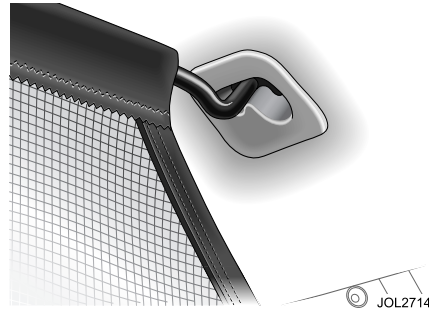


The luggage cover can be extended to hide the contents of the luggage compartment. The cover retracts into the housing when not required.

To extend the luggage cover, pull the handle towards you. There is a lug on either side of the luggage cover: slide the lugs into the catches on either side of the rear of the luggage compartment.

To retract the luggage cover, grab the handle and lift the lugs out of the catches. Gently allow the cover to retract into the housing.

### Luggage load net

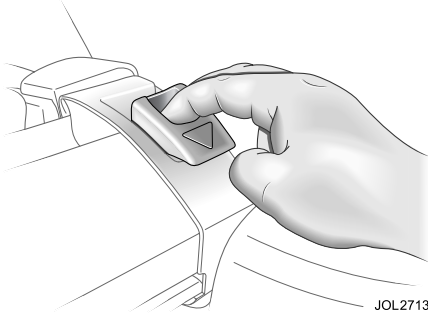


A luggage load net is fitted to some luggage cover housings. This can reduce the risk of luggage being thrown forward in the event of an accident, or under heavy braking. The load net can be retracted into the housing when not required.

When raising the net, it is easiest to reach it from the rear seat. Lift the net, and hook the catches on either end into the fittings in the roof. To retract the net, unhook the catches and lower the net into the housing.

## Luggage Compartment

### Removing the luggage cover



JOL2713

**Caution: Care should be taken to avoid damaging the interior trim when removing the luggage cover.**

- Retract the luggage cover (and luggage load net, where fitted) into the housing.
- Release the two catches on either end of the luggage cover housing (see above).
- Lift the housing slightly, until it is clear of the trim on either side of the luggage compartment.
- Rotate one end of the luggage cover towards you, and carefully guide the cover out of the car. Keep an eye on both ends of the cover and avoid contact between the luggage cover and the luggage compartment trim.

Alternatively, the luggage cover can also be removed through the rear passenger doors:

- Retract the luggage cover (and luggage load net, where fitted) into the housing.
- Fold down both sections of the rear seat (refer to page 73).

- Release the two catches on either end of the luggage cover housing.
- Lift the housing slightly, until it is clear of the trim on either side of the luggage compartment.
- Rotate one end of the luggage cover towards you, and carefully guide the cover out through the rear passenger door.

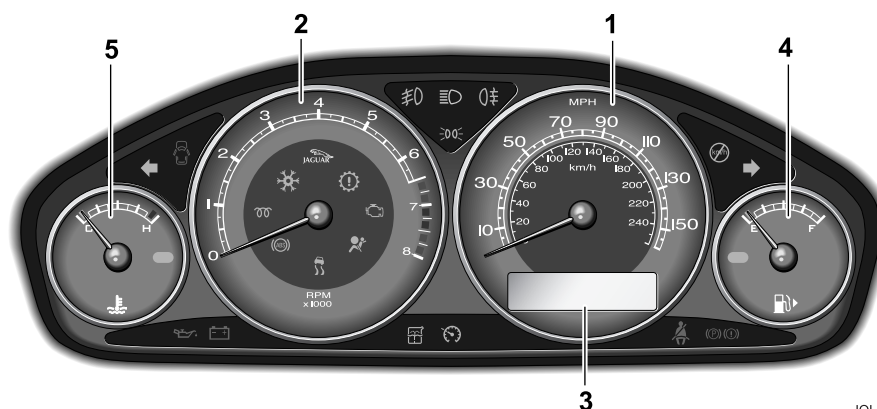
### Refitting the luggage cover

To refit the luggage cover, manoeuvre it into place without resting it on the side trim of the luggage compartment. Make sure the luggage cover is locked securely in place, with both of the catches properly engaged.

**Note:** *There is a green indicator on each of the luggage cover catches, which indicate that the catches are securely locked. Ensure the indicator on each catch is visible once the luggage cover has been refitted.*

## Instruments

### Instrument Cluster



JOL2618

None of the instruments will show correct indications until the ignition is switched ON (position 'II').

1. Speedometer.
2. Tachometer.
3. Odometer.
4. Fuel gauge.
5. Temperature gauge.

### Speedometer

Speed indication is in either:

- miles per hour, the outer figures, and kilometres per hour or;
- kilometres per hour, the outer figures, and miles per hour or;
- kilometres per hour only.

### Tachometer

The tachometer indicates engine speed in revolutions per minute and is calibrated in increments of 250.

- For petrol models, the scale extends to 8000 rev/min.
- For diesel models, the scale extends to 5000 rev/min.

**Caution: Do not allow the needle to enter the red sector.**

### Fuel Level Gauge

Indicates the amount of fuel in the tank. The amber warning light illuminates as a low fuel reminder.

The small arrow, shown beside the fuel pump symbol, identifies on which side of the vehicle the filler cap is located.

## Instruments

### Odometer

Records the total distance covered by the vehicle.

The odometer reading is displayed below the speedometer, along with the trip distance since it was last reset. To reset the trip distance, press and hold the mode button on the end of the left column stalk switch for 3 to 4 seconds. The trip distance will roll-over at 999.9 kilometres (or 999.9 miles).

If the vehicle has a message centre then the odometer is displayed in the message centre unless a message has priority or a trip computer function has been selected. The trip distance will roll-over at 16,090 kilometres (9999.9 miles).

### Engine Temperature

Drive at moderate road and engine speeds until normal operating temperature is reached. This is indicated when the pointer is between the blue (cold) segment and the red (hot) segment.

The engine operating temperature will vary with changes in weather and engine load. The engine temperature may rise in some circumstances, such as:

- Idling for long periods in slow moving traffic.
- Driving up a long hill in hot weather.
- Driving slowly or stopping after driving at high speed.
- Towing a trailer or caravan.

Should the pointer move into the red segment (**H**) or the red light illuminate, stop the vehicle as soon as it is safely possible, turn off the engine and open the bonnet to allow the engine to cool.



#### **WARNING:**

**The radiator cooling fans may continue to run after the ignition has been switched off but will automatically switch off when the engine has cooled sufficiently.**

## Warning Lights

### General Description

Warning lights are arranged within the instrument cluster.

When a message centre is fitted there are two warning lights, one red, the other amber, located above the message centre for primary and secondary status of the warnings displayed by the message centre.

'RED' warning lights are for primary warnings. A primary warning must be investigated immediately by the driver or a Jaguar Dealer/Authorised Repairer.

'AMBER' warning lights are for secondary warnings when the driver must take action and then report the fault to a Jaguar Dealer/Authorised Repairer at the earliest opportunity.

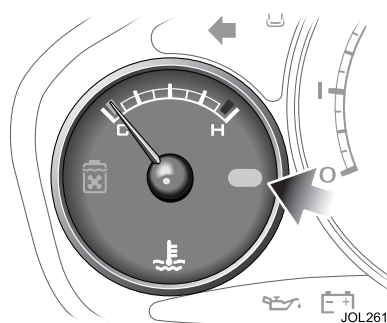
Other lights indicate system status, such as blue for main beam and green for direction indicators, when in operation.

A light check is initiated when the ignition is switched ON and lasts for three seconds (except the airbag warning light, which will remain on for 6 seconds). If any warning light remains on after this period, investigate the cause before driving.

When activated, some warning lights have associated messages displayed on the message centre.

**Note:** *Not all lights are included in the light check, for example main beam headlights or direction indicators.*

### High engine temperature (red)



### **WARNING:**

**It is unsafe to run the engine in an overheated condition.**

The first indication of high engine temperature will be the needle entering the RED zone of the coolant gauge and the illumination of the engine high temperature warning light.

If driving, pull to the side of the road and stop the engine when it is safe to do so. Allow the engine to cool.

To assist cooling, high engine temperature automatically turns off the air conditioning. To maintain some cooling it is advisable to switch the air distribution to 'recirculation'.

If a message centre is fitted the light will illuminate and a message will be displayed.

## Warning Lights



### WARNING:

**Do not remove the coolant reservoir filler cap while the engine is hot. If it is essential, then protect your hands against escaping steam. SLOWLY turn the cap anti-clockwise to allow the steam pressure to escape completely before removing the cap.**

### Low oil pressure (red)



This illuminates with the ignition switched ON and should be extinguished when the engine is running.

If the warning light stays ON when the engine is running, loss of oil pressure is indicated. STOP the engine immediately and investigate the cause.

**Caution: Do not restart the engine until the cause of loss of oil pressure has been identified and rectified.**

First check the engine oil level, see page 171.

### Seat belt (red)



Illuminates when the ignition is ON and the driver's seat belt is not fastened. If the warning

light stays ON with the seat belt fastened, report the fault to a Jaguar Dealer/ Authorised Repairer. It is safe to drive the vehicle with the light ON, provided that the seat belt is properly fastened.

Ensure that all occupants' seat belts are fastened before driving.

### Door ajar warning (red)



Illuminates if one or more doors or the bonnet or luggage compartment lid are open.

If a message centre is fitted the light will not illuminate but instead a message will be displayed.

### Charge indicator (red)



Illuminates when the ignition is ON and should be extinguished when the engine is running.

If the light stays ON when the engine is running it indicates that there is an alternator fault.

Turn OFF all electrical accessories, radio, climate control, rear screen heater etc.

Try to use the minimum electrical load possible and avoid using power windows, electric sunroof etc.

Report the fault to a Jaguar Dealer/ Authorised Repairer.

### Powertrain malfunction (red)



(Petrol only) Illuminates when there is an engine malfunction or transmission system malfunction.

If a message centre is fitted the light will not illuminate but instead a message will be displayed.



## Warning Lights

### Brake (red)



This light illuminates when:

- The ignition is ON and the handbrake is applied.
- The brake fluid is low.
- There is a fault with the electronic brake system (with the ABS light illuminated).

If the light is ON with the handbrake NOT applied, low brake fluid or a fault with the electronic brake system is indicated. In this case, there may be a loss of braking assistance in one, or both, brake circuits. If the light is ON with the ABS light also ON then the electronic brake system may not function correctly, which can impair stability when the brakes are applied.



#### **WARNING:**

**DO NOT drive the vehicle until the fault is rectified. Consult a Jaguar Dealer/ Authorised Repairer immediately.**

### Anti-lock braking system (ABS) (amber)



If a fault has been detected in the anti-lock brake system (ABS) this light will illuminate. The brake system will continue to function normally, but without ABS braking.

Should the light come on or stay on after the bulb check cycle, stop the vehicle at the first opportunity, turn the engine OFF and then restart.

If the ABS light comes on again, the vehicle should be driven to a Jaguar Dealer/Authorised Repairer at the earliest opportunity.

### Traction control/DSC (amber)



The light will flash at the rate of twice a second when traction control/DSC is operating.

The light is ON continuously when a fault is detected in the system or the system is turned OFF.

If a message centre is fitted the light will not illuminate but instead a message will be displayed.

### Engine malfunction (amber)



This light illuminates when there is an engine malfunction.

Specialised diagnostic equipment is required to repair such faults. Report the fault to a Jaguar Dealer/ Authorised Repairer.

The vehicle may go to 'limp home' mode, with the possibility of reduced engine performance. Drive the vehicle with caution.

### Side (parking) lights (green)



Illuminates when the side (parking) lights are switched ON.

### Cruise (speed) control activated (green)



Illuminates when cruise control, if fitted, is ENGAGED.

If a message centre is fitted the light will not illuminate but instead a message will be displayed.

## Warning Lights

### Airbag (amber)



If the airbag system develops a fault, the warning light will flash and then come ON and remain on until the fault has been diagnosed and cleared.

Report the fault to a Jaguar Dealer/ Authorised Repairer immediately.

It is safe to drive the vehicle; however, in an accident the airbags may not operate.

### Main beam (blue)



Illuminates when the main beam headlights are switched ON or flashed ON.

### Front fog lights (green)



Illuminates when the front fog lights are switched ON.

### Rear fog lights (amber)



Illuminates when the rear fog lights are switched ON.

### Direction indicators (green)



The appropriate indicator tell-tale will flash when the column switch is moved up or down to signal a right or left-hand turn. If a direction indicator fails, the tell-tale will flash at twice normal rate when that indicator is selected. Fit a new bulb immediately.

**Note:** If a bulb has failed, the audible ticking will sound at twice the normal rate.

### Hazard warning lights

When the hazard warning is selected, both direction indicator tell-tales flash simultaneously.

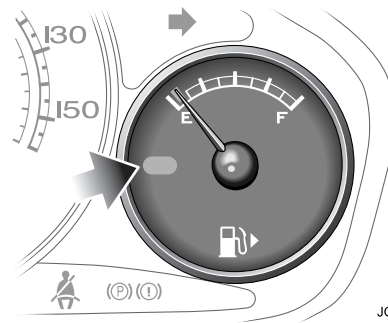
### Low washer fluid level (amber)



Illuminates when the washer fluid level is low.

If a message centre is fitted the light will not illuminate but instead a message will be displayed.

### Low fuel reminder (amber)



An amber lozenge in the fuel gauge illuminates when the remaining fuel has fallen to approximately 8 litres (1.75 gallons) including the reserve.

**Note:** Vehicles with diesel engines are equipped with a system to prevent the fuel tank from emptying completely. Refer to page 129.

### Overspeed warning (red)



(Middle East countries only)

Illuminates if the vehicle speed exceeds 120 km/h (75 mph).

## Warning Lights

---

### Glow plugs (amber)



(Diesel only) Illuminates when the ignition is switched ON and switches off as soon as the glow plugs reach their operating temperature, indicating that the engine may be started.

For more information on starting a diesel engine, refer to page 112.

### Low outside temperature (amber)



(Where fitted). Illuminates when frost or ice is likely to form on road surfaces.

The light will continue to be illuminated until the outside temperature rises to a safer level.



### **WARNING:**

**Even if the light is not illuminated, there is no guarantee that at low temperatures the road is free from ice.**

If required, the low outside temperature warning light can be disabled by a Jaguar Dealer/Authorised Repairer.

## Audible Warnings

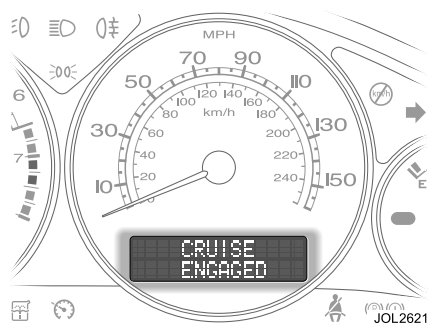
### Warning Sounds

Various sounds are produced for warning and notification purposes as follows:

Hazard or Condition	Remedy/chime or tone
External lights remain ON when the driver's door is opened.	A chime will sound until the lights are switched OFF or driver's door is closed. <b>Note:</b> <i>The chime will not sound if the switch is in the 'Auto' position.</i>
Hazard warning indicators ON.	A ticking will sound until the hazard indicators are switched OFF.
Left or right direction indicators ON.	If the switch has not turned itself OFF, switch the turn indicator OFF when the manoeuvre is completed. A ticking will sound until the indicators are switched OFF.
Entry delay warning.	A ticking warning will sound. Disarm the alarm system within 15 seconds by placing a key in the ignition switch and turning to position 'I' or press the key transmitter unlock button.
Airbag system failure.	A tone sequence is repeated five times. Report the fault to a Jaguar Dealer/Authorised Repairer as soon as possible.
Seat belt reminder (Middle East countries and Japan only).	A chime will sound until the driver's seat belt is fastened or the ignition switch turned to '0'.
Automatic gear selector lever not in Park (P).	When the ignition key is turned from position 'II' to position 'I' a chime will sound for 10 seconds or until the lever is moved to Park.
Key in ignition warning.	A ticking will sound until either the key is removed, the driver's door is closed or the ignition switched ON.

## Message Centre

### Message Centre Location (Where fitted)



Driver information, messages and data are displayed on the message centre display panel situated within the instrument cluster.

For the message centre to operate the ignition must be switched ON (position 'II').

The message centre displays:

- The total distance covered by the vehicle.
- Trip computer information.
- Warning messages if system faults are detected.
- Status messages to indicate changes in state of certain vehicle functions.

### Messages



#### WARNING:

**If a red warning light is displayed, stop the vehicle as soon as possible but only when it is safe to do so.**

The primary function of the message centre is to inform the driver of the following:

- Warning messages.
- Temporary alert messages.
- Information messages.

Most messages, when displayed, have an associated warning light, red or amber, above the display which will come on to indicate the message priority.

If more than one message is active, each is displayed in turn for two seconds in order of priority.

**Note:** Messages take priority over the odometer reading or trip computer data and, if active, will be displayed when the ignition is switched ON.

#### Message centre illumination

The message centre is lit at all times when the ignition is ON.

All information displayed will be brightly lit if the exterior light switch is OFF.

If the exterior light switch is ON the display brightness can be varied using the dimmer switch.

**Note:** Warning lights and warning messages are always brightly lit and are not affected by the dimmer switch.

## Message Centre

### Message descriptions

The following tables list all messages and warning lights and explain their meaning.

Message	Warning Light	Priority Indicator	Meaning
LOW BRAKE FLUID LEVEL	Brake	Red	Displayed when the brake fluid level is low. Complete loss of braking may occur.
HIGH ENGINE TEMPERATURE	Engine Overtemp	Red	Displayed when engine temperature becomes excessive. Pull off the road when safe to do so and allow the engine to cool.
RESTRICTED PERFORMANCE	None	Red	This will be displayed when the vehicle has possible loss of power or driveability. Report the fault to a Jaguar Dealer/ Authorised Repairer.
ENGINE SYSTEM FAULT	Malfunction Indicator light	Amber or Red	Displayed when the 2.5 litre or 3.0 litre engine has defaulted to 'limp-home' mode. Report the fault to a Jaguar Dealer/Authorised Repairer at the earliest opportunity. This message will not appear in 2.0 litre petrol or diesel vehicles.
GEARBOX FAULT	None	Amber	It is likely that the driver will experience a degradation of gearbox operation.
TRACTION CONTROL FAULT	Traction Control	Amber	Displayed when a fault occurs in the traction control system.
TRACTION CONTROL ON or OFF	Traction Control	Amber (OFF only)	Displayed when the traction control system is switched ON or OFF. The warning light will FLASH when the traction control system is switched ON and operating. When the system is switched OFF, the warning light in the instrument cluster will be illuminated until the system is switched back ON.

## Message Centre

Message	Warning Light	Priority Indicator	Meaning
STABILITY CONTROL FAULT	Stability Control	Amber	Displayed when a fault occurs in the stability control system.
STABILITY CONTROL ON or OFF	Stability Control	Amber	Displayed when the stability control system is switched ON or OFF. The warning light will FLASH when the stability control system is switched ON and operating. When the system is switched OFF, the warning light in the instrument cluster will be illuminated until the system is switched back ON.
DRIVER'S or PASSENGER'S FRONT OR REAR DOOR OPEN	Door Ajar Warning	Red	Check that all doors are closed before driving.
BOOT OPEN	Door Ajar Warning	Red	Check that the luggage compartment lid (or Estate tailgate and tailgate glass) is closed before driving.
LOW WASHER FLUID LEVEL	Low washer fluid level	Amber	Replenish the washer fluid at the earliest opportunity.
CRUISE NOT AVAILABLE	None	Amber	Displayed when a fault has occurred in the cruise control system.
CRUISE ENGAGED or CRUISE CANCELLED	None	None	Displayed when cruise control is ENGAGED or CANCELLED.
SECURITY FAILED	None	Red	Displayed when a fault is detected in the security immobiliser system. The alarm security light in the centre console will flash. It is possible that the engine will not start. Report the fault to the nearest Jaguar Dealer/Authorised Repairer.

## Trip Computer

---

### Trip Computer Functions

The computer memory stores data for a journey or series of journeys until it is reset to zero.

The displayed information is for guidance only, as it can be affected by traffic, road and weather conditions.

Two independent memories are available (A and B) to allow two separate journeys to be recorded concurrently, for example, work usage and evening/weekend usage.

Trip distance, average fuel economy and average speed will be prefixed A or B depending on the current memory selected.

Press the TRIP button on the end of the left column stalk switch repeatedly to display the data in the following order:

- Odometer.
- Trip distance.
- Distance to empty.
- Average fuel economy.
- Average speed.
- Messages.

### Odometer

The odometer shows the total vehicle distance travelled since the vehicle was new.

When the ignition is switched ON (position 'II') the display shows the odometer and trip distance readings.

The odometer reading is displayed in either miles or kilometres, depending on the units selected with the trip computer.

### Trip distance (A/B)

Distance travelled since the last memory reset. The maximum trip reading is 16,090 kilometres (9999.9 miles).

The computer will automatically reset to zero if this distance is exceeded.

### Distance to empty

Predicted distance, miles or kilometres, that the vehicle should travel on the remaining fuel, assuming average fuel economy and fuel consumption stay constant.

### Average fuel economy (A/B)

The average fuel consumption, litres per 100 kilometres or miles per gallon, based on the accumulated distance travelled and the accumulated fuel used.

### Average speed (A/B)

The average speed since the last press of the reset button.



## Trip Computer

### Trip Computer Switchpack



#### ML/km

Pressing the 'ML/km' switch alternately displays data in metric or imperial units.

#### A/B

Selects either A or B trip memory. Select the required data using the column stalk TRIP button and then pressing A/B will show the A or B information for that data.

#### RESET

RESET resets the selected trip to zero.

Warning and Information messages have priority over trip data and, if active, will be displayed when the ignition is at position 'II'.

**Note:** *If warning messages are hidden, the warning/fault still exists and requires investigation.*

### Resetting the trip computer

At the start of the journey (or series of journeys) to be recorded, reset the computer memory to zero as follows:

1. Press the TRIP button on the end of the left column stalk switch to select a trip function. The computer will display either TRIP A: or TRIP B: data.
2. Press the A/B switch to select the trip (A or B) to be reset.
3. Press the RESET switch and hold for 3 seconds.

The display will read:

RESETTING

TRIP A (or B).

Then it will reset and display:

A: 0 (or B: 0)

or the new value.

**Note:** *All trip functions, for A or B depending on which was selected, will be reset.*

### Display language

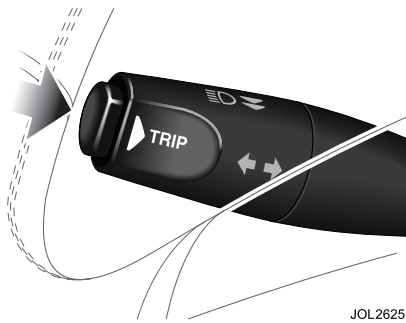
To change the display language, switch the ignition ON while pressing the 'ML/km' switch. The trip computer will display the current language.

Press the 'ML/km' switch repeatedly to cycle through the available languages. Once the correct language is selected, press the 'A/B' switch. The new language will be selected after a delay of three seconds.

**Note:** *If you wish to exit the language selection function without changing the display language, you can either press the 'RESET' switch, wait for 10 seconds or switch the ignition OFF.*

## Trip Computer

### Trip



JOL2625

Press the TRIP button to cycle through:  
TRIP - ODOMETER - MESSAGES -  
CLOCK (where available).

### Clock

If your vehicle is fitted with the Jaguar navigation system, the clock can be displayed in the message centre. Press the TRIP button on the end of the left column stalk switch to cycle through the trip functions and display the clock.

**Note:** The time is adjusted via the touch-screen, refer to page 65 of this handbook.

### Clearing Messages

Messages can be hidden by pressing RESET on the trip computer switchpack. One press will hide one message. Once all messages have been hidden, the display will show trip data, a further press will display the odometer reading. If RESET is pressed again, all active messages will be 're-displayed'. Repeatedly pressing the RESET button will cycle through the trip, odometer and message modes.

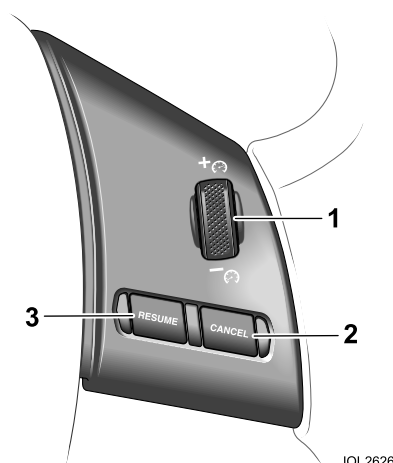
If a fault occurs when in trip computer or odometer mode, the relevant message will be displayed immediately.

If a trip computer function is selected by pressing the TRIP button while messages are displayed, the trip data will be displayed for 10 seconds, then the message will reappear.

Hidden messages reappear after an ignition OFF/ON cycle, if the fault remains.

## Cruise (Speed) Control

### Cruise Control Switches



The cruise (speed) control system (where fitted) can be used by the driver to maintain a selected vehicle speed above 28 km/h (18 mph) for 2.5- and 3.0-litre vehicles, and 40 km/h (25 mph) for 2.0-litre petrol and diesel vehicles, without the driver having to use the accelerator.

Controls on the steering wheel allow the driver manual control of the system. Brake and clutch operations also influence the cruise control system.

1. SPEED ADJUSTMENT WHEEL is used to engage cruise control initially. It is also used to increase/decrease the set speed.
2. CANCEL cancels cruise control but retains the set speed in memory.
3. RESUME engages cruise control after it has been cancelled.

### Setting vehicle speed



#### WARNING:

**Only use cruise control when conditions are favourable, for example, straight, dry, open roads with light traffic.**

When you are travelling at the speed you require, which must be above 28 km/h (18 mph) for 2.5- and 3.0-litre vehicles, and 40 km/h (25 mph) for 2.0-litre petrol and diesel vehicles, rotate the speed adjustment wheel towards '+' and then release it. Cruise control will engage and maintain the set speed and you can remove your foot from the accelerator pedal.



The instrument cluster light will illuminate to show that the system is on. Vehicles with a message centre will show the message CRUISE ENGAGED.

**Note:** Cruise control will automatically disengage when the brake pedal is pressed or when the vehicle speed falls below 28 km/h (18 mph) for 2.5- and 3.0-litre vehicles, and 40 km/h (25 mph) for 2.0-litre petrol and diesel vehicles. If the vehicle has a manual gearbox, pressing the clutch pedal will also disengage the cruise control. Vehicles with a message centre will show the message CRUISE CANCELLED.

## Cruise (Speed) Control

### Changing the set speed

To increase or decrease the set speed, rotate the speed adjustment wheel until the desired speed is obtained.

The speed adjustment wheel can be used in two ways:

- If the wheel is repeatedly rotated and released (i.e. 'flicked' towards '+' or '-'), the set speed will increase/decrease in increments of 2 km/h or 1 mph.
- If the wheel is rotated towards '+' or '-' and held in position, the set speed will continuously increase/decrease.

### Resuming the set speed

If the vehicle is accelerated above the set speed, then the set speed will be resumed when the accelerator pedal is released.

If CANCEL is pressed, or the brake or clutch pedal is pressed, the cruise control will disengage but the set speed memory will be retained. Press RESUME and the vehicle will return to the set speed.

**Note:** *Cruise control will not resume at speeds below 28 km/h (18 mph) for 2.5- and 3.0-litre vehicles, and 40 km/h (25 mph) for 2.0-litre petrol and diesel vehicles.*

### Caution:

- **RESUME should only be used if the driver is aware of the set speed and intends to return to it.**
- **It is not recommended to resume set speed when a low gear is selected as excessive engine speeds will occur.**

### Cruise control will switch off and clear the memory when:

- The ignition is switched to position '0'.
- A fault occurs. The cruise control system will switch OFF and cannot be used until the fault is cleared.

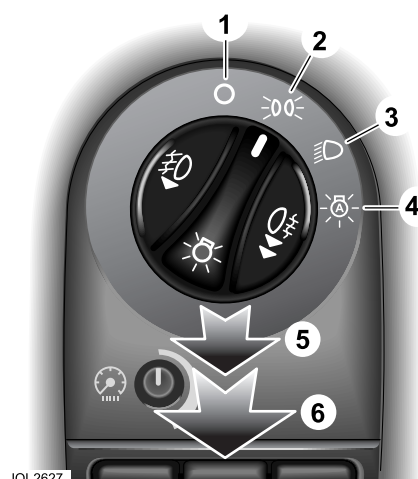
### Cruise control automatic switch off

Cruise control will switch off but the set speed will remain in the memory when:

- The CANCEL button is pressed.
- The brake pedal is pressed.
- The handbrake is applied.
- Speed falls below 28 km/h (18 mph) for 2.5- and 3.0-litre vehicles, and 40 km/h (25 mph) for 2.0-litre petrol and diesel vehicles.
- Neutral, Park or Reverse gear positions are selected.
- Traction control or DSC is operating.
- The difference between the actual and set speed is too great.
- When the vehicle reaches a maximum speed of:  
Manual: 200 km/h (125 mph).  
Auto: 192 km/h (120 mph).
- The accelerator pedal is used to accelerate beyond the set speed for too long a period.
- If the vehicle has a manual gearbox, pressing the clutch pedal will also disengage the cruise control.

## Exterior Lighting

### Exterior Lighting Switch



JOL2627

1. OFF.
2. Side (parking) lights.
3. Headlights.
4. Auto lights.
5. Front fog lights.
6. Rear fog lights.

The exterior lights are controlled by a rotary light switch mounted on the fascia and by the left-hand column switch.

The rotary switch has six positions. These are:

**OFF (1)** - All exterior lights OFF (except vehicles provided with daylight running lights).

**Sidelights (2)** - Switches ON front sidelights, tail, number plate and any other marker lights required by local legislation. When the external lights are ON the instruments will also be lit.

**Headlights (3)** - With the ignition in position 'II', this position switches on dipped headlights in addition to the lights switched on in position (2).

The left-hand column stalk switch has two pull positions. Pulling and releasing the switch to the first position causes the main beam to flash. The main beam can be flashed with the ignition in position 'II' and will remain ON for as long as the switch is held.

The second position is to switch main beam headlights ON. With the ignition in position 'II', first select dipped beam lights (3), and then pull the column light switch, past the first position, fully towards the steering wheel.

The blue warning light on the instrument cluster and main beam headlights will come ON.

To turn main beam OFF, pull the column switch again to the main beam position.

**Note:** *If dipped beam is switched OFF, with main beam still activated both dipped and main beam will be extinguished. Both dipped and main beam will illuminate if dipped is turned on again. The ignition must be in position 'II' for the flash to operate.*

### Headlight convenience

The main beam lights are turned on for 30 seconds when the headlight convenience button on the key transmitter is pressed.

**Note:** *The key must not be in the ignition switch for this feature to operate.*

## Exterior Lighting

The main beam lights can be turned off before the 30 second delay by pressing the headlight convenience button on the key transmitter or by turning the ignition to position 'II'.

**Auto lights (4)** - A light sensor control (where fitted), mounted on the front of the interior mirror fixing cover, monitors exterior light levels and automatically switches the sidelights and dipped headlights ON or OFF.

The ignition switch must be in position 'II' for automatic light operation.

When light fades to the non-adjustable, preset level, the sidelights and headlights will switch ON automatically.

As light increases to the preset level, the sidelights and headlights switch OFF automatically.

Do not cover the sensor and keep the windscreen clean. Obstructing the light in this area may lead to unwanted operation of the sidelights and headlights.

### Front fog lights (5)

With the switch in sidelight or dip position, pull the switch to its first position to turn on the front fog lights. Pushing the switch in or turning it to OFF will turn off the front fog lights.

**Note:** *The front fog lights should only be used when visibility is severely restricted by fog.*

Front fog lights cannot be used with main beam headlights. If main beam headlights are switched on when the front fog lights are on, the front fog lights will be switched off.

The front fog lights will not turn on if they are selected when main beam headlights are on.

### Rear fog lights (6)

With the switch in any position except OFF, pull the switch to its second position to turn on the rear fog lights. This will also turn on the front fog lights unless main beam is selected. Pushing the switch in or turning it to OFF will turn off the rear fog lights.

### Daylight running lights

In certain countries it is a legal requirement for the lights to be on during the hours of daylight.

With the rotary light switch in the OFF position (1), dipped headlights, sidelights, tail, number plate lights and, where fitted, side marker lights will switch on automatically with the following conditions:

- The ignition is turned to position 'II'.
- The vehicle gear selector out of park (automatic transmission only).
- The handbrake not applied (released).

## Exterior Lighting

### Headlight Levelling



The headlight levelling switch operates when the headlights are switched ON. Push and release the knob to extend it for ease of operation. Push the knob again to place it in the stowed position.

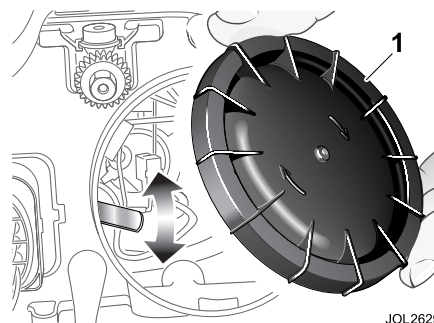
Turn the knob to the setting appropriate for the vehicle load, for example:

- '0' Normal setting - Driver only.
- '1' Driver and one front passenger.
- '2' All seats occupied and maximum luggage.
- '3' Fully loaded vehicle and towing a caravan or trailer.

### Auto headlight levelling

Automatic levelling of the High Intensity Discharge (HID) headlights is a feature which avoids dazzling oncoming drivers. A control unit adjusts the height of the lights during acceleration, deceleration and terrain variation.

### Touring Headlight Adjustment



When touring in countries where you must drive on the opposite side of the road to your country, your vehicle dipped beam lights may dazzle oncoming drivers.

A lever, within the main beam headlight, is used for dipped beam adjustment for touring. This lever flattens the dipped beam to avoid dazzling oncoming drivers.

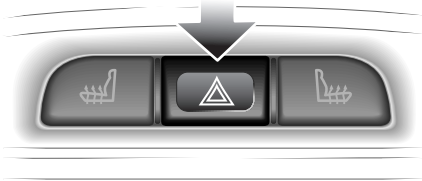
Open the bonnet and remove the round cover (1) from a main beam headlight.

Move the lever in the left-hand headlight down and move the lever in the right-hand headlight up, to flatten the beams for driving on the right side of the road.

Remember to place the levers back in their original positions when you return to your country of origin.

## Exterior Lighting

### Hazard Warning



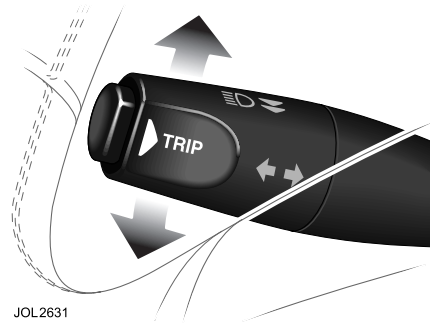
JOL2630

The switch is in the centre console and operates with the ignition ON or OFF. Use only in an emergency to warn traffic of a vehicle breakdown or approaching danger.

**To operate:** Press the switch; the direction indicators, the instrument cluster green indicators and audible warning will operate in unison. The switch symbol will light up.

**To cancel:** Press the switch again.

### Direction Indicators



JOL2631

The direction indicators operate when the ignition is in position 'II'. To indicate for a right or left turn, move the column left stalk switch up or down respectively. The switch will cancel when the turn is completed.

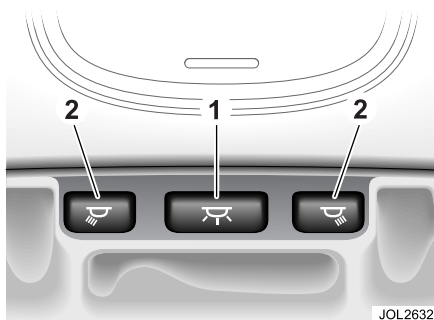
An audible ticking and a flashing green arrow on the instrument cluster indicates that the selected direction indicator is ON.

Should a direction indicator bulb fail, the corresponding side green warning light will flash at twice the normal rate. The audible ticking will sound at twice the normal rate.



## Interior Lighting

### Reading/Map Lighting



JOL2632

Interior lighting comprises, front and rear overhead courtesy lights, two front reading/map lights and a rear roof light. Vanity mirrors, glove compartment, footwell and luggage compartment lights are provided.

Press the centre switch (1) in the front roof console to turn the courtesy light on. A second press turns the light off.

The reading/map lights are turned on and off by individual switches (2).

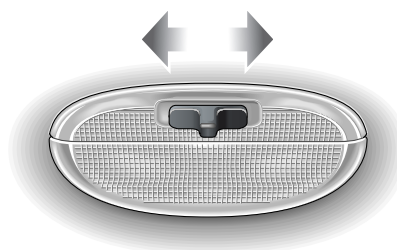
### Illuminated Entry/Exit

The courtesy lights will gradually illuminate and remain on for 25 seconds if:

- The vehicle is unlocked.
- The ignition switch is turned off (from position 'II' to '0' or 'I').

If the courtesy lights are on they will fade off 25 seconds after the last door is closed, or when the vehicle is locked.

### Rear Roof Light



JOL2633

The rear roof light switch has three positions:

- In the left position the light will be switched on.
- In the centre position the light will come on or go off when a door is opened.
- In the right position the light will be switched off.

### Battery Saver

If the interior lights are switched on using the centre switch in the overhead console and the ignition switch is turned to positions '0' or 'I', the lights will automatically turn OFF after 30 minutes.

If the interior lights are switched on by opening a door and the ignition switch is in positions '0' or 'I', the lights will automatically turn off after 10 minutes.

If the glove compartment or vanity lights are switched on and the ignition switch is turned to positions '0' or 'I' or the key is removed, the lights will automatically turn OFF after 30 minutes.

## Interior Lighting

---

### Dimmer Switch



The instruments, door switch packs, in-car entertainment panel and the climate control panel will be lit when the ignition switch is in position 'II'.

Push and release the knob to extend it for ease of operation.

Rotate the knob to adjust the illumination to the required level.

Push the knob again to place it in the stowed position.

## Parking Assist

### Parking Assist System

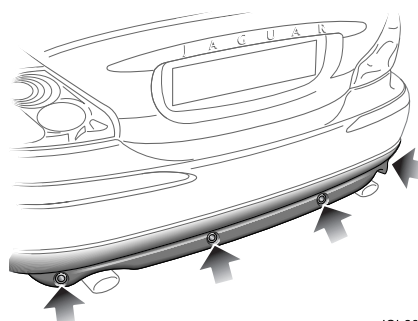
(Where fitted)

**Caution:** It remains the driver's responsibility to detect obstacles and estimate the car's distance from them. Some overhanging objects, barriers, thin obstructions or painted surfaces which could possibly cause damage to the vehicle may not be detected by the system. Always be vigilant when reversing.

Rear parking assist is switched on with the ignition. However, it only becomes active once reverse gear is selected.

**Caution:**

- If, for example, you are driving within a confined space such as a home garage, the outer sensors will detect the side walls and after 3 seconds will switch the tone off. However, as movement continues, the inner sensors will eventually detect the rear wall and will start the tone again.
- The rear sensors are not active when the gear selector is in neutral, therefore care should be taken if moving the vehicle as the tone will not sound.
- Do not clean the sensors with abrasive or sharp objects.



JOL2636

**Note:**

- For reliable operation, the sensors in the front and rear bumpers should be kept free from ice, frost and grime.
- When using a high pressure spray the sensors should only be sprayed briefly and not from a distance of less than 200 mm (8 inches). Do not clean the sensors with abrasive materials.

**Towing**

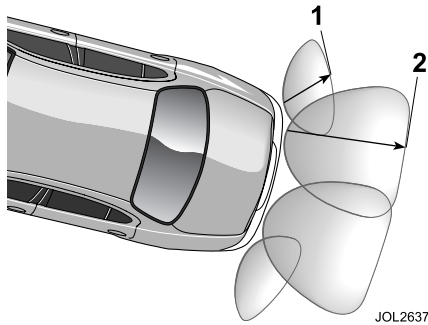
Where approved Jaguar tow-bar electrics are fitted, the reverse parking assist is automatically switched off if a caravan or trailer is attached to the vehicle. The front parking assist will remain active.

**Rear-fitted accessories**

Particular care must be taken when reversing with rear-fitted accessories e.g. tow-bar or bicycle carrier, as the rear park assist will only indicate the distance from the bumper to the obstacle.

## Parking Assist

### Rear parking assist



JOL2637

When reverse gear is selected and the ignition is on, rear parking assist provides an audible warning when reversing the vehicle if obstacles are detected within range of the rear of the vehicle, as shown in the illustration above.

(1) is approximately 300 mm (12 inches).

(2) is approximately 1500 mm (59 inches).

### Front and rear parking assist



JOL2638

When both front and rear parking assist are fitted, a switch is located in the overhead console.

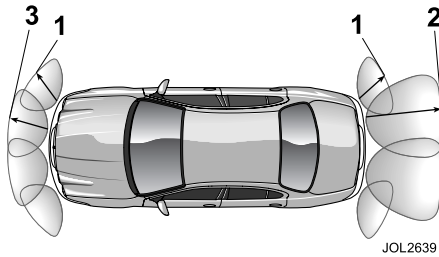
Pressing the switch turns front and rear parking assist on or off together. The integral switch warning light will come on when the system is turned on. The light will blink if a fault is detected in the system.

A switch is not provided where only rear parking assist is fitted.

**Note:** Front parking assist is always inactive when the ignition is turned on. It is switched on when reverse gear is selected, or if the overhead console switch is pressed at speeds below 15 km/h (9 mph).

## Parking Assist

### Operation of front parking assist



The front parking assist provides an audible warning when driving forwards if objects are detected within range of the front of the vehicle, as shown in the illustration above.

(1) is approximately 300 mm (12 inches).

(2) is approximately 1500 mm (59 inches).

(3) is approximately 800 mm (31 inches).

The front sensors switch off when moving forwards above 15 km/h (9 mph). The system can be switched back on at speeds below 15 km/h (9 mph) by pressing the overhead console switch.

If an obstacle is detected at the front or rear of the vehicle, a series of beeps will be heard from the front or rear speaker respectively, which increases in rate as the vehicle nears the obstacle.

The beep becomes a continuous tone when an obstacle is detected at or within approximately 300 mm (12 inches) from the rear or 250 mm (10 inches) from the front of the vehicle.

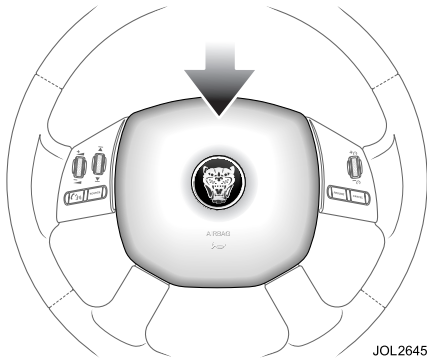
### Note:

- If the system has a fault when engaging reverse gear or turning on the ignition, then a single three second tone will be heard (only once per ignition cycle) and, if fitted, the switch light will blink. The system is automatically disabled when a fault is detected.
- Front parking assist may sound spurious tones if it detects an ultrasonic frequency using the same band as the sensors.
- Do not overload the vehicle. If the vehicle is overloaded, rear parking assist may sound spurious tones if it detects the road surface.

## Horn

---

### Horn Location

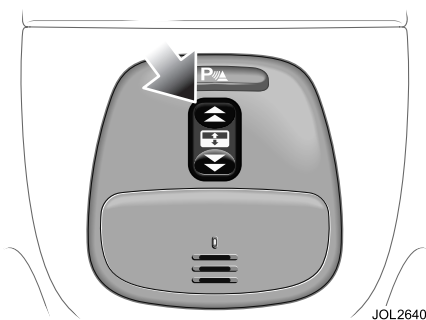


The dual tone horn is operated by pressing the centre pad on the steering wheel.

The horn also operates as a warning horn if the vehicle alarm system is activated.

## Sunroof

### Sunroof Operation



#### WARNING:

- **Before opening or closing the sunroof check that all occupants are clear.**
- **When leaving the vehicle take the ignition key to prevent misuse of the sunroof switch by remaining occupants, especially children.**

The sunroof switch is located in the overhead console. The ignition switch must be in position 'II' for the sunroof to operate.

#### To open the sunroof

- Push the rear of the switch gently upwards to the first position and hold until the sunroof is fully open. The sunroof can be stopped at any open position by releasing the switch.
- To fully open the sunroof with one-touch operation, briefly push the rear of the switch fully upwards to the second position and then release. To stop the sunroof opening, briefly press the switch upwards, forwards or rearwards.

#### To close the sunroof

- Push the front of the switch upwards to the first position and hold until the sunroof is closed. It can be stopped at any position by releasing the switch.
- To close the sunroof with one-touch operation, briefly push the front of the switch upwards to the second position and then release. To stop the sunroof closing, press the switch upwards, forwards or rearwards.

#### To tilt the sunroof

To tilt the sunroof open, push the front of the switch upwards and hold until the required position is reached, or until the tilt is fully open, and then release the switch. To tilt open with one-touch operation, briefly push the switch upwards to the second position.

To close the tilted sunroof, push and hold the rear of the switch until the sunroof is closed. Briefly push the rear of the switch upwards to the second position to tilt closed with one-touch operation.

### Sunshade Operation

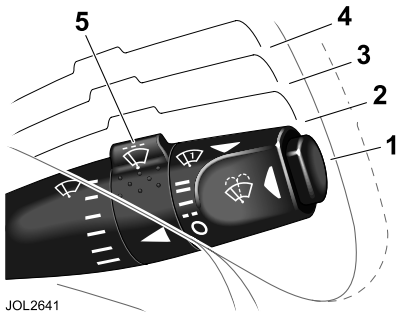
The sunshade can be manually opened and closed using the pull cup. When the sunroof is fully open the sunshade is also fully open and, because the pull cup is hidden, it cannot be manually closed from this position.

**Note:** *If the sunshade is fully open the pull cup cannot be accessed until the sunroof is fully closed.*

## Wipers and Washers

### Windscreen Wipers

The windscreen wipers and screen wash functions are controlled by the right-hand column stalk switch and only operate with the ignition in position 'II'.



JOL2641

The stalk functions are as follows:

1. Windscreen wipers off and parked.
2. Intermittent wipe.
3. Slow wiper operation.
4. High speed wiper operation.
5. Intermittent wipe delay.

#### Intermittent wipe

When intermittent wipe is selected the delay between wipes can be varied. Turn the collar (5) to vary the delay from 1 second to 22 seconds.

#### Flick wipe

**Saloon** - Pull the column switch towards the steering column for a single wipe. Holding the column switch in this position will operate the wiper continuously at slow speed until released.

**Estate** - Push the column switch downwards from the OFF position (1). Holding the column switch in this position will operate the wiper continuously at slow speed until released.

#### Rain sensitive wiper control

When AUTO (turn the rotary collar (5) to AUTO) and intermittent wipe (2) are selected, the wipers will automatically operate when rain falls on to the windscreen, or when moisture is present.

For the wipers to operate, the ignition switch must be in position 'II'.

**Note:** When starting a journey with a wet windscreen, the rain sensing wipers will not operate immediately the ignition is switched on. Therefore, a flick wipe should be used to clear the windscreen of any moisture.

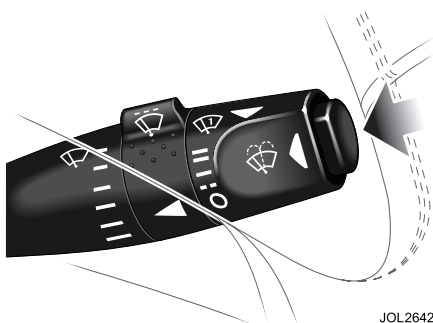
#### Caution:

- Ensure that **AUTO** is not selected when entering a car wash or damage to the wiper blades/arms can occur.
- During frosty conditions ensure that **AUTO** is not selected before operating the ignition switch as damage to the wiper blades can occur when the windscreen is frozen.



## Wipers and Washers

### Windscreen Wash/Wipe



JOL2642

Push the button on the end of the switch to obtain the wash/wipe programme.

If the wipers are set to OFF or intermittent, the washers will operate at slow speed during the washing action when the button is pressed. When the button is released, the wipers will complete three further wipes.

After the wash cycle has been completed the wipers will pause and then complete a drip wipe to clean any remaining drips of moisture from the screen. If rain sensitive wipers are fitted and selected then the wipers will operate until no moisture is detected. Drip wipe can be turned on or off by a Jaguar Dealer/Authorised Repairer, if required.

### Headlight Powerwash

**Note:** The headlight powerwash units are mounted between the front headlights.

The headlight powerwash feature will operate if the ignition is in position 'II' and sidelights are switched ON. It will not operate if the washer fluid level is low.

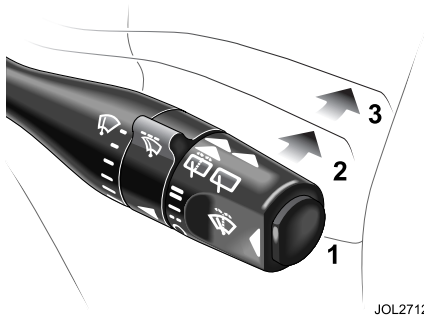
When the windscreen wash/wipe button is pressed, the headlight powerwash directs a short burst at the headlights. If the wash/wipe button is held, the screen wash cycle will continue for up to 20 seconds.

The headlight powerwash will operate the first time the wash/wipe button is pressed and thereafter every sixth succeeding wash/wipe operation. If the headlights or ignition are switched OFF and ON again, headlight powerwash will operate on the next press of the wash/wipe button.

**Note:** If the washer fluid level is low in the reservoir the windscreen wipers will not operate when windscreen wash is selected even though there may be washer fluid remaining in the reservoir and sprayed onto the screen. This is to prevent damage to the blades, scratching of the glass, or smearing dirt across the screen. Flick wipe can be selected to clear the sprayed fluid from the screen.

## Wipers and Washers

### Estate Rear Wash/Wipe



JOL2712

Estate models are fitted with a rear screen wash/wipe. This is operated by the right-hand column stalk and only operates with the ignition in position 'II'.

The stalk functions are as follows:

1. Rear wiper off and parked.
2. Intermittent wipe.
3. Continuous wash and wipe.

Push the stalk forward and hold it in position to select position (3). Release the stalk, and it will return to position (2).

If the windscreen wipers are switched on and reverse gear is selected, the rear wiper will wipe intermittently.

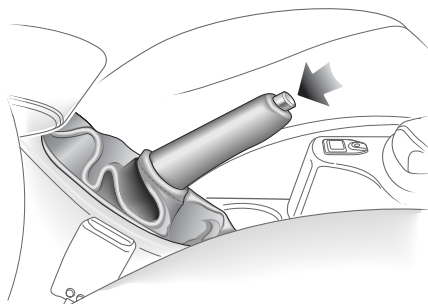
If the rear wiper is set to intermittent when reverse gear is selected, the rear wiper will wipe continuously.

**Caution: In cold conditions, when frost may be present on the rear screen, it is advisable to switch off the windscreen wipers before selecting reverse gear. The automatic operation of the rear wiper may cause damage to the blade if the screen is heavily frosted.**

## Handbrake

---

### To Apply the Handbrake



JOL3268

The handbrake lever, which applies the parking brakes, is mounted on the centre console beside the driver's seat.

Press the footbrake pedal firmly and keep pressed down. Pull the handbrake lever up firmly to its fullest extent, without pressing the release button. Release the footbrake.

The handbrake warning/brake fluid low warning light on the instrument cluster will illuminate, if the ignition is on.

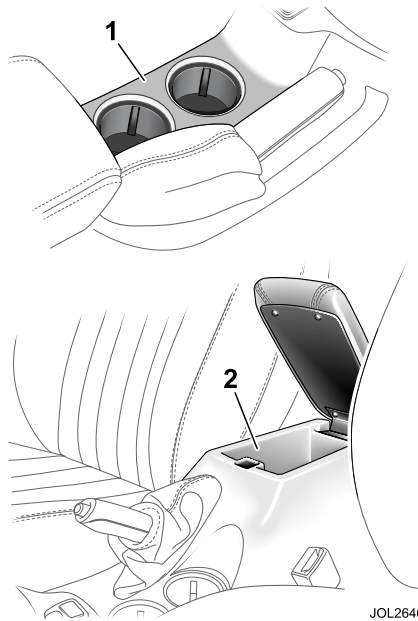
### To Release the Handbrake

Press the footbrake pedal firmly and keep pressed down. Lift the handbrake lever slightly, depress the release button at the end of the lever and lower fully.

If the handbrake lever is not fully off, the handbrake warning/brake fluid low warning light will stay on.

## Interior Features

### Cupholders



The centre console contains two cupholders (1).



#### **WARNING:**

**Do not place hot drinks in the cupholders whilst the vehicle is moving; there is a risk of scalding.**

Lift the front of the hinged armrest to gain access to the cubby box (2). Where fitted, the cubby box contains a storage rack for audio CDs or cassettes.

### Glove Compartment

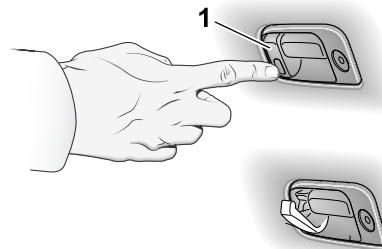
A glove compartment is located below the passenger's airbag.

To open the glove compartment, lift the handle and allow the lid to drop down. The compartment will be illuminated when open, provided the sidelights are switched on.

If the compartment is left open the light will extinguish approximately 30 minutes after the ignition has been set to position '0'.

The glove compartment can be locked using an ignition key.

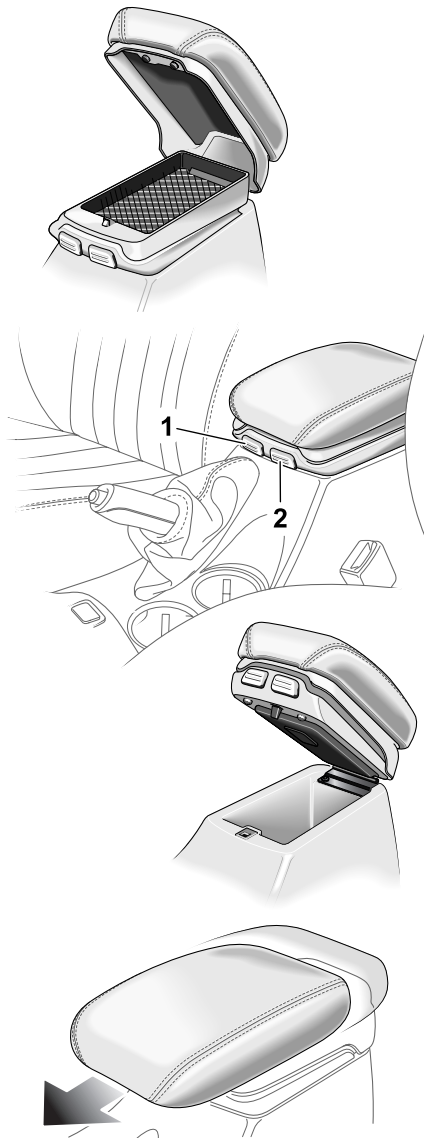
### Light-weight luggage hook



A hook for holding light-weight items such as a handbag, purse or small shopping bag is fitted beside the glove compartment lid release catch. Press the lower part of the hook (1) to lower the hook. Fold the hook back into the lid after use.

## Interior Features

### Sliding Armrest (Where fitted)



JOL3516

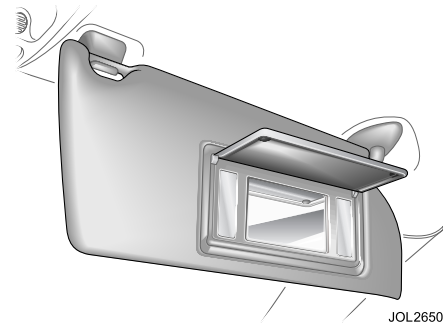
The sliding armrest is hinged at the rear and has two release buttons located on the front of the armrest.

Press the right-hand button (1) and lift the top of the armrest to gain access to the top storage compartment.

Press the left-hand button (2) and lift the complete armrest to gain access to the centre console cubby box compartment. Where fitted, the cubby box contains a storage rack for audio CDs or cassettes.

Pull the top of the armrest forwards or push rearwards to slide the armrest to a comfortable position.

### Sun Visors and Vanity Mirrors



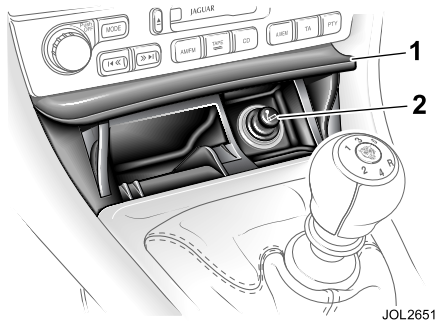
JOL2650

Adjustable sun visors can be swung downwards or unclipped and swung sideways to reduce sun glare.

The sun visors are fitted with illuminated vanity mirrors, behind a hinged flap. The light comes on when the flap is lifted.

## Interior Features

### Cigar Lighter and Ashtray (Where fitted)



JOL2651

To gain access to the cigar lighter and ashtray, press the lid (1) at the bottom edge, close to the chrome indicator.

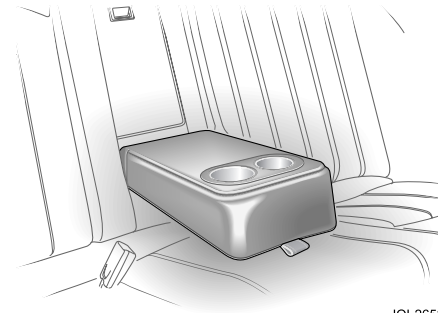
To operate the cigar lighter (2) the ignition must be on, press the lighter down and wait until the element has heated, it will then pop-up.

**Note:** *Never hold the lighter knob down. Do not attempt to remove particles from the heating element as it is self-cleaning.*

To empty the ashtray, lift it out vertically and remove. After emptying, push the ashtray into the opening until it snaps back into place.

The cigar lighter is replaced by a 12 volt accessory socket on certain models.

### Rear Centre Armrest



JOL2652

Pull the loop on the rear centre armrest to lower. If not required, raise the armrest to its upright position and push firmly into place. Ensure that the armrest is raised when lowering the seat back to increase the luggage compartment area.



#### **WARNING:**

**Never carry hot liquids in the cupholder whilst the vehicle is moving. If the contents spill, occupants could be scalded. Use only soft cups and cool liquids.**

## Engine Starting

### Automatic Transmission

When the vehicle is stationary the automatic gear selector may be left in 'D', '2', '3' or '4', unless the vehicle is to be parked. When stopping for traffic lights, junctions etc., either select 'P' or apply the handbrake and select 'N'.

### Manual Transmission

When the vehicle is stationary it is advisable to apply the handbrake and to move the gear selector to the Neutral position.

### Before Starting

Before starting the engine, new owners/drivers should familiarize themselves with the layout and operation of the controls and instruments.



#### WARNING:

**Before attempting to start the engine, check handbrake is ON and gear selector lever (automatic transmission) is in position 'P' or 'N' or (manual transmission) in Neutral.**

### Starting a Petrol Engine

The engine cannot be started until the automatic transmission gear selector is in 'N' or 'P'.

Insert the key into the ignition switch and turn clockwise to position 'II' to switch on the ignition.

When the key is turned to position 'III' the starter motor will turn the engine until:

- The key is released and automatically returns to position 'II'.
- The ignition switch is turned to '0' or 'I'.

- The gear selector is moved out of 'P' or 'N' (automatic transmission vehicles).
- The engine starts.

Do not use the starter continuously for longer than six seconds. Continued use of the starter will discharge the battery and may damage the starter mechanism. When the engine starts, release the key. Wait until the engine stops turning before re-using the starter.

The red charge warning light in the instrument cluster should go out when the engine is running.

### If the engine fails to start

If an ignition key is placed in the ignition switch and turned to position 'II' and the alarm security light is flashing, it is possible that the engine will not start. In any event, please contact a Jaguar Dealer/Authorised Repairer to investigate the cause of the light flashing.

It is possible that the fuel system inertia switch may have tripped, see page 141 for the resetting procedure.

If the engine persistently fails to start and flooding is suspected, depress the accelerator pedal fully, hold it in this position and turn the key to position 'III' for six seconds. Release the key, remove your foot from the accelerator pedal and then attempt to restart the engine.

**Note:** *The engine cannot start whilst the pedal is fully depressed, it must be released to enable the engine to start.*

If the engine still fails to start, switch the ignition OFF and contact a Jaguar Dealer/Authorised Repairer.

## Engine Starting

### Stopping a petrol engine and locking the steering

Turn the key from position 'II' to the 'lock' position '0'. This turns off the ignition and stops the engine. The steering will be locked when the key is removed from the switch.

Leaving the key in position 'I' or 'II' will discharge the battery.

### Starting a Diesel Engine



Insert the key into the ignition switch and turn clockwise to position 'II'. Ensure the glow plug indicator light illuminates.

Once the light has extinguished, depress the clutch and do not touch the accelerator pedal. Turn the key to position 'III' to turn the starter motor. Continue to operate the starter motor without pausing, until the engine starts. Once the engine has started, release the key, which will return to position 'II'.

If the engine stalls or fails to start, the key must be turned to position 'I' before attempting to restart.

At extremely low temperatures it may be necessary to crank the engine for up to 30 seconds. If these weather conditions persist, an engine block heater is recommended.

**Caution: Do not let the engine run under full load immediately after starting. Give the lubricating oil time to reach the oiling points to prevent damage to the engine.**

### Stopping a diesel engine and locking the steering

Release the accelerator pedal. Wait until the engine has reached idle speed, then turn the key from position 'II' to the 'lock' position '0'. This will turn off the engine. The steering will be locked when the key is removed from the switch.

**Caution: Do not depress the accelerator pedal. If the engine is switched off at high speed, the turbocharger will continue running after the engine oil pressure has dropped to zero. This will cause premature wear of the turbocharger bearings.**

Leaving the key in position 'I' or 'II' will discharge the battery.

**Caution: Especially after driving at high engine speeds for any length of time, it is important to let the engine run for a time (1 minute) while stationary before switching it off. This allows the turbocharger turbine blades to cool off, while lubrication is still being fed to the turbocharger bearings.**



## Transmission

### Automatic Transmission

#### 'J'-Gate

The 'J'-gate gear selector lever is designed to accommodate two different driving techniques as follows:

- Automatic selection - the right-hand side of the selector gate.
- Manual selection - the left-hand side of the selector gate to individually select 4th, 3rd, or 2nd gear.

#### Gearshift Interlock

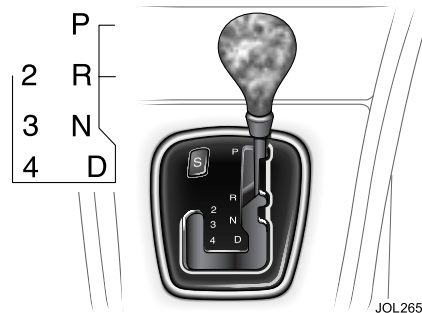
(automatic transmission only)

A brake pedal/gearshift interlock system is incorporated in the automatic gear selector mechanism.

To move the gear selector from Park:

1. Turn the ignition key to position 'II' or start the engine.
2. Press the brake pedal.

### Gear Selector Positions



JOL2654



#### WARNING:

**The handbrake or brake pedal must be applied before selecting forward or reverse drive from a stationary position.**

**P = Park** - Use when parking. In this position the transmission is locked. Do not select if the vehicle is moving.

**N = Neutral** - Disconnects the driveline from the engine. Use the handbrake when stopping temporarily.

**R = Reverse** - Do not select if the vehicle is moving forward.

The reversing lights come ON automatically when reverse gear is selected and the ignition switch is in position 'II'.

**D = Drive** - All five gears are changed automatically as required by the throttle position and road speed.

**2, 3, 4 = Second, third, fourth** - If selected, the transmission operates automatically but will not engage gears higher than the one selected.

## Transmission

---

### **Note:**

- After selecting forward or reverse drive ranges from Neutral or Park, wait briefly for the transmission to engage before accelerating.
- When in Neutral or Park the engine can only be accelerated to 3000 rev/min automatic transmission or 6000 rev/min manual transmission.

### **Drive to fourth**

When driving in gear position 'D' with fifth gear engaged, the gear selector can be shifted sideways across the gate to '4'. Provided that the vehicle's speed is not too great, the transmission will shift down to fourth. Fifth will be inhibited until the gear selector is moved back to 'D'.

### **Hill climbing and engine braking**

When driving on roads with long downhill gradients, selecting '3' or '2' (depending on road/traffic conditions) will give engine braking.

When the gear selector is moved from 'D', '4' or '3' down to '2', downshift to second gear will only take place at road speeds below 64 km/h (40 mph).

### **Shift inhibit**

Reverse is inhibited when the vehicle is moving forward at speeds above 8 km/h (5 mph).

**Note:** Reverse inhibit will not function in limp-home mode.

### **Kickdown**

Kickdown is operated when the accelerator pedal is pressed fully down, beyond the normal operating spring pressure, to provide maximum engine performance. Kickdown is used in circumstances where rapid acceleration is required, such as when overtaking.

Kickdown causes the transmission to change down to the lowest gear possible to achieve maximum acceleration.

The gear engaged depends on the road speed at the time of kickdown.

As well as shifting down, the gearshift points are extended to give greater performance. This mode is in effect for as long as the pedal is fully pressed down.

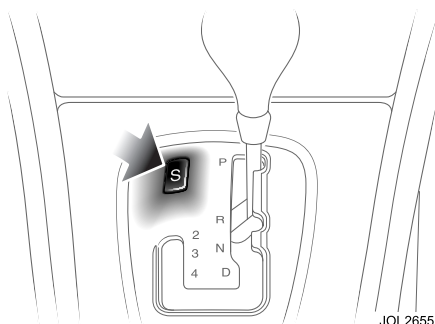
### **Limp-home mode**

In the unlikely event of an electrical or mechanical failure, transmission operation will be impaired. The vehicle gear selector ranges 'P', 'R', 'N', 'D' can still be used to enable the vehicle to be driven to a safe area.

The driver should be aware that the vehicle's performance will be reduced and must take this into account when driving. In this event consult a Jaguar Dealer/Authorised Repairer **immediately**.

## Transmission

### Sport Mode



The switch marked '**S**' on the 'J'-gate surround enables the driver to select either normal '**N**' or sport '**S**' modes.

When sport mode is selected the automatic transmission will operate normally, but the gearshift points are extended to make full use of the engine's power reserves.

To select 'Sport', press the switch. A red light within the switch is illuminated to indicate that sport mode has been selected.

To cancel 'Sport', press the switch again.

**Note:** Both sides of the 'J'-gate can be used irrespective of the transmission mode, e.g. with '**S**' selected the transmission can be operated in full automatic or by manual selection.

In addition to the 'switched' transmission modes ('**N**' and '**S**') the transmission control module will select shift patterns to suit specific conditions.

**Cruise Control** - When cruise control is operating at set speed the transmission selects a shift pattern to suit cruise control operation.

**DSC/Traction control** - When DSC/traction control is switched ON and the system is activated, the transmission selects a shift pattern to suit traction control conditions.

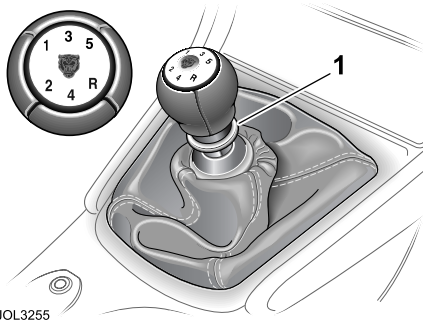
**Gradients** - When the vehicle is being driven on roads with uphill gradients, the transmission adapts the shift pattern to make better use of engine power and aid engine cooling.

**Note:** Under the conditions described above, the relevant transmission mode will override the '**N**' or '**S**' modes selected by the driver. When such conditions no longer exist, e.g. Cruise Control switched OFF, the transmission will revert to the shift pattern previously selected by the driver, i.e. '**N**' or '**S**'.

## Transmission

---

### Manual Transmission



A diagram of the gearshift pattern is set in the top of the lever knob.

Depress the clutch pedal completely when changing gear. To avoid excessive clutch wear do not drive with your foot resting on the clutch pedal.

To select reverse gear, pull up the ring (1) below the gear knob, then move the lever to the reverse position.

**Caution: Do not select reverse gear while the vehicle is moving forwards.**

## Braking System

### Anti-lock Braking System (ABS)

This system helps to prevent the road wheels from locking and skidding during emergency braking, assisting the driver to maintain full steering and directional stability.

The factor controlling ultimate stopping distance and cornering ability is tyre/road adhesion.



#### WARNING:

- **It remains the driver's responsibility to drive safely according to prevailing conditions.**
- **The fact that a vehicle is fitted with ABS must never allow the driver to be tempted into taking risks which could affect his/her safety or that of other road users.**
- **The addition of ABS cannot overcome the consequences of trying to stop in too short a distance, cornering at too high a speed, or the risk of aquaplaning.**
- **The driver should always take road conditions into account. A slippery road surface always requires more braking distance for a given speed, even with ABS. A possible increase in stopping distance compared to locked wheels may occur during ABS operation on slushy snow, gravel, sand, or some heavily corrugated or ridged warning sections of road surfaces.**

ABS optimises tyre/road adhesion under maximum braking conditions though it cannot provide increased cornering ability. There is no need for special braking techniques, such as 'pumping' the brakes, to achieve optimum braking distances and control on poor or slippery road surfaces. Tyres must be in good condition to achieve maximum adhesion.

During normal braking the ABS will not be activated. However, if the braking force applied begins to exceed tyre/road adhesion the ABS will automatically activate, preventing the road wheels from locking.

In these circumstances a pulsating effect will be felt from the brake pedal indicating that the system is functioning.

The pulsating effect is due to small fluctuations in pressure supplied to the brakes by the system to maintain full tyre/road adhesion.

Under severe braking on some road surfaces tyre noise may be apparent even though the wheels will at no time become locked.

#### ABS monitoring

The ABS control module monitors the ABS electrical system from ignition switch ON to ignition switch OFF. Any malfunction will be indicated by the anti-lock warning light coming on.

Should a fault develop in the ABS system, the brake system will still operate conventionally and with the same standard of performance as vehicles not equipped with ABS.

## Braking System

**Caution: Consult a Jaguar Dealer/ Authorised Repairer immediately if the warning light comes on while driving, a system failure is indicated.**

### **Advice on ABS braking techniques**

For optimum ABS performance these instructions on braking techniques during ABS operation should be followed:

- Do not release brake pressure when the pulsating effect is felt. Maintain a constant pressure until the manoeuvre is completed.
- To familiarise yourself with the feel of the brake pedal during ABS braking, practise an emergency stop procedure, always making sure it is safe to do so. With the seat belts fitted to all occupants, drive the vehicle at 32 km/h (20 mph) and brake sharply.
- ABS enables the driver to steer around obstacles during emergency braking. However, the consequences of turning sharply at high speed cannot be overcome by the ABS.
- Do not attempt to 'pump' the brakes to avoid skidding as this can interfere with the ABS operation. The ABS will not allow the wheels to skid under normal road conditions.
- The ABS will tend to keep the vehicle straight during braking. Because braking distances may increase under certain road conditions, it is necessary to plan and make turning manoeuvres as early as possible.

### **Emergency Brake Assist**

The emergency brake assist (EBA) system is only available on vehicles fitted with dynamic stability control (DSC). The EBA system measures the rate at which the brake pressure increases. If the system detects an emergency braking situation, EBA automatically initiates the full braking effect. This can reduce stopping distances in critical situations, which can help an inexperienced driver to stop in the same distance as an experienced driver.



#### **WARNING:**

**The EBA system is an additional safety system: it is not intended to relieve the driver of his responsibility for exercising due care and attention when driving.**

## Traction Control

### Traction Control Operation



JOL2657

All 2.0 litre petrol and diesel-engine vehicles are fitted with traction control as standard. The system will intervene to prevent wheel spin, by automatically reducing the power output from the engine and applying braking to individual wheels.

This improves acceleration, particularly on surfaces with uneven friction, for example, one wheel on ice the other on tarmac.

Traction control is always switched ON when the engine is started.

If the system is operating, the warning light in the instrument cluster will flash.

The traction control (and dynamic stability control, when fitted) system can be switched OFF by pressing the switch on the gear selector surround. The warning light in the instrument cluster will remain on and a message will be shown to indicate that the system has been switched OFF. If the switch is pressed again the system will switch ON.

**Note:** If cruise control is engaged it will automatically disengage if traction control activates.

If a message centre is fitted, a system malfunction is indicated by the message:

#### TRACTION CONTROL FAULT

Warning light: **Amber.**

For all vehicles, the instrument cluster warning light will be lit.

It is safe to drive the vehicle but the system may not activate under wheel spin or slide conditions. Report the fault to a Jaguar Dealer/Authorised Repairer as soon as possible.



#### WARNING:

- **The fact that the vehicle is fitted with Traction Control must never allow the driver to be tempted into taking risks which could affect his/her safety or that of other road users. In all cases it remains the driver's responsibility to drive safely according to the prevailing conditions.**
- **It is recommended that, if using snow chains, traction control should be switched OFF.**

When traction control is switched ON and the system is activated, the transmission selects a shift pattern to suit traction control conditions.

## Stability Control

### Dynamic Stability Control (DSC)



JOL2657

Dynamic stability control is operational whenever the engine is running, unless it has been switched off. If the system is operating, the warning light in the instrument cluster will flash.

The DSC system controls the anti-lock braking system (ABS), traction control and yaw control of the vehicle.

Yaw control determines the vehicle's direction relative to the driver's inputs (sideslip and under/oversteer). It applies braking pressure to individual wheels if excessive variation is detected. This ensures that the vehicle follows the driver's intended direction of travel.

The system will intervene to prevent wheel spin, by automatically reducing the power output from the engine and applying braking to individual wheels.

This improves acceleration, particularly on surfaces with uneven friction, for example, one wheel on ice the other on tarmac.

The dynamic stability control system can be switched OFF by pressing the switch on the centre console. The warning light in the instrument cluster will remain on and, if fitted, a message will be shown to indicate that the system has been switched OFF. If the switch is pressed again the system will switch ON.

**Note:** If cruise control is engaged it will automatically disengage if stability control activates.

If a message centre is fitted, a system malfunction is indicated by the message:

#### **STABILITY CONTROL FAULT**

Warning light: **Amber.**

For all vehicles, the instrument cluster warning light will be lit.

It is safe to drive the vehicle but the system may not activate under wheel spin or slide conditions. Report the fault to a Jaguar Dealer/Authorised Repairer as soon as possible.



#### **WARNING:**

- **The fact that the vehicle is fitted with Dynamic Stability Control must never allow the driver to be tempted into taking risks which could affect his/her safety or that of other road users. In all cases it remains the driver's responsibility to drive safely according to the prevailing conditions.**
- **It is recommended that when using snow chains, DSC should be switched OFF.**

When DSC is switched ON and the system is activated, the transmission selects a shift pattern to suit traction control conditions.



## Driving Information

---

### Before Departing

**WARNING:**

**Ensure the handbrake is on and the gear selector is in position 'P' or 'N' before attempting to start the engine.**

Before driving off, check the gauges and warning lights and messages.

Take special note of any warning light that is on.

Seat belts are provided for your safety and it is unwise, and in certain countries illegal, to commence any journey, however short, without wearing them.

### Warming Up

Do not operate the engine at high speed when first started but allow time for the engine to warm up and the oil to circulate.

### Engine Braking

When driving on mountain roads with long downhill gradients it is advisable to select a low gear.

### Headlights in Daylight

When visibility is poor the headlights with dipped beam setting should be switched on so that the vehicle may be seen more easily by other road users. The instrument illumination dimmer control adjusts the brightness of the panel lighting.

### Parking the Vehicle

When leaving the vehicle, remember the following:

- Whenever the vehicle is being parked apply the handbrake. If your vehicle is fitted with automatic transmission, move the gear selector to Park 'P'.
- Do not leave children or pets in the vehicle unattended.
- Do not leave luggage or valuables on view. Always take your valuables with you or lock them in the luggage compartment.
- Remove the ignition key and spare keys, even when the vehicle is in your garage.
- When the vehicle is unoccupied, close all windows and lock all doors securely.
- Park the vehicle where it can be seen. At night, park in a well-lit area.
- When leaving the vehicle unattended, for maximum security ensure that the doors are double-locked.
- Ensure that the keys are removed from the vehicle before locking the doors, and that all doors, the luggage compartment and the bonnet are closed.

## Driving Information

---

### Engine Oil Consumption

A certain amount of oil consumption is normal. The rate of consumption will depend on the following:

- The quality and viscosity of the oil.
- The amount of oxidation and dilution of the oil.
- Climatic conditions.
- The speed at which the engine is being operated.
- Road conditions.

Drivers should expect above normal consumption when the engine is new, and after running-in if high speeds are sustained.

### Winter Driving

#### Freeing a frozen door lock

**Caution: Do not apply a proprietary lock de-icer through the keyhole.**

Should the lock become frozen, warm the end of the key before use.

#### Windscreen wiper blades

Before driving away, clear any ice from the windscreen and check that the wiper blades are free. Switching on the heated screen will accelerate this process.

#### Frost precautions

The correct concentration of coolant must be maintained at all times when 'replenishing' or 'refilling' the cooling system.

### Touring

#### Foreign travel

Before planning foreign travel, check with a motoring organisation to ensure that your vehicle will comply with legal requirements of the countries you intend to visit.

It is advisable to carry vital spare parts to ensure serviceability in a remote area.

International motoring organisations are helpful for all aspects of long distance touring advice.

In some countries it is a legal requirement to carry spare vehicle bulbs.

#### First aid kit

A first aid kit is compulsory equipment in certain countries. Your Jaguar Dealer/Authorised Repairer can supply a first aid kit.

#### Fire extinguishers

Many countries make it compulsory to carry a fire extinguisher. Your Jaguar Dealer/Authorised Repairer can supply and fit one (see page 165).

#### Fuel in containers

Some countries forbid the carrying of fuel in containers, as do most ferry and hovercraft operators.

#### Cellular radio telephones

Ask your motoring organisation about the use of cellular radio telephones before travelling abroad, as some countries exercise controls on the importation and use of such equipment.

## Driving Information

### Roof-rack

For Saloon models, only the Jaguar approved roof-rack should be used.

For Estate models, an approved load carrier must be attached to the roof rails, before attempting to carry items on the roof. Do not attempt to attach loads directly to the roof rails.

The maximum load, including the weight of the roof rack or load carrier, must not exceed the load rating indicated on the roof-rack bars and **must** be deducted from the vehicle maximum luggage load. Do not exceed the roof load capacity (refer to page 192).

When carrying items on the roof, make sure the load is distributed evenly. It is advisable to place heavier items as low in the vehicle as possible. Make sure items placed on the roof do not obstruct the sunroof or prevent the Estate tailgate from opening.

Always ensure that items are securely fastened to the roof-rack or load carrier, to avoid the load from shifting.

Loads on the roof-rack may affect vehicle handling, especially in crosswinds or when cornering. Where possible, avoid heavy braking and sudden acceleration.

### Jaguar warning triangle

A warning triangle to give traffic advanced notice of a disabled vehicle is compulsory in many countries. A triangle, designed to international standards, is standard equipment in certain countries.

Hazard warning lights must be used with the warning triangle.

The warning triangle with its stand legs folded flat, is mounted on the inside of the luggage compartment lid (Saloon) or under the luggage compartment floor (Estate).

In an emergency, remove the triangle and unfold its stand legs. Place the triangle in the road in accordance with local traffic regulations to give oncoming traffic warning of an immobilised vehicle.

### Towing a Caravan or Trailer

Your Jaguar Dealer/Authorised Repairer, and the main motoring and caravanning organisations can advise you on towing, towing weight capacities and about regulations that apply in other countries.

The following are important points of safety, stability and comfort upon which further advice should be sought:

- Maximum braked towing weight is permissible, provided long periods of uphill driving on gradients over 8% are not undertaken.
- In high altitude mountainous regions, the thinner atmosphere can reduce engine performance.  
Above 1000 metres (3280 feet) the stipulated maximum permitted gross train weight must be reduced by 10% for every 1000 metres (3280 feet) in altitude.

## Driving Information

---

- The kerbside weight of the vehicle can be found from page 189.
- When towing, the nose weight of the caravan or trailer and the tow-bar assembly must be deducted from the permissible maximum load (see page 189).
- When towing at the maximum permissible rear axle load keep within legal towing speeds but in any case do not exceed 100 km/h (62 mph). Increase tyre pressures to 250 kPa (39 lbf/in<sup>2</sup>, 2.5 bar, 2.55 kg/cm<sup>2</sup>).
- The recommended maximum tow-ball nose weight is shown on page 192. Having a lower nose weight or exceeding the maximum nose weight limit may impair the vehicle's handling.
- It is essential that only a Jaguar tow-bar and Jaguar electrical tow-bar kit are supplied and fitted by a Jaguar Dealer/Authorised Repairer.
- Ensure that the towing vehicle's engine, transmission, suspension, brakes and tyres are fully efficient and regularly serviced. Similarly check the wheels, tyres, brakes and wheel bearings of the caravan or trailer.
- Adjust the headlight level to avoid dazzling other road users.

### **2.0 litre petrol and diesel models**

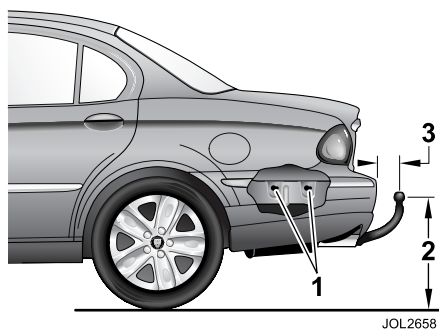
After towing a caravan or trailer in a 1st or 2nd gear hill climb for extended periods, in ambient temperatures above 25°C (77°F), allow the car to idle for five minutes before switching the engine off. This will aid engine cooling.

### **Caution:**

- 1. Using electrical kits not specifically designed for this Jaguar will damage the electrical system of the vehicle.**
  - 2. When not in use, it is recommended that the removable tow-ball is either securely stowed in the luggage compartment or, preferably, not in the vehicle. Do not leave it loose in the vehicle.**
- Avoid heavy braking. As the overrun brake on the caravan or trailer is not connected to the ABS, heavy caravan or trailer braking could critically affect the stability of the outfit as a whole.

## Driving Information

### Tow-bar Fixing Points



The rear longitudinal members are factory pre-marked (1) for drilling for tow-bar mountings. There are two tow-bar mounting points on either side of Saloon models, and three mounting points on either side of Estate models.

Tow-ball centre height from the ground at Gross Vehicle Weight (GVW):

(2) = 385 mm (15.2 inches).

Tow-ball centre distance from bumper cover:

(3) = 76 mm (3 inches).

## Fuel and Refuelling

### Safety Precautions

Before refuelling, switch off the ignition and remove the key.

**Note:** Do not leave the ignition key in the vehicle; vehicles have been stolen from garage service/filling stations whilst the driver is absent from the vehicle. It is recommended that the vehicle is locked, if left unattended.

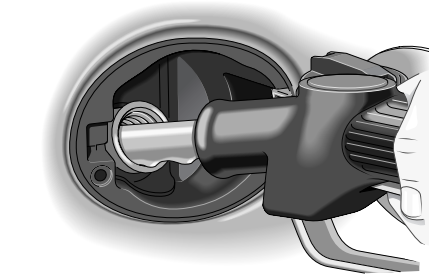
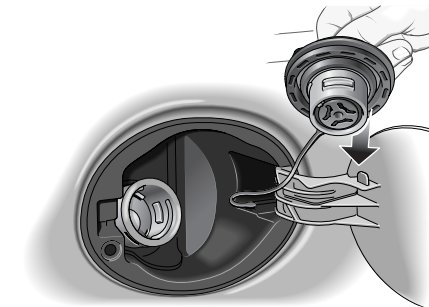
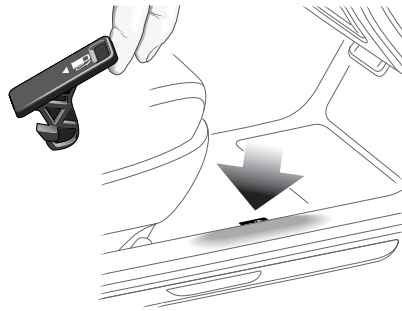
**Caution:** Do not put additives of any kind (fuel or oil) in the fuel tank. Additives could reduce engine life or affect exhaust emissions.



#### WARNING:

- Fuel vapour is highly flammable and in confined spaces is explosive and toxic. In the event of inadvertent spillage, and before refuelling, always switch OFF the engine. Do not use exposed flame or light. Do not smoke. Do not inhale fumes.
- Do not fill the tank so that fuel is visible in the fuel filler intake tube. This could cause spillage and danger from exposed fuel.

### Fuel Tank Filling



JOL2989

The fuel filler flap release is located on the floor, outboard of the driver's seat. The filler flap is on the right-hand side of the vehicle. Pull the lever to release the flap.

**Note:** Vehicles with a diesel engine have a **yellow** filler cap.

## Fuel and Refuelling

To remove the filler cap, turn it anti-clockwise approximately  $\frac{1}{2}$  a turn, until a slight resistance is met. Continue to turn the cap a further  $\frac{1}{4}$  turn and remove it from the filler neck.

If the vehicle is fitted with a diesel engine, a label on the inside of the fuel filler flap serves as a reminder to fill the tank with the correct fuel.

The cap, which is held by a retaining strap, can be stowed over the hook on the flap to allow easy access to fill the tank.

When filling, the dispenser nozzle must be inserted into the filler neck sufficiently to open the trap door for fuel to flow into the fuel tank. For quickness and to completely fill the tank, ensure that the fuel nozzle rests on the bottom of the filler neck as shown. Fill the tank until the filler nozzle automatically shuts off. Filling beyond this point could result in fuel spillage.

After refuelling, refit the filler cap in the filler neck and twist the cap clockwise until it clicks three times. Close the flap, which automatically locks shut.

The continuous use of high quality fuel makes the need for additional additives unnecessary. This will help to protect the engine components against corrosion, carbon deposit formation and prevent the fuel injection system from clogging.

If in doubt your local Jaguar Dealer/ Authorised Repairer will advise on which fuel must be used in your vehicle.

### Emission control components

Owing to the legislative requirements or options available in some countries, a Jaguar Dealer/Authorised Repairer should be consulted where any doubt exists as to the precise emission control system specification of this vehicle.

### Fuel Capacity

Avoid the risk of running out of fuel and never intentionally drive the car when the fuel gauge indicates that the tank is empty. When refuelling your vehicle after the fuel gauge reads empty, you may not be able to add the fuel quantity shown below as there will be a small reserve remaining in the tank.

Total tank capacity	61.5 litres (13.5 Imp. Gallons)
Indicated refill capacity - E to F on fuel gauge	56.5 litres (12.4 Imp. Gallons)
Unindicated (reserve) capacity	5.0 litres (1.1 Imp. Gallons)

## Fuel and Refuelling

### Fuel Requirements - Petrol Engines

**Caution: Vehicles with petrol engines must only be filled with 'Unleaded Fuel'. Leaded fuel will damage the catalytic converters.**

#### Unleaded fuel

All vehicles are fitted with a catalytic system and can only use unleaded fuel.

Unleaded fuel must be used for the emission control system to operate properly. Its use will also reduce spark plug fouling, exhaust system corrosion and engine oil deterioration.

The preferred fuel should have an octane rating of at least 95 RON (Research Octane Number).

'Super Green' Plus 98 RON unleaded fuel (where available) may be used as an alternative to the standard 95 RON unleaded fuel.

Some countries have only 91 RON fuel available. The vehicles in these countries are specially calibrated to use this fuel.

Using unleaded fuel with an octane rating lower than recommended can cause persistent, heavy 'spark knock' (a metallic rapping noise). If severe, this can lead to engine damage.

If a heavy 'spark knock' is detected even when using fuel of the recommended octane rating, or if you hear steady 'spark knock' while holding a steady speed on level roads consult a Jaguar Dealer/ Authorised Repairer to have the problem corrected. Failure to do so is misuse of the vehicle, for which Jaguar Cars Limited is not responsible. However, occasional light 'spark knock' for a short time while accelerating or driving up hill, may occur.

### Fuels containing alcohol

**Caution: Take care not to spill fuel during refuelling. Fuel containing alcohol can cause paint damage, which may not be covered under the warranty.**

Some fuel suppliers sell fuel containing alcohol without advertising its presence. Where uncertainty exists check with the service station operator.

**Note:** *Some difficulty in starting may be encountered when using alcohol blended fuel.*

#### Ethanol

Fuels containing up to 10 per cent ethanol (grain alcohol) may be used. Ensure the fuel has octane ratings no lower than those recommended for unleaded fuel. Most drivers will not notice any operating difference with fuel containing ethanol. If a difference is detected, the use of conventional unleaded fuel should be resumed.

#### Methanol

Some fuels contain methanol (methyl or wood alcohol). If you use fuels containing methanol the fuels must also contain co-solvents and corrosion inhibitors for methanol. Also, do not use fuels that contain more than three per cent methanol even if they contain co-solvents and corrosion inhibitors. Fuel system damage or vehicle performance problems resulting from the use of such fuels is not the responsibility of Jaguar Cars Limited, and may not be covered under the warranty.



## Fuel and Refuelling

### Methyl Tertiary Butyl Ether (MTBE)

Unleaded fuel containing an oxygenate known as MTBE can be used provided the ratio of MTBE to conventional fuel does not exceed 15 per cent.

MTBE is an ether based compound, derived from petroleum, which has been specified by several refiners as the substance to enhance the octane rating of fuel.

### Reformulated gasoline

Several petroleum companies have announced the availability of reformulated fuels. These fuels are specially designed to further reduce vehicle emissions.

Jaguar fully supports all efforts to protect and maintain ambient air quality and encourages the use of reformulated gasoline where available.

### Fuel Requirements - Diesel Engines

Use only high quality diesel fuel according to specification EN 590 or equivalent.

**Caution: If you inadvertently fill your vehicle with petrol instead of diesel, do not attempt to start the engine. Contact your Jaguar Dealer/ Authorised Repairer immediately.**

**Attempting to start the engine with petrol in the fuel tank will cause extensive damage to the engine and fuel system, which will not be covered by your Jaguar warranty.**

**Jaguar can accept no responsibility for any damage caused by running your vehicle with petrol in the fuel tank.**

Prolonged use of additives is not recommended. Do not add kerosene/ paraffin or petrol to diesel fuels.

### Caution:

- **Do not use RME (bio diesel) except in the case of those proprietary diesel fuels which contain a mix of up to 5%. Jaguar can accept no responsibility for damage caused by using RME in concentrations greater than 5%.**
- **Do not use vegetable oil instead of diesel. Jaguar can accept no responsibility for damage caused by using vegetable oil at any concentration.**

### Running Out of Fuel

#### (Diesel models only)

Vehicles with diesel engines are equipped with a system to prevent the fuel tank from emptying completely. When the fuel reaches a minimum level, the system will activate and simulate a misfire (i.e. the engine will not run properly). Proceed to the next filling station and refuel with at least 4 litres of fuel.

If the symptoms are ignored, the engine will eventually stop, with approximately 4 litres of fuel remaining in the tank (this prevents the fuel system from running dry, which could cause damage to the vehicle).

If the gauge indicates low fuel or the warning light illuminates, the fuel tank should be refilled as soon as possible.

## Fuel and Refuelling

---

### Catalytic Converters

A few precautions on the use of vehicles fitted with catalytic converters are necessary. These are:

- In order to maintain the efficiency of the emission control system it is essential that the correct fuel is used. If the vehicle is fitted with a petrol engine, never refuel with leaded fuel: this will seriously damage the catalytic converters. If the vehicle is fitted with a diesel engine, use only high quality diesel fuel to specification EN 590 or equivalent.
- Heavy impact on the converter casings must be avoided.
- The engine settings must not be altered; they have been established to ensure that the vehicle will comply with stringent exhaust emission regulations. Incorrect engine settings could cause unusually high catalytic converter temperatures and thus result in damage to the converter and vehicle. If adjustment to the settings is considered necessary, this should be performed by a Jaguar Dealer/ Authorised Repairer.
- A correctly tuned engine optimises exhaust emissions, performance and fuel economy and it is recommended that the vehicle is regularly maintained.
- Do not continue to operate the vehicle if any engine malfunction is evident; malfunctions should be rectified immediately. For instance, misfire, loss of engine performance, excessive oil consumption or engine run-on may lead to unusually high catalytic converter temperatures and may result in damage to the converters and vehicle.
- The use of catalytic converters increases exhaust system temperatures, therefore, do not operate or park the vehicle in areas where combustible materials such as dry grass or leaves may come into contact with the exhaust system.
- Do not run a petrol engine with either a spark plug lead disconnected or a spark plug removed. Do not use any device that requires an insert into a spark plug hole in order to generate air pressure e.g. tyre pump, paint spray attachment etc., as this could also result in catalytic converter damage.
- The vehicle is designed for normal road use. Below are examples of abuse which could damage the catalytic converters and vehicle. These may lead to a dangerous condition due to excessively high catalytic converter temperatures:
  - Competition or off-road use.
  - Excessive engine speed.
  - Overloading the vehicle.
  - Switching off the engine whilst in gear.

## Climate Control

### Introduction

This vehicle is fitted with one of the following climate control systems:

- Manually controlled system with air conditioning. See page 134.
- Automatic climate control system with an LCD (liquid crystal display) screen. See page 137.
- Automatic climate control system with touch-screen (shared with the navigation and audio systems). Where this control unit is fitted, refer to the touch-screen display handbook for detailed operating instructions.

Each system has a unique control panel located in the centre console above the radio and audio controls.

General information applicable to all three systems is given below.

### Recommended Operation

#### Use of air conditioning

The manual and automatic climate control systems are fitted with air conditioning to provide cooling and dehumidified air.

The dry airflow is also effective in preventing misting of the windows. It is recommended that air conditioning is used in all climatic conditions throughout the year, even when warm airflow is required.

Close all windows and the sunroof when the air conditioning is on to ensure satisfactory operation.

**Note:** *Selecting air recirculation will improve the performance of the air conditioning in very hot conditions.*

#### Use of air recirculation

The air conditioner/heater system is supplied with fresh air via an intake flap.

The flap may be closed to allow the air inside the vehicle to be recirculated. This helps to prevent unpleasant odours from being drawn into the vehicle.

On all systems, air recirculation may be manually selected either for an automatically timed period or to remain on continuously (latched recirculation).

When latched recirculation is selected, the air conditioning will switch on automatically to reduce condensation.

**Note:** *When air recirculation is selected, the sound of the airflow will change. This is normal.*

#### Automatic climate control systems

With automatic climate control systems, the air conditioning, recirculation and other functions are fully controlled in AUTO mode to provide optimum comfort under most driving conditions.

It is recommended that AUTO is selected as the normal operating mode on these systems.



#### **WARNING:**

**To prevent humidity build up inside the vehicle and possible screen misting, avoid driving with the air conditioning system off or in manual air recirculation for prolonged periods.**

## Climate Control

---

### General Points

To ensure the satisfactory operation of the climate control system, note the following points:

- Ensure that the external grille at the base of the windscreen, which provides fresh air for the climate control system, is kept clear of leaves, snow or obstructions.
- Air ducts under the front seats supply the rear passenger footwells (refer to illustration on page 133). Objects or material placed under the seats may block or obstruct the open ducts.
- The external air intake to the air conditioner/heater system is fitted with a filter. Ensure that the filter is changed at the specified service intervals to maintain efficient operation.
- If the air conditioning system is not used frequently, it should be run briefly at least once each week, with a cold setting, to prevent the seals from drying out with subsequent refrigerant leaks.
- Moisture removed from the air by the air conditioning unit is discharged onto the road underneath the vehicle. After stopping, puddles of water may form underneath the vehicle: this is normal.

### Auxiliary Heater (diesel only)

The auxiliary heater aids in warming the engine and interior compartment.

It is integrated into the cooling system and is automatically switched on or off depending on the coolant temperature and outside air temperature, while the engine is running.

There are two types of auxiliary heater, either fuel-fired or electric. Vehicles are only fitted with fuel fired heaters in certain cold climate countries.

It is possible that when the fuel-fired heater is activated, exhaust gas may appear from under the side of the vehicle for a short time. This is normal.

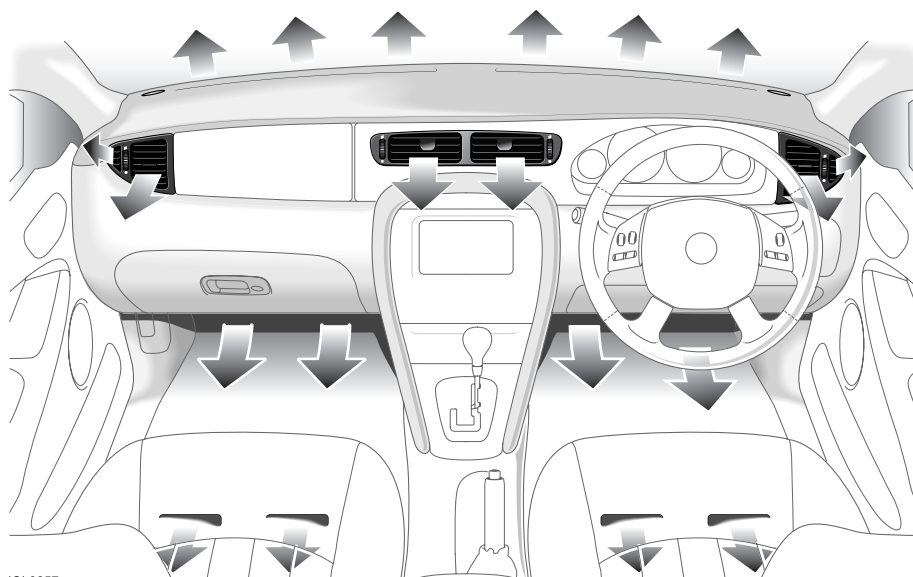
### Panel Illumination

With the exterior lighting switched on, the graphics on the panel controls are illuminated by low level backlighting.

The illumination level is adjusted by the common instrument panel dimmer control.

## Climate Control

### Air Distribution



JOL3257

The illustration shows the location of the air vents within the vehicle.

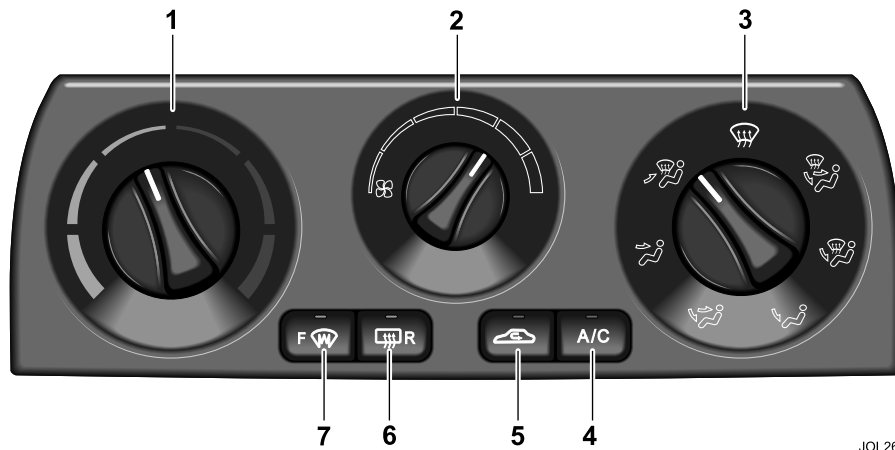
On vehicles fitted with automatic climate control, the appropriate air distribution is selected automatically when operating in AUTO mode.

On all climate control systems, the distribution of air between the screen, fascia and floor level can be manually selected using the panel controls.

The airflow from the fascia face level vents is regulated using thumbwheel controls and adjustable direction vanes.

## Manual Climate Control

### Manual Control Panel



JOL2660

1. Temperature control.
2. Blower speed.
3. Air distribution.
4. Air conditioning.
5. Recirculated/fresh air.
6. Heated rear screen.
7. Heated front screen (where fitted).

The manual climate control panel is shown here. The temperature, airflow distribution and volume of air from the interior vents are set using the rotary controls.

Push on/push off buttons control the air conditioning, screen heating and fresh or recirculated air. An amber or red LED on each button is illuminated when the selected function is operating.

The following pages describe the controls in greater detail.

**Note:** It is advisable to allow the system to stabilise before making large changes to the temperature setting, particularly at the start of a journey (see **Temperature Control** below).

### Temperature Control

Rotating the control knob (1) clockwise from the blue region to the red region increases the temperature of the airflow. The knob may be set to any position for optimum comfort.

### Blower Speed

The blower is switched off by turning the rotary control (2) anti-clockwise, until it points to the narrowest end of the scale to the left. The blower can be switched through 6 positions, providing stepped increases in blower speed.

With the blower switched off, the airflow results from the forward motion of the vehicle (ram air effect).

## Manual Climate Control

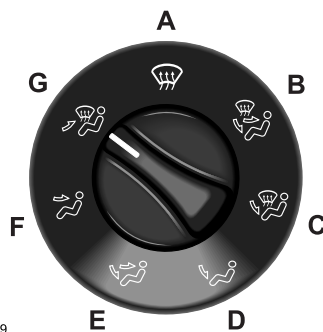
Air conditioning cannot be switched on when the blower is switched off. If the blower is switched off, the air conditioning will switch off and the LED will extinguish.



### WARNING:

Switching the blower off may increase the possibility of screen misting due to reduced airflow.

### Air Distribution



JOL2949

The rotary control has seven main air distribution positions but the air distribution changes continuously between positions as the knob is rotated. The control knob may therefore be set at any point for optimum comfort.



### WARNING:

Directing cold air onto the screen in warm humid conditions can produce external condensation.

The air distribution settings are, from the top clockwise:



Airflow directed to windscreen only (**A**); select to remove frost or heavy misting.



Airflow distributed to the windscreen, face and foot levels (**B**).



Airflow distributed to the windscreen and feet (**C**); select to prevent or remove light misting and when heating the interior.



Airflow directed to foot level (**D**); optimum position for heating interior (if warm airflow selected).



Airflow distributed to the face and feet (**E**).



Airflow directed at face level only (**F**); optimum position for cooling interior (if cool airflow selected).



Airflow distributed to the windscreen and face (**G**).

### Air Recirculation



Press the button briefly to select timed air recirculation.

To select latched air recirculation, press and hold the button until the LED flashes four times then remains illuminated.

## Manual Climate Control

To deselect air recirculation and open the fresh air intake, press the button again (LED off).

Note that air recirculation cannot be selected in position **(A)** (defrost) of the air distribution control.

Select air recirculation:

- To stop outside odours from entering the vehicle.
- To improve the performance of the air conditioning in regions of high ambient temperatures or when the interior is extremely hot. Note that air recirculation is cancelled when the ignition is switched off, and must therefore be re-selected after each engine start if required.



### WARNING:

**Prolonged operation with recirculation selected in cold, damp conditions could result in screen misting.**

### Air Conditioning



The air conditioning only operates with the blower switched on and will switch off if blower is switched off.

If the air distribution control is set to any of the screen defrost/demist positions **(A, B, C, G)**, the air conditioner switches on automatically.

Air conditioning cannot be deselected in defrost position **(A)**.

### Heated Front and Rear Screens



Pressing the push button selects the front screen heater, provided the engine is running.

The front heater switches off automatically after 3 minutes or can be switched off by pressing the button again.



Pressing the button selects the rear screen heater and both door mirror heaters, provided the engine is running.

The rear screen and door mirror heaters switch off automatically after 6 minutes or can be switched off by pressing the button again.

### Windscreen Defrost/Demist

#### Frost and heavy misting



To remove frost or heavy misting from the windscreen:

1. Start the engine.
2. Turn the air distribution mode control to the defrost/demist position **(A)**.
3. Set the temperature control to maximum to remove frost.
4. Select a blower speed, preferably maximum. The air conditioning will switch on automatically if the engine is running.
5. If fitted, select the front windscreen heater.
6. If required, select the rear screen heater; this control also switches on both door mirror heaters.

#### Light misting



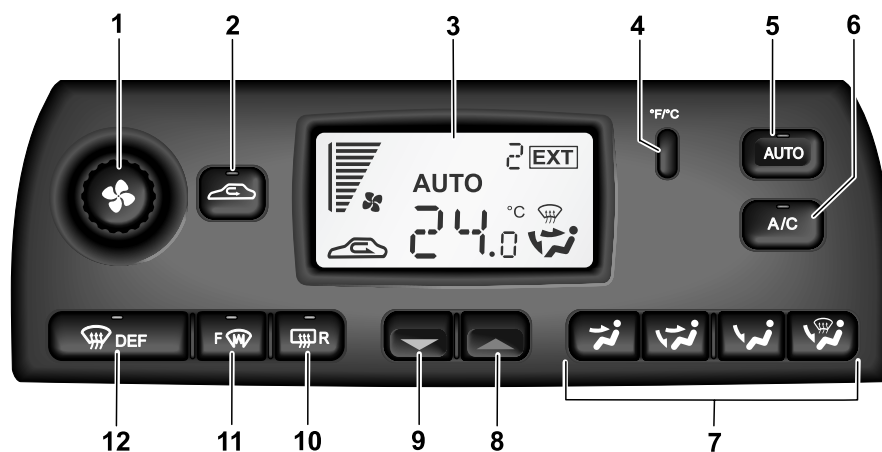
To prevent or remove light windscreen misting, select air distribution position **(C)**.

**Note:** Air conditioning will reduce misting, even when warm airflow is selected: the system will still dehumidify the air.



## Automatic Climate Control

### Automatic Control Panel



JOL3275

1. Blower speed and system on/off.
2. Recirculation/fresh air.
3. Display panel with typical symbols.
4. Celsius/Fahrenheit selector.
5. Automatic operation.
6. Air conditioner on/off.
7. Air distribution.
8. Increase temperature.
9. Decrease temperature.
10. Heated rear screen/door mirrors.
11. Heated front screen (where fitted).
12. Defrost.

The automatic climate control system maintains the interior of the vehicle at the temperature selected by the occupant. The heat input, air conditioning, blower speed, air intake and distribution are adjusted automatically to maintain the desired temperature.

**Note:** It is advisable to allow the system to stabilise before making large changes to the temperature setting, particularly at the start of a journey (see **Temperature Selection** on page 138).

Automatic control (AUTO) may be overridden at any time. Defrost/demist operation is available and also manual selection of blower speed, air distribution, recirculation, air conditioning and windscreen heating.

The climate control functions are selected by push buttons and a rotary control. When a button is pressed, selection is confirmed by a beep and illumination of the button LED.

Most functions also have associated graphic symbols displayed on the LCD (liquid crystal display) screen.

### To Switch the System On

The climate control system operates in position 'II' (run) of the ignition switch.

## Automatic Climate Control

With the ignition key turned to the run position, the system will switch on in the operating mode last set.

For normal usage select AUTO mode.

### AUTO Mode



Automatic operation provides a controlled environment over a temperature range of 17°C (61°F) to 31°C (89°F) and should be regarded as the normal operating mode.

To select automatic climate control press the AUTO button; the word AUTO appears on the LCD screen to confirm selection.

Select the required temperature.

Front and rear screen heating and timed air recirculation may be selected in AUTO mode. Selecting any other control will cancel AUTO operation.

Automatic operation cannot be deselected using the AUTO button.

To exit AUTO mode, select another mode or press the blower control knob to switch the system off.

### Temperature Selection



Set the required interior temperature with the red and blue arrowed buttons. Press the red button to increase temperature and the blue button to decrease temperature.

The selected temperature will appear on the lower part of the LCD screen.

Pressing the buttons to select the maximum or minimum temperature settings causes the display to change to HI or LO respectively and cancel AUTO mode.

To quickly jump from HI or LO to a convenient midrange temperature of 23°C (73°F), press and hold AUTO for a few seconds.

When AUTO is selected, the system constantly monitors the conditions inside and outside the vehicle. For your maximum comfort, it is advisable to allow the system to stabilise before making large changes to the temperature setting, particularly at the start of a journey.

### External Temperature

The external (EXT) temperature is displayed at the top of the screen.

### Celsius/Fahrenheit Selection



Press the button to change the scale between degrees Celsius (°C) and degrees Fahrenheit (°F) for the displayed internal and external (EXT) temperatures.

### Air Recirculation

#### Timed air recirculation



Press the button briefly to select timed air recirculation.

The fresh air intake is opened and the button LED extinguished at the end of the time out period.

#### Latched air recirculation



Press and hold the button for a few seconds to select latched air recirculation. Selection is indicated by the screen symbol and two beeps.

Selecting latched air recirculation cancels AUTO operation.

## Automatic Climate Control

To deselect latched air recirculation, press the recirculation button again, or select AUTO.



### WARNING:

**Prolonged operation with recirculation selected in cold, damp conditions could result in screen misting.**

### Windscreen Defrost/Demist

#### Frost and heavy misting



To remove frost or heavy misting from the windscreen, press the DEF button.

- The blower switches on automatically at 70% of maximum speed but the speed can be increased or reduced manually if required.
- Air conditioning switches on automatically (to dehumidify the air) and cannot be deselected.
- Recirculation is cancelled and cannot be selected.
- The front screen heater and the rear screen heater/door mirror heaters switch on automatically, provided the engine is running.

To deselect defrost mode, press AUTO (recommended operating mode, to maintain a mist-free screen).

#### Light misting



To prevent or remove light windscreen misting, select manual air distribution to windscreen and feet. See page 140.

**Note:** Air conditioning will reduce misting, even when warm airflow is selected: the system will still dehumidify the air.

### Heated Screens and Door Mirrors



The front (F) and rear (R) screen heaters may be switched on and off in

any mode, including system off, but will only operate when the engine is running. The door mirror heaters are also controlled by the rear screen heater button.

The front screen heater switches off automatically after 3 minutes. The rear screen and door mirror heaters switch off automatically after 6 minutes.

The windscreen heaters may be manually deselected during the time out period using the push buttons.

In cold ambient conditions, at the start of a journey, the front and rear screen heaters will switch on automatically for the time out period.

### Air Conditioning



Press to switch the air conditioning on or off.

The air conditioning system is controlled automatically in AUTO mode to maintain the desired temperature and humidity (even if higher temperature settings are selected). Deselecting A/C cancels AUTO mode.

The air conditioning system is also switched on automatically in defrost mode (DEF) in order to dehumidify the air: it cannot be deselected in this mode.

## Automatic Climate Control

### Blower Speed



Set the blower speed as required with the rotary control knob. Blower speed is shown as a series of bars on the LCD screen.

When operating in AUTO mode, blower speed is controlled automatically (but not displayed) and any adjustment of the knob will cancel AUTO mode.

**Note:** In AUTO mode, the blower only operates at low speed, if heating is required, until the engine is warm.

### Manual Air Distribution

Air distribution is automatically controlled in AUTO and defrost modes.

Press one of the four air distribution buttons to cancel the current mode and select manual operation. The symbol for the selected air distribution will appear on the LCD screen.

The air distribution options are:



Airflow directed at face level only; optimum position for cooling interior (if cool airflow selected).



Airflow distributed to the face and feet.



Airflow directed to foot level; optimum position for heating interior (if warm airflow selected).



Airflow distributed to the windscreen and feet; select to prevent or remove light misting and when heating the interior.

### To Switch the System Off

Press in the blower rotary control knob to switch the climate control system off.

If the blower control knob is pressed again, the system will switch on in the previous mode set.

### Ram Air

With the climate control system switched off, air recirculation is automatically selected (intake flap closed). To select fresh air with the system off, press one of the air distribution buttons.

With the blower switched off, the fresh airflow results from the forward motion of the vehicle (ram air effect).

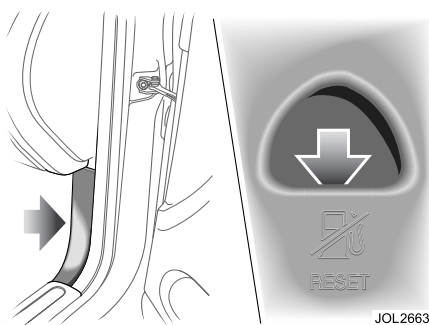


#### WARNING:

**Selecting ram air (or switching the system off when the windows are closed) may increase the possibility of screen misting due to reduced airflow.**

## Inertia Switch

### Resetting the Inertia Switch



In the event of an accident, an inertia switch will trip, isolating the fuel supply. Once the switch has tripped it must be reset before attempting to restart the engine.

The inertia switch is located behind the trim on the right-hand side of the vehicle, forward of the front door post, below the fascia. A finger access hole allows the driver to reset the switch.



#### WARNING:

To avoid the possibility of fire or personal injury, do not reset the inertia switch if you see or smell fuel.

If no fuel leak is apparent, reset the inertia switch as follows:

1. Turn the ignition switch to position '0'.
2. Press down the flexible cover on the top of the inertia switch.
3. Turn the ignition switch to position 'II', pause for a few seconds, then return the key to position '0'.
4. Make a further check for fuel leaks.

## Emergency Starting

### Rolling Start

(Manual transmission only)



#### WARNING:

- **It will not be possible to push or tow start a vehicle with automatic transmission.**
- **Only jump lead starting or the fitting of a fully charged battery is recommended.**
- **Because of the dangers to other road users, extreme caution must be exercised when attempting a rolling start.**

A rolling start is pushing or towing the vehicle at low speed, in gear (preferably 2nd) with the clutch pedal depressed and the ignition switch in position 'II'.

When sufficient forward speed is obtained, the clutch pedal is gently released and the traction force from the wheels starts the engine.

It may be difficult to start a cold diesel engine by pushing or towing the vehicle, as the cold starting system cannot be activated if the battery is flat.

### Jump Leads

Both the booster and discharged battery should be treated with great care when using jump leads. Always use high quality leads capable of carrying the starter current of the vehicle to be started.

Before commencing, the following precautions must be taken:

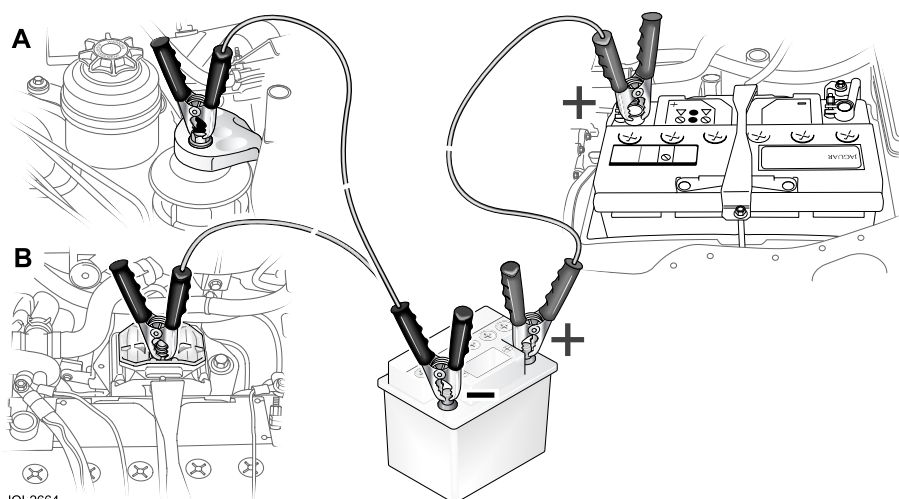
- When the battery of another vehicle is being used, ensure that the vehicles do not touch. Alternatively, remove the charged battery and place near to, not on, the vehicle with the discharged battery.
- Ensure that both vehicles have all electrical services OFF, the handbrake is ON and, with automatic transmission, 'P' is selected.
- Where the jump leads are of a different colour, e.g. red and black, use red for positive (+). This aids identification and helps to avoid crossing positive (+) to negative (-). Take extra care to avoid crossing the polarity when using cables of the same colour.

#### Caution:

- **If using a jump start vehicle, under no circumstances should the vehicles come into contact with each other. This could establish an earth connection, which may cause sparks and damage.**
- **Do not run the jump start vehicle's engine when boost starting a Jaguar vehicle. If the jump start vehicle's engine is running and the jump leads are disconnected, damage to the Jaguar vehicle's electrical system will result.**
- **The booster battery voltage must not exceed 12 volts.**

## Emergency Starting

### Emergency Start Procedure



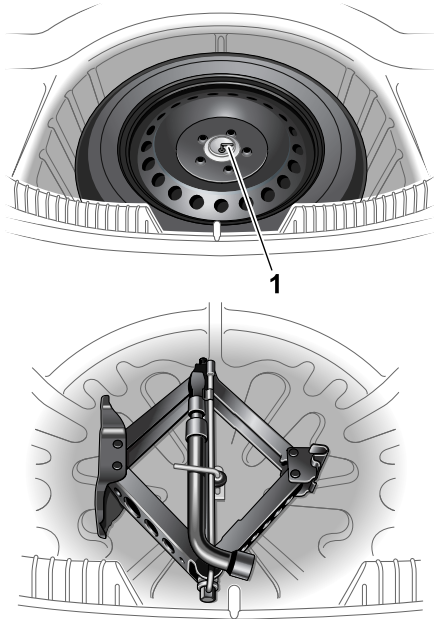
JOL2664

The following procedure must be followed exactly, being careful not to cause sparks:

1. Apply the handbrake, select 'P' (automatic transmission vehicles only), and turn off all the vehicle's electrical services.
  2. Open the bonnet to gain access to the battery.
  3. Unclip the battery cover.
  4. Attach one end of the red jump lead to the positive (+) terminal of the booster battery and the other end to the positive (+) terminal of the discharged battery. Make sure that a good connection is made.
- Caution: Do not connect the negative jump lead directly to the negative (-) terminal of the discharged vehicle.**
5. Attach one end of the black jump lead to the negative (-) terminal of the booster battery.
  6. For **petrol** models, attach the other end of the black jump lead to the right-hand engine mount (A). For **diesel** models, attach the jump lead to the left-hand engine mount (B). For all models, make sure a good connection is made.
  7. When started, allow the engine to idle for five minutes before disconnecting the cables.
  8. Disconnect the black jump lead from the engine mount point and the booster battery negative (-) terminal.
  9. Disconnect the red jump lead from the positive (+) terminals of both batteries.
  10. Refit the battery box cover.

## Wheel Changing

### Spare Wheel Location



Be prepared for a flat tyre. Know where equipment is stowed and read the wheel changing and jacking instructions carefully.

Pull off the road completely, clear of all traffic and park on as level, solid ground as possible. Switch on hazard warning lights and, where legally required, display the warning triangle.



#### WARNING:

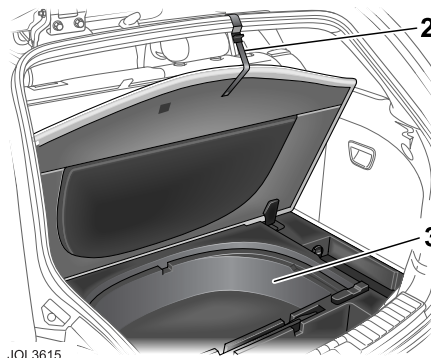
- It can be dangerous to change a wheel when the vehicle is on a slope or soft, uneven ground.

- **Wheels are extremely heavy. Take care when lifting and particularly when removing and replacing a wheel in its storage compartment.**

The spare wheel and jacking equipment are stored under the luggage compartment floor panel.

To remove the spare wheel, lift the luggage compartment floor panel. If a temporary-use spare wheel is stowed then the tray will need to be removed to gain access to the wheel. Unscrew the retaining nut (1) and remove the spare wheel. Remove the jack and wheel nut wrench (and locking wheel nut kit).

**Estate:** The floor panel of Estate models is fitted with a retaining strap (2), which can be hooked over the top lip of the luggage compartment opening. This holds the floor panel out of the way, to make access to the spare wheel easier. Remove the stowage tray (3) to access the spare wheel.





## Wheel Changing

### Temporary-use Spare Wheel

Observe the following warnings before using the wheel.

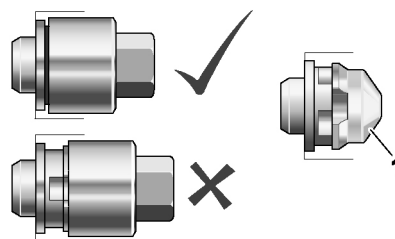
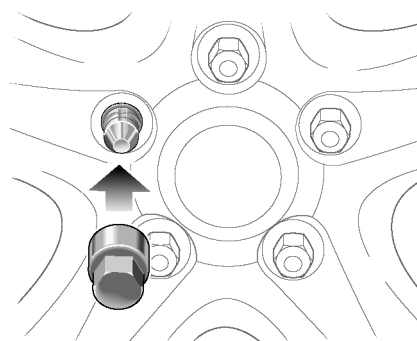


#### WARNING:

- Please note temporary-use spare wheel warning label. Adhere to instructions on the label. Failure to comply can be dangerous.
- When a temporary-use spare wheel is fitted, drive with caution and replace with the specified wheel and tyre as soon as possible.
- Do not fit more than one temporary-use spare wheel and tyre assembly at one time.
- The temporary-use spare wheel must be inflated to the correct pressure. Refer to the tyre recommendation label on the end of the dashboard on the driver's side of the vehicle.
- Temporary-use spare wheel, maximum speed is 80 km/h (50 mph).

**Note:** Maintenance information for the temporary-use spare wheel is the same as given for normal tyres.

### Locking Wheel Nuts



JOL2666

Where Jaguar locking wheel nuts are fitted (one on each wheel), they can only be removed using the correct key socket.

The locking wheel nut comprises two grooved parts, front and rear, which must be turned together to allow the nut to be fitted or removed.

To remove the nut, the front and rear grooves must be aligned. Locate the key socket in the grooves and push it fully over both parts of the nut. Fit the wheel nut wrench over the key socket and loosen the locking wheel nut.

Attempting to remove the nut without the correct key socket (such as attempted theft) or with the socket not located over the rear part of the nut, will cause the front part only (1) to turn.

## Wheel Changing

If this has happened, rotate the front part with the key socket until the grooves are re-aligned and then push the socket fully over the nut.

Should a new key socket be required, contact your Jaguar Dealer/Authorised Repairer. Proof of vehicle ownership will be required.

### Wheel Changing

1. Ensure that all passengers are in a safe place, clear of the vehicle.
2. Firmly apply the handbrake.
3. For automatic vehicles, select gear position 'P' (Park).
4. For vehicles with manual transmission, select a low gear.
5. Ensure that the jack is placed on firm and level ground.



#### WARNING:

**Before attempting to lift the vehicle with the jack, block a wheel diagonally opposite to the wheel being replaced to prevent the vehicle from rolling when jacked up.**

Before raising the vehicle, extend the telescopic wheel nut wrench and slacken, but do not remove the wheel nuts.



#### WARNING:

**Never work under the vehicle using only the jack as a support, always use axle stands or suitable supports under the jacking points.**

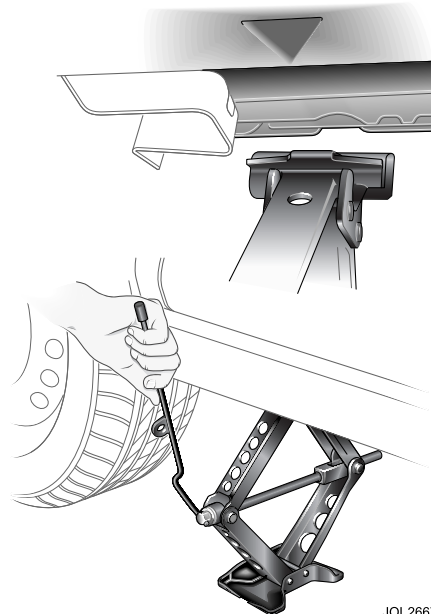
Observe the instructions printed on the jack.

Use the jack only for lifting the vehicle during wheel changing, and only use the jack which is stored in the vehicle.

Do not start or run the engine while the vehicle is only supported by a jack.

**Note:** *When one rear wheel is lifted off the ground the selection of a low gear on manual vehicles or automatic transmission 'P' (Park) position will not prevent the vehicle from moving and possibly slipping off the jack.*

**Caution:** **Ensure that when anyone requires to raise the vehicle that the jack is correctly positioned to avoid any damage to the vehicle sills or sill panels. Use only the correct jacking points; never use suspension components, bumpers or any other part of the body to lift the vehicle.**



JOL2667

## Wheel Changing

There are four jacking points, two each side of the vehicle on the underside of the floor. These provide positive location for the jack.

Two indented, triangular jack location points are provided on each sill cover.

The simplest way to correctly locate the jacking point is to feel along the sill panel to the triangular indentation and then fit the jack head to the body flange as shown in the illustration above.



### WARNING:

- Do not attempt to lift the vehicle unless the jack head is fully engaged in the jacking point.
- Ensure that the handbrake is fully applied.

Place the jack squarely beneath the appropriate jacking point. Ensure that the jack head is fully engaged. Carefully raise the vehicle by turning the handle. Stop jacking the vehicle when the tyre just clears the ground. Minimum tyre lift gives maximum vehicle stability.

Remove the wheel nuts and the wheel.

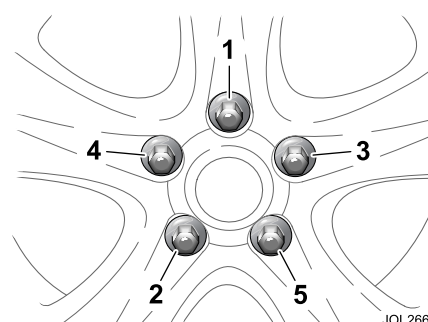
When changing the alloy road wheels, transfer the centre badge to the replacement wheel (when a full size spare wheel is used). Using the rounded end of the wheel nut wrench handle from the inside of the wheel, push the centre badge from its housing. Push the centre badge into the replacement wheel. If the temporary-use spare wheel is to be fitted, keep the centre badge safely and fit it to the repaired full size wheel when it has been refitted.



### WARNING:

When the temporary-use spare wheel has been fitted, drive with caution and replace with the specified wheel and tyre as soon as possible.

### Fitting the spare wheel



JOL2668

Fit the spare wheel and loosely secure with the wheel nuts.

Using the wheel nut wrench, lightly tighten the wheel nuts alternately using the sequence shown in the illustration.

Lower the jack and tighten the wheel nuts alternately, DO NOT OVERTIGHTEN.

At the earliest opportunity have the wheel nuts tightened with a torque wrench to:

Alloy wheels:

- 103 Nm  $\pm$  15.5 (75.95 lbf.ft.  $\pm$  11.4).

Steel wheels:

- 80 Nm  $\pm$  12.0 (59.0 lbf.ft.  $\pm$  8.5).

These torque figures must not be exceeded.

## Wheel Changing

---

### **Stowing the equipment**

Stow the jack and wrench.

Stow the replaced road wheel in the luggage compartment, position the wheel and secure with the retaining nut.

Reposition the luggage compartment floor panel.

**Note:** *Examine the jack occasionally and clean and grease the threads to ensure it is always ready for an emergency.*

## Vehicle Recovery

### Recommended Methods

#### Caution:

- The preferred and recommended vehicle recovery method is by using a flat bed transporter.
- Ensure that the recovery team do not tow with sling-type equipment since damage to the bodywork may result.

The removable towing eye is primarily for emergency use when towing for SHORT DISTANCES, e.g. removing the vehicle if it is causing an obstruction or for winching the vehicle onto a recovery transporter.



#### **WARNING:**

**When the engine is not running the steering and brakes will no longer be power assisted.**

**Therefore, be prepared for relatively heavy steering and the need for greatly increased brake pedal pressure.**

### Vehicle Failure

For towing and recovery purposes, note that the model range includes both front wheel drive (FWD) and all-wheel drive (AWD) vehicles.

Always obey towing regulations.

In certain countries the registration number of the towing vehicle and an 'ON TOW' sign or warning triangle must be displayed in a prominent position at the rear of the vehicle being towed.

When being towed, the vehicle's gear selector lever must be in neutral (position 'N') with the ignition key turned to position 'II' to release the steering lock and render the indicators, horn and brake lights operational.

### All-wheel drive vehicles

#### Caution:

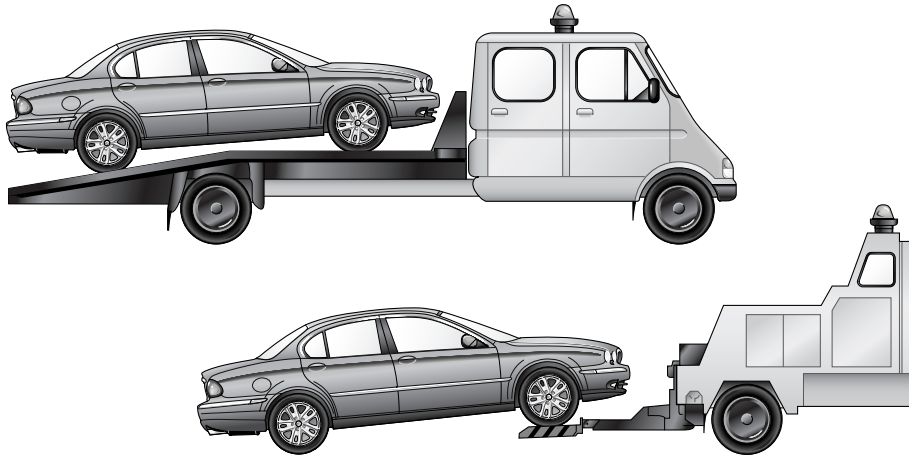
- Do not tow an all-wheel drive (AWD) vehicle with the front wheels lifted unless the propshaft to the rear wheels is disconnected at the final drive flange. If the propshaft is not disconnected, the rotating rear wheels will force the front wheels to rotate, even with the gear selector in neutral.
- The vehicle can be towed with all four wheels on the ground, provided there is no damage to the transmission, for a maximum distance of 50 kilometres (30 miles) with the speed not exceeding 50 km/h (30 mph).

### Automatic transmission

To prevent damage to the automatic transmission whilst an AWD vehicle is being towed with the rear wheels on the ground, towing distance must be restricted to 0.8 kilometres (0.5 miles). Towing speed must not exceed 50 km/h (30 mph).

## Vehicle Recovery

### Transporting



JOL2669

When the vehicle is being transported on a trailer or vehicle flat bed transporter, the handbrake must be applied, the wheels chocked and:

- The automatic gear selector lever moved to position 'N' or 'D' but NEVER to 'P'.
- The manual gear selector lever moved to the neutral position.

The vehicle must be securely tied down to the transporter or trailer. There are four transporter tie-down brackets on the vehicle underbody. Do not attach tie-down hooks to the towing eye.

#### Suspended towing

Ensure that the recovery team do not tow with sling-type equipment since damage to the bodywork may result.

**Caution: Do not tow an all-wheel drive (AWD) vehicle with the front wheels lifted unless the propshaft to the rear wheels is disconnected at the final drive flange. If the propshaft is not disconnected, the rotating rear wheels will force the front wheels to rotate, even with the gear selector in neutral.**

#### Towing Eye

A screw-in towing eye is provided in the luggage compartment with the jack and can be fitted to the front or rear of the vehicle.

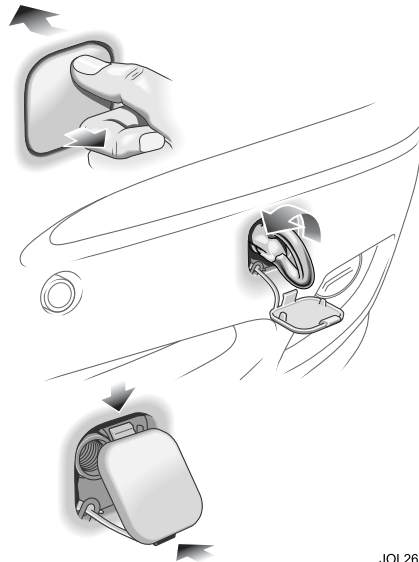
**Note:** The towing eye has a left-hand thread and must be turned in an anti-clockwise direction when fitting.

#### Caution:

- The towing eye is not suitable for 'solid bar' towing.
- Care must be taken to avoid damaging the bumpers.

## Vehicle Recovery

### Front tow point



JOL2670

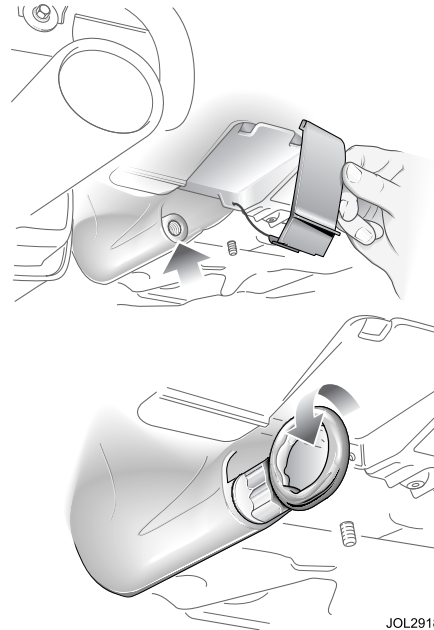
The front towing point is located behind a square cover on the face of the bumper on the left-hand side of the vehicle.

To access the towing point, push the top of the tow point cover inwards and upwards, which will cause the cover to pop out of place. Lift the cover from the access hole. The tow point cover is attached to the vehicle by a retaining strap.

Screw the towing eye into the vehicle, right up to the shoulder.

After removal of the towing eye, insert the top edge of the tow point cover into the access hole, and press the bottom edge of the cover into place.

### Rear tow point



JOL2918



#### WARNING:

**Avoid body contact with a hot exhaust pipe when fitting the eye to the rear towing point.**

The rear towing point is alongside the left-hand exhaust pipe.

Remove the small cover from the bumper. Remove the bung and screw the towing eye into the vehicle, right up to the shoulder.

## Bulb Renewal

### Overview

It is important that only Jaguar bulbs of the type specified are used when renewing bulbs.

Before renewing bulbs, switch off the ignition and light switches.

**Caution: Halogen type bulbs will be damaged if touched by hand or contaminated with oil or grease. It is important to use clean gloves or cloth when handling a bulb which is to be used again. A contaminated bulb may be cleaned with methylated spirit before refitting.**

### Main Beam (Inner) Headlight

Open the bonnet.

Turn the circular cover (1) anti-clockwise and remove.

Press the spring clip (2) towards the bulb and downwards to release the bulb.

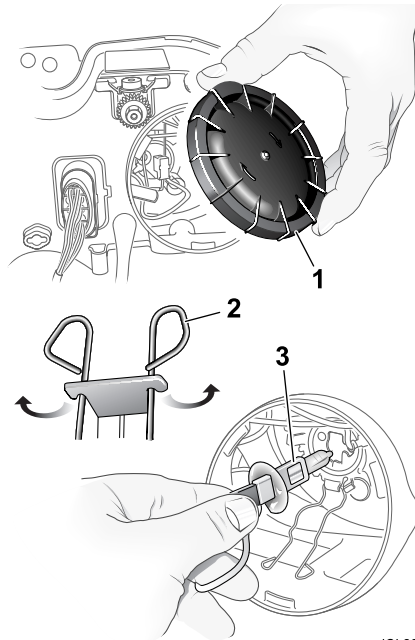
Remove the bulb/connector (3) from the headlight assembly. Pull the connector from the bulb.

Attach the connector to the new bulb, type H1 Super for main beam, and fit to the headlight. The bulb will only correctly fit in one position.

Engage the spring clips to retain the bulb and then fit the circular cover.

Refit the top cover and close the bonnet.

It is advisable to have the headlight aim checked by a Dealer/Authorised Repairer after bulb renewal.

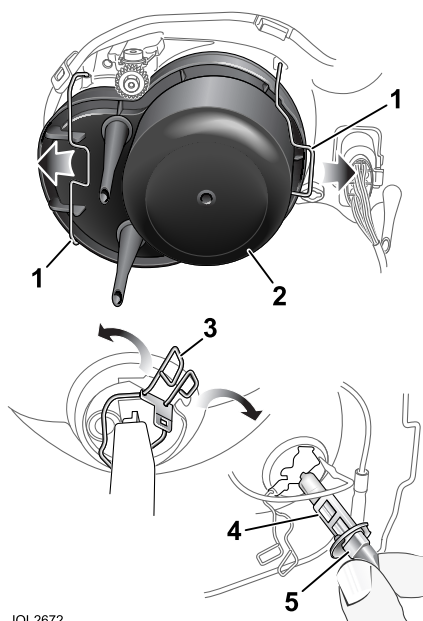


JOL2671



## Bulb Renewal

### Dip Beam (Outer) Headlight



JOL2672

Open the bonnet.

Slide open the two spring clips (1) and remove the cover (2).

Press the spring clip (3) inwards and push towards the bulb (4) to release the bulb and then remove the bulb from the light unit. Pull the connector (5) from the bulb.

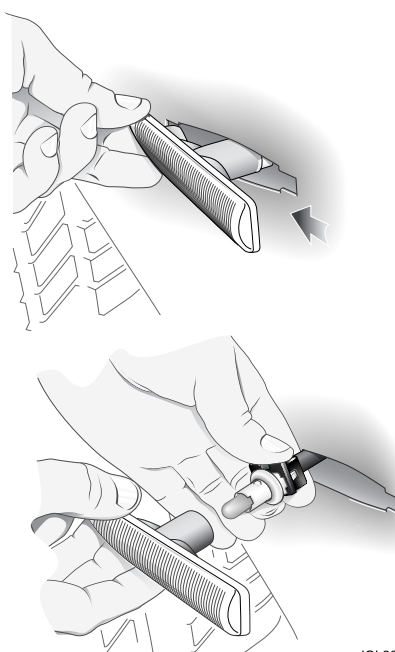
Fit a new bulb to the connector, type H1 for dipped beam.

Fit the bulb to the light unit, the bulb will only correctly fit in one position. Engage the spring clips to retain the bulb and then fit the cover and retain using the two spring clips.

Close the bonnet.

**Note:** High Intensity Discharge (HID) Xenon light units, type D2S 35W, are not renewable, contact your Dealer/ Authorised Repairer if the headlight fails to operate.

### Side Repeater Indicator



JOL2673

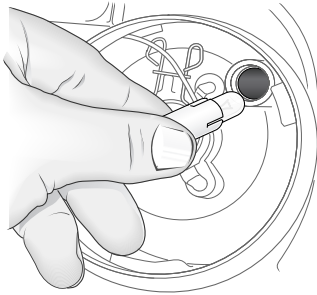
Remove the light unit by pushing the lens towards the front of the vehicle to compress the spring clip and then pull the rear outwards to remove the complete unit.

Twist the bulb holder anti-clockwise and pull it from the lens. Pull the capless bulb from the holder and fit a new one of the correct type, WY5W. Fit the bulb holder to the lens.

## Bulb Renewal

Place the inner rear of the lens unit into the recess and then push the front of the lens inwards until it clicks into place.

### Front Parking (Side) Light



JOL2674

Open the bonnet.

The front parking lights are contained within the inner headlight units.

Turn the circular cover anti-clockwise and remove.

Pull the small bulb holder from the headlight unit.

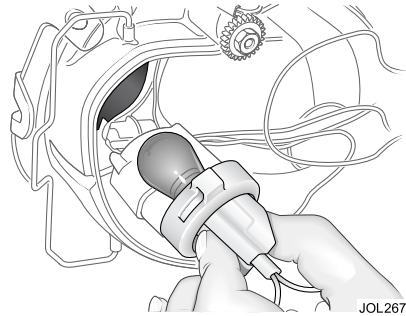
Pull the capless bulb from the holder and fit a new one of the correct type, W5W.

Push the bulb holder into the headlight unit.

Fit the circular cover.

Close the bonnet.

### Front Direction Indicator



JOL2675

Open the bonnet.

The bulb is contained within the outer headlight.

Slide open the two spring clips and remove the cover.

Turn the holder a quarter turn anti-clockwise and remove the bulb and holder.

Remove the bulb and fit a new one of the correct type, PY21W.

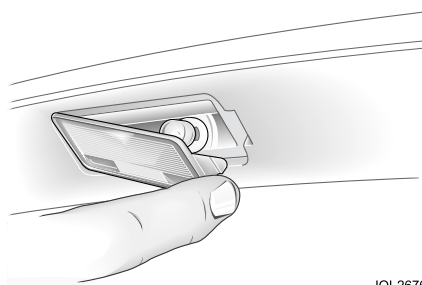
Fit the holder to the light unit, it will only fit in one position.

Fit the cover and retain using the two spring clips.

Close the bonnet.

## Bulb Renewal

### Number Plate Light



JOL2676

Push the lens clip sideways and remove the lens from the vehicle.

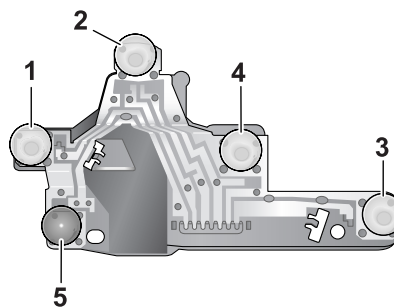
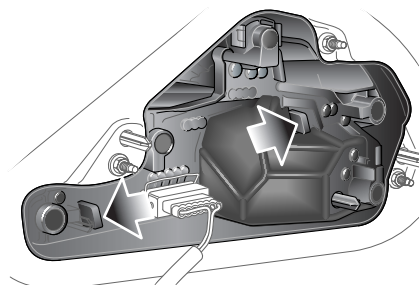
Remove the bulb and fit a new one of the correct type, W5W.

Refit the lens by pressing it firmly into the recess until it clicks into place.

### Front Fog Light

It is recommended that the front fog light bulb is renewed by a Jaguar Dealer/ Authorised Repairer.

### Rear Light Assembly - Saloon



JOL2677

The rear light assembly has the following bulbs:

1. Reverse light, type P21W.
2. Stop/tail light, type P21/5W.
3. Fog light, type P21W.
4. Tail light, type P21/5W.
5. Direction indicator, type PY21W.

Ensure that the lights and ignition switch are OFF before removing any bulbs.

Open the luggage compartment, loosen the side carpet and unclip the rear light bulb carrier.

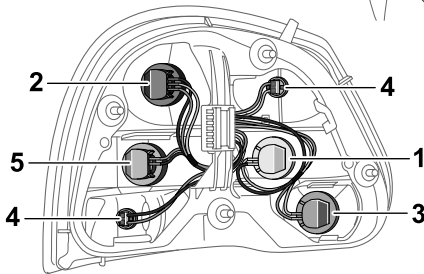
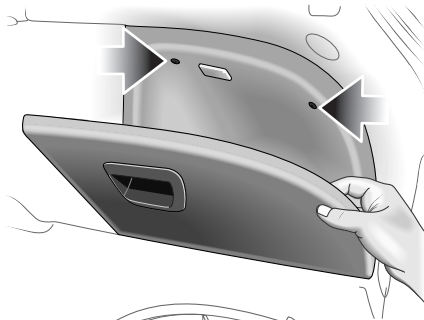
Remove the faulty bulb and fit a new one of the correct type, as illustrated on the bulb holder. Fitment of the correct type is essential.

## Bulb Renewal

Refit the bulb carrier assembly, ensuring that the clips are correctly secured.

Refit the carpet.

### Rear Light Assembly - Estate



JOL3574

The rear light assembly has the following bulbs:

1. Reverse light, type P21W.
2. Stop/tail light, type P21/5W.
3. Fog light, type P21W.
4. Tail light, type P21/5W.
5. Direction indicator, type PY21W.

Ensure that the lights and ignition switch are OFF before removing any bulbs.

Open the luggage compartment and remove the side compartment cover. Use a screwdriver to undo the fastenings (arrowed above) and remove the side compartment trim.

Each bulb is held in place by a separate bulb holder. Identify which bulb to replace, turn the holder a quarter turn anti-clockwise and remove the bulb and holder.

#### Note:

- If the vehicle is fitted with a subwoofer, remove the trim surrounding the speaker and access the right-hand light assembly through the cut-out in the subwoofer housing.
- To access the left-hand light assembly, remove the trim surrounding the CD changer and navigation unit (where fitted) by undoing the trim fastenings with a screwdriver.
- The rear view of the right-hand light assembly is shown. The left-hand assembly is a mirror image of the right-hand assembly.

Remove the faulty bulb and fit a new one of the correct type, as illustrated on the bulb holder. Fitment of the correct type is essential.

### High Mounted Stop Light

The high mounted stop light is an LED type. Should one or more LED's fail then the unit may cease to meet legal requirements and must be renewed immediately by a Jaguar Dealer/ Authorised Repairer.

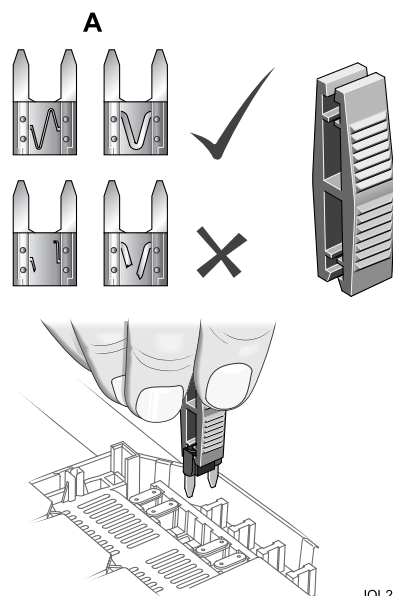
## Fuses

### Fuse Types

Fuse failure is identified by an inoperative circuit.

Do not fit a new fuse if the wiring is damaged; contact a Jaguar Dealer/ Authorised Repairer. After renewing a fuse have the circuit checked by a Jaguar Dealer/Authorised Repairer.

Make sure the new fuse is the correct rating (amperage).



Although there are several types of fuse used in the vehicle, only 'mini-fuses' (A) can be changed by the owner.

A special tool for removing and replacing mini-fuses is provided in the engine compartment fuse box, together with spare fuses.

Use only the spare fuses supplied. If a spare fuse is used, renew it with a Jaguar approved fuse of the **same** amperage rating.

### Replacing a Fuse

Make sure the new fuse is the correct rating (amperage). Fuses are colour coded according to the amperage and the rating is also marked on each fuse. The colour code is as follows:

Tan	5 amp
Dark Red	7.5 amp
Red	10 amp
Light Blue	15 amp
Yellow	20 amp
Clear	25 amp
Light Green	30 amp

### Mini-fuse replacement

Push the tool on to the suspect mini-fuse and withdraw it.

If the wire in the fuse is broken, the fuse has blown.

Fit a new fuse using the tool.

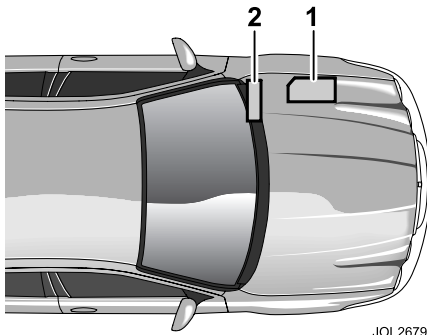
### WARNING:

- **Do not fit a fuse of a different amperage from that removed. The electrical circuits may become overloaded with the subsequent possibility of a fire.**
- **No attempt should be made to repair a fuse that has blown as this may cause a fire hazard or serious damage elsewhere in the electrical circuit.**

## Fuses

### Fuse Box Locations

There are two fuse boxes fitted to the vehicle, each one containing fuses protecting a different group of circuits.

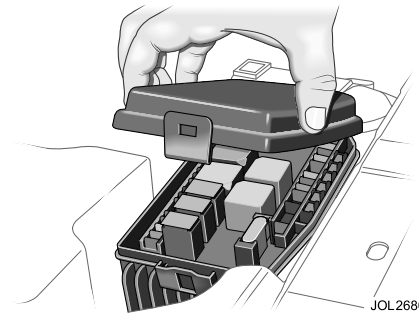


They are located in:

1. The engine compartment.
2. The passenger compartment.

**Caution: When a fuse box lid is removed, take care to protect the box from moisture, and refit the lid at the earliest opportunity.**

### Engine compartment fuse box



The fuse box is located in the engine compartment on the left-hand side adjacent to the battery.

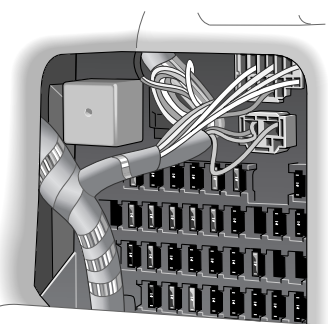
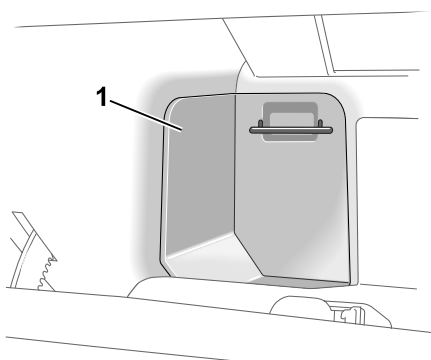
Remove the fuse box lid by pressing the retaining lug at the front of the lid and lifting the lid clear of the rear hinges.

A tool for removing the mini-fuses is located in the fuse box.

When refitting, relocate the fuse box lid in the hinges at the rear of the fuse box and press the retaining lug at the front of the lid into place.

## Fuses

### Passenger compartment fuse box



JOL3292

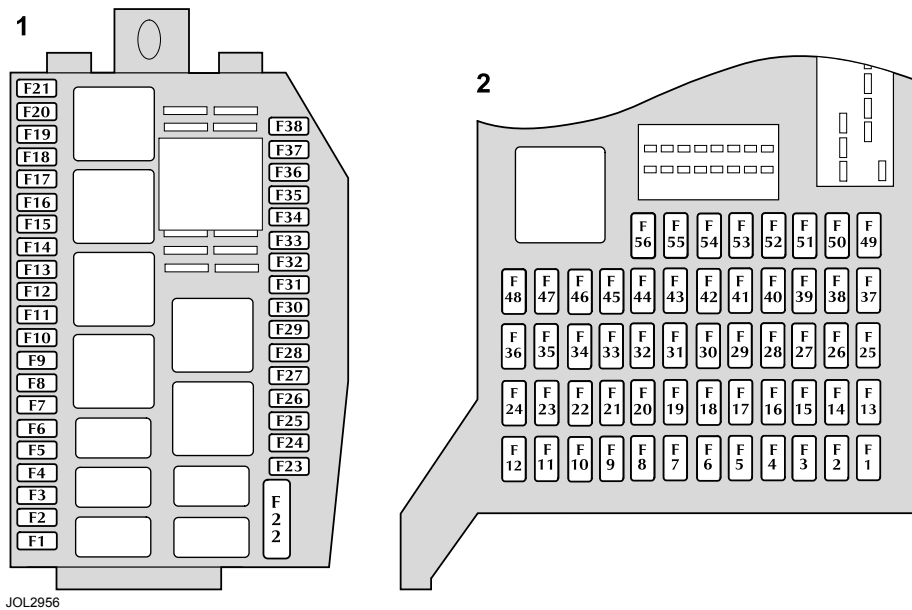
To locate the fuse box, open the glove compartment and pull out the panel (1). The fuse box is visible through the aperture.

A tool for removing the mini-fuses is located in the engine compartment fuse box.

A torch or flashlight may be required to properly identify the fuses.

## Fuses

### Fuse Positions



1. Engine compartment fuse box.
2. Passenger compartment fuse box.



## Fuses

### Engine Compartment Fuses (1)

Fuse No	Rating (amps)	Circuit
F1	10	Right-hand main beam.
F2	15	Front fog lights, master light switch.
F3	20	Horns (diesel only).
F4	10	Left-hand main beam.
F5	10	Air conditioning compressor clutch.
F6	7.5	Alternator (petrol only).
F7	5	Fuel-fired heater relay coil (diesel only).
F8	30	Wiper switch.
F9	30	Wiper switch, windscreen washer pump, wiper motor.
F10	15	Ignition coils (petrol only).
F11	15	Automatic transmission control module.
F12	7.5	Supplementary heater relay coil (diesel only).
F13	5	Traction control system, anti-lock braking system, dynamic stability control system.
F14	30	Heated front screen left-hand side.
F15	30	Heated front screen right-hand side.
F16	5	Radiator fans speed control.
F17	10	Fuel injectors (petrol only). Exhaust gas recirculation, variable geometry turbocharger control (diesel only).
F18	10	Canister purge valve, airflow meter, inlet manifold tuning valve, canister close valve, vacuum module (petrol only). Cruise control module (2.0L petrol only). Glowplug relay coil (diesel only).
F19	10	Engine control module (petrol only). Throttle motor relay (2.5L and 3.0L). Fuel pump relay (2.0L petrol).
F20	30 (petrol) 7.5 (diesel)	Oxygen sensor heaters B (petrol only). Inlet manifold valve (diesel only).
F21	30 (petrol) 15 (diesel)	Oxygen sensor heaters A (petrol only). Airflow meter, engine control module (diesel only).
F22	60	Glowplugs (diesel only. This fuse should only be replaced by a Jaguar Dealer/Authorised Repairer).
F23		Not used.
F24	30	Power wash pump.
F25		Not used.

## Fuses

Fuse No	Rating (amps)	Circuit
F26		Not used.
F27	15	Transit relay, vacuum module, battery backed sounder.
F28		Not used.
F29	See adjacent text	Left-hand dip beam, master light switch (autolights), head light levelling, instrument cluster. <b>Note:</b> This fuse is rated at 20 A for diesel models that <b>ARE</b> fitted with HID headlights, and for <b>ALL</b> petrol models. For diesel models that are <b>NOT</b> fitted with HID headlights, a 10 A fuse is required.
F30	See adjacent text	Right-hand dipped beam. <b>Note:</b> This fuse is rated at 20 A for diesel models that <b>ARE</b> fitted with HID headlights, and for <b>ALL</b> petrol models. For diesel models that are <b>NOT</b> fitted with HID headlights, a 10 A fuse is required.
F31	15	Fuel-fired heater (diesel only).
F32	15	Automatic transmission control module.
F33		Not used.
F34	30	Starter motor solenoid.
F35	5	Ignition relay coil.
F36	5 (petrol) 7.5 (diesel)	Engine control module. Battery sense to alternator (diesel only).
F37		Not used.
F38	20 (petrol) 30 (diesel)	Horns (petrol only). Auxiliary heater (diesel only).

## Fuses

### Passenger Compartment Fuses (2)

Fuse No	Rating (amps)	Circuit
F1		Not used.
F2	10	Instrument panel, electrochromic mirror, reverse light switch, reverse lights.
F3	30	Passenger seat adjustment motors.
F4	20	Accessory connectors.
F5	20	Rear wiper (Estate only).
F6		Not used.
F7	10	On board diagnostics, heated front seat modules, rain sensing system, JaguarVoice.
F8	20	Heated front seat modules.
F9	10	Driver's seat memory function.
F10	15	Sunroof module, SRX antenna.
F11	20	Left-hand (front and rear) electric window motors.
F12	10	VICS (Japan), JaguarVoice.
F13		Not used.
F14	30	Heated rear screen.
F15	10	Heated door mirrors.
F16	30	Driver's seat adjustment motors.
F17	20	Fuel pump driver module and relay.
F18	15	Rear accessory socket (Estate only).
F19	30	Tow-bar module. Rear accessory socket (Estate only).
F20	30	Premium ICE amplifier unit.
F21	20	Right-hand (front and rear) electric window motors.
F22	15	Door lock module.
F23	20	Rear screenwash pump (Estate only).
F24	20	Screenwash pump.
F25	5	On board diagnostics.
F26	10	Manual transmission cruise control clutch switch, rotary switch.
F27	5	Touch-screen.
F28	15	Front and rear accessory sockets.
F29	7.5	Rear fog lights.
F30	5	In-car telephone, PSE.
F31	15	Ignition switch.
F32	5	On board diagnostics.

## Fuses

Fuse No	Rating (amps)	Circuit
F33	5	Park aid.
F34	10	Reverse switch.
F35	15	Direction power module.
F36	20	Throttle motor relay (2.5L and 3.0L). Fuel pump (2.0L petrol only).
F37	30	Climate control blower motor.
F38	15	Exterior light switch.
F39	10	HID module, air conditioning ECU, blower motor relay coil.
F40	5	Sunroof module, electrochromic mirror, power window motors and switches.
F41	5	Passenger airbag light, passenger seat weight sensor.
F42	5	Power steering module.
F43	10	Instrument panel, telematics display, ICE head unit, antenna module, VICS (Japan), navigation system, park aid, JaguarVoice, In-car telephone, accessory relay coil.
F44	15	Navigation system ECU, CD player, ICE head unit.
F45	10	Air conditioning ECU.
F46	7.5	Power fold back door mirrors.
F47	7.5	Left-hand side (parking) lights.
F48	7.5	Right-hand side (parking) lights.
F49	10	Air conditioning ECU, interior courtesy lights, roof console, in-car sensor.
F50	5	Automatic transmission control module.
F51	7.5	Manual transmission cruise control clutch switch, brake switch.
F52	15	Cigar lighter.
F53	10	Airbag module ignition supply.
F54	5	Instrument panel ignition supply.
F55	5	Number plate lights, glove compartment light, Instrument panel.
F56		Not used.

## Fire Extinguisher

### Dealer Fitted Fire Extinguisher

Many countries make it compulsory to carry a fire extinguisher. Your Jaguar Dealer/Authorised Repairer can supply and fit one.

### Factory Fitted Fire Extinguisher (Where fitted)

Some countries have a factory fitted fire extinguisher which contains 2.0 kg (4.4 lb) of BC powder pressurised with nitrogen to a working pressure of 180 psi (12 bar) at 20°C (68°F).

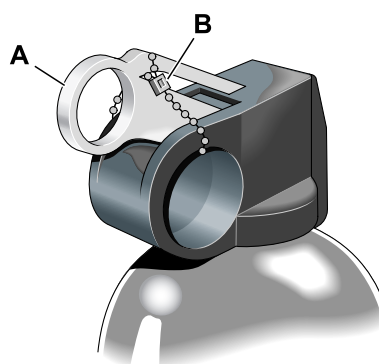
This extinguisher can be used on liquid fires, electrical equipment fires and, if no explosion risk, gasoline fires.



#### WARNING:

- Do not test the fire extinguisher prior to use. Partial discharge will render the extinguisher inoperative.
- Do not use the fire extinguisher closer than 2.4 m (8 feet) to the base of a liquid fire as the force may splatter the burning liquid to the surrounding area.

### Operating the fire extinguisher



JOL2948

1. Unclip and remove the extinguisher from the bracket.
2. Put your finger through the yellow safety wedge ring (A) and pull hard to break the safety strap (B) and then remove the wedge. The operating lever will be exposed.
3. Hold the extinguisher upright and aim at the base of the fire.
4. Press the lever down firmly.
5. Release the lever to stop the flow of powder.

### Maintenance

Every six months:

- Remove the extinguisher from its bracket and check that the nozzle is clear.
- Check that the safety wedge strap (B) is secure.

Check the pressure gauge on the base of the extinguisher. If the gauge is in the red area report it to your Jaguar Dealer/Authorised Repairer immediately as the extinguisher may not work in an emergency.

## General Maintenance

### Introduction

Owners are responsible for ensuring that the vehicle is regularly serviced at the correct distance/time intervals as specified in the 'Maintenance Schedules'. The first part of this chapter deals with regular servicing.

The condition of the tyres is of the utmost importance. Advice about tyre wear and correct usage is given in this chapter. If in any doubt about the condition of your tyres, contact a Jaguar Dealer/Authorised Repairer.

### Regular Servicing

Each vehicle is given a full 'Pre-Delivery Inspection' to ensure that all systems function correctly and the vehicle meets its specification.

Regular maintenance and servicing is the responsibility of the owner. Failure to implement maintenance at the recommended intervals could result in deterioration of vehicle performance and possible infringement of regulations.

Your Jaguar Dealer/Authorised Repairer will be pleased to arrange periodic servicing in accordance with the 'Service Portfolio' book.

### Battery/ignition isolator switches

Non-approved battery isolator switches, which disconnect the power supply to all electrical circuits, are not recommended.

### Used Engine Oil



#### **WARNING:**

**Prolonged and repeated contact may cause serious skin disorders, including dermatitis and cancer.**

Always use a hand cream to protect the skin from oil contamination.

Avoid contact with the skin as far as possible and wash thoroughly after any contact. Keep oils out of reach of children.

### Protect the Environment

Care should be taken at all times to avoid polluting the environment.

Used materials, e.g. batteries, tyres, fluids and filters, should be disposed of at suitable disposal facilities in accordance with local legislation. If in doubt, clarification should be sought from your local authority/regulator.

### Engine and throttle settings

Do not attempt to make adjustments to the engine or throttle settings.

Many vehicle systems are controlled by complex electronic devices and require specialist knowledge. Such work should be entrusted to a Jaguar Dealer/Authorised Repairer.

### Hydraulic fluid

The brake hydraulic fluid in the master cylinder and brake operating system uses non-mineral polyglycol based brake fluid with a minimum standard of JAGUAR SUPER DOT 4. ONLY FLUID OF THIS TYPE AND STANDARD MAY BE USED.

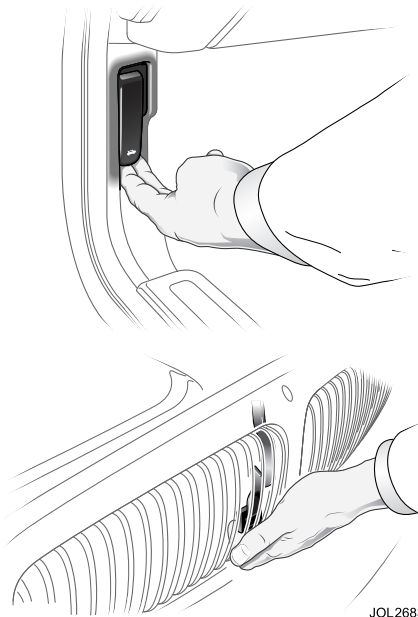


#### **WARNING:**

**Contamination of the brake system fluid by as little as 1 per cent will cause rapid deterioration of the system seals. Ensure that the brake fluid reservoir cap is securely fitted.**

## Bonnet Release

### Opening the Bonnet



#### WARNING:

Before closing the bonnet ensure that no one is obstructing the closing area and that hands and clothes are clear. Remove tools, cleaning cloths, etc., from the engine compartment.

### Closing the Bonnet

Close the bonnet to within a distance of 250 to 300 mm (10 to 12 inches) of the fully closed position, then let go to allow the bonnet to shut. Check by pulling the bonnet that both the right-hand and left-hand latches are engaged.



#### WARNING:

Take care to keep away from rotating components if the engine is running when you open the bonnet.

Release the bonnet lock by pulling the lever below the fascia on the left-hand side of the vehicle.

Lift the bonnet slightly and pull up the safety catch under the bonnet, located centrally behind the grille. The gas filled struts will assist raising the bonnet, and retain it in the fully open position.

## Regular Checks

---

### Check Intervals

In the interests of safety and reliability, it is advisable to carry out the following checks at the recommended intervals, and always before starting on a long journey.

#### Daily

Check that there is sufficient fuel for the journey intended, particularly at night and before entering motorways.

#### Weekly

**Tyres** - Check the tyres, including the spare, for condition and pressure.

**Lights** - Check that all exterior lights and direction indicators function correctly and that the lenses are clean.

**Engine oil** - With the vehicle standing on level ground, check the oil level and replenish if necessary with oil of the correct grade.

**Engine coolant** - With the engine cold, check the level of the coolant in the coolant reservoir header tank. Any loss of fluid must be checked by a Jaguar Dealer/Authorised Repairer.

**Brake/clutch fluid** - Check the level of the fluid in the brake fluid reservoir. Replenish if necessary with new, unused Jaguar approved brake fluid.

The reservoir is initially nearly full, but the level will drop as the brake pads wear. If the level appears unusually low, location of the fluid leakage must be checked by a Jaguar Dealer/Authorised Repairer.

**Power steering fluid** - With the engine cold check the level of the fluid in the power steering fluid reservoir.

Replenish if necessary with fluid of the correct specification. Any loss of fluid should be checked by a Jaguar Dealer/Authorised Repairer.

#### Monthly

**Windscreen washer fluid** - Replenish with recommended windscreen washer fluid and clean soft water. Check the operation of the washer. Use Jaguar Windscreen Washer Fluid to keep the glass clean and also to prevent the fluid from freezing during cold weather.

**Wiper blades** - Check the quality of the wipe. If smearing or juddering is evident, clean the windscreen and renew the wiper blades.

#### Drivetrain lubricants

The rear axle (final drive unit), transfer box and automatic and manual transmission units (gearboxes) will not normally require to be checked or replenished.

#### Engine Oil Consumption

A certain amount of oil consumption is normal. The rate of consumption will depend on the following:

- The quality and viscosity of the oil.
- The amount of oxidation and dilution of the oil.
- Climatic conditions.
- The speed at which the engine is being operated.
- Road conditions.

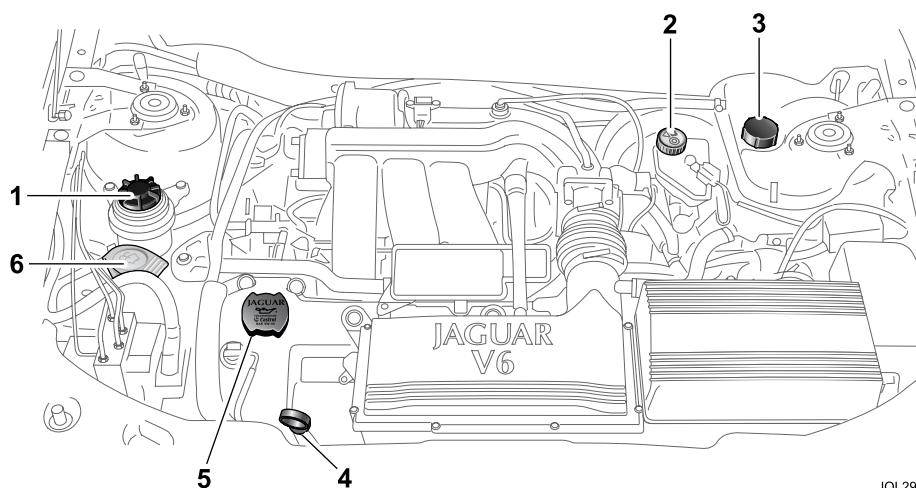
Drivers should expect above normal consumption when the engine is new, and after running-in if high speeds are sustained.



## Regular Checks

### Reservoir and Dipstick Locations

#### Petrol engines



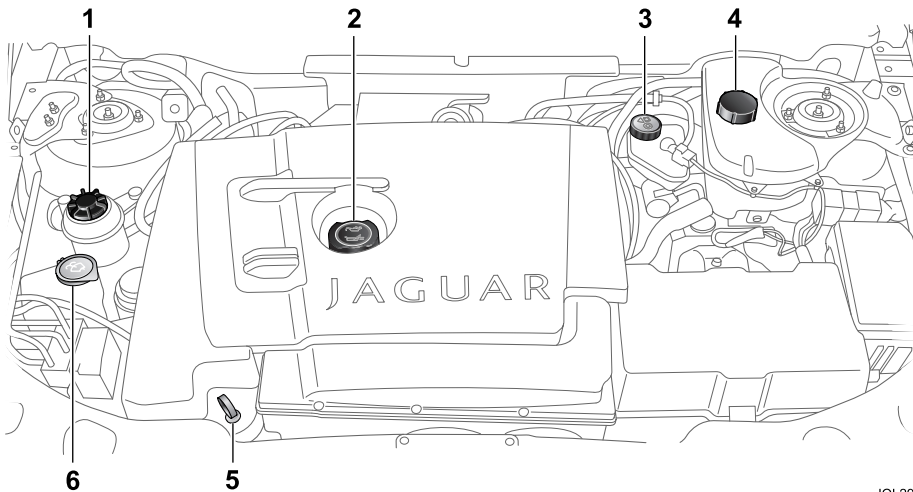
- |                              |                                 |
|------------------------------|---------------------------------|
| 1. Power steering reservoir. | 4. Engine oil dipstick.         |
| 2. Brake/clutch reservoir.   | 5. Engine oil filler.           |
| 3. Coolant reservoir.        | 6. Windscreen washer reservoir. |

#### Capacities

	Litres	Imperial Pints
Engine oil change including new oil filter.	5.8	10.2
Windscreen washer reservoir.	4.2	7.4

## Regular Checks

### Diesel Engines



JOL2958

- |                              |                                |
|------------------------------|--------------------------------|
| 1. Power steering reservoir. | 4. Coolant reservoir.          |
| 2. Engine oil filler.        | 5. Engine oil dipstick.        |
| 3. Brake/clutch reservoir.   | 6. Windscreen washer reservoir |

### Capacities

	<b>Litres</b>	<b>Imperial Pints</b>
Engine oil change including new oil filter.	6.0	10.5
Windscreen washer reservoir.	4.2	7.4

## Checking and Top-up

### Engine Oil Level

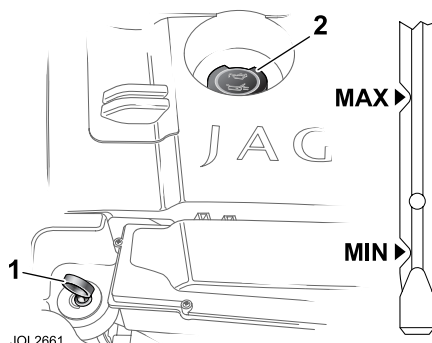
The oil consumption of your engine is influenced by many factors: new engines reach the normal value only after approximately 5,000 km (3,000 miles). Diesel engines consume slightly more oil than petrol engines. Under high loads your engine will also consume more oil.

Check the oil level regularly with the vehicle on flat, level ground. Refer to pages 169 and 170 for dipstick and oil filler locations.

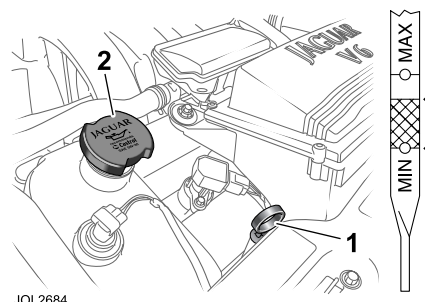
It is preferable to check the oil level after the vehicle has been standing, that is, with the engine completely cold.

If the engine has been started do not check the oil level until the engine has reached normal operating temperature. Stop the engine and wait for a minimum of 5 minutes to allow the oil to drain back into the sump.

### Diesel engine:



### Petrol engine:



Remove the dipstick (1) and wipe clean with a non-fluffy cloth. Replace fully, then withdraw the dipstick. If the oil level is above the minimum mark on the dipstick then no additional oil is required.

If the oil level reaches the minimum level, remove the oil filler cap (2) and add oil, to the quantity and specification shown: refer to Recommended Engine Oil.

Refit the filler cap and securely tighten it by hand.

**Caution: Do not use oil additives of any type. Use only specified lubricants.**

## Checking and Top-up

### Recommended Engine Oil

Jaguar recommends 

When the oil level is at the lower dipstick mark, add 1 litre (1.76 Imp. pints) of oil.

#### Oil specification - petrol engine

An oil of 5W-30 viscosity meeting Jaguar specification WSS-M2C-913 - A or B is preferred. Where this is not possible, oil meeting API SJ/EC and ACEA A1 98 or A3 98 may be used.

**SAE Viscosity Rating** - For climates ranging from -30°C (-22°F) to +50°C (+122°F), the following oil viscosities may be used:

0W-30

5W-30 (preferred)

0W-40

5W-40

**Note:** *It is recommended that the oil level is topped up using oil of the same viscosity. If you are unsure which oil viscosity is used in your car, your Jaguar Dealer/Authorised Repairer will be able to advise.*

If you are operating this vehicle in climates outside the above temperature range, contact your Jaguar Dealer/Authorised Repairer for advice.

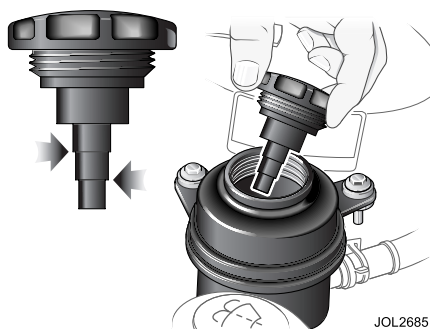
#### Oil specification - diesel engine

A mineral oil of 5W-30 viscosity meeting specification WSS-M2C-913-B must be used in all vehicles fitted with a diesel engine.

For top-up purposes only, where oil of specification WSS-M2C-913-B cannot be found, ACEA B1 or ACEA B3 specification oils may be used.

## Checking and Top-up

### Power Steering Fluid Level



JOL2685

**Caution:** It is imperative that the power steering system does not become contaminated in any way. Always dispense fluid from a fresh sealed container and clean the area around the reservoir neck both before and after replenishment. Never return drained fluid to the system.

Refer to pages 169 and 170 for power steering fluid reservoir location.

Check the fluid level when the engine is 'COLD' and the vehicle is on a flat, level surface.

Wipe clean and remove the filler cap from the reservoir; take great care to prevent any foreign matter from entering.

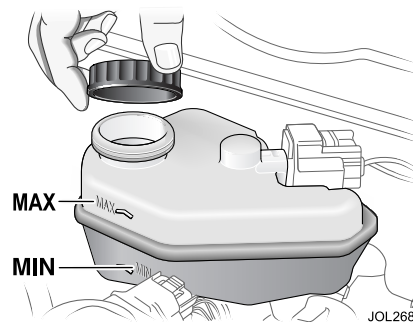
Check that the fluid level is between the marks on the dipstick.

If necessary, replenish with power steering fluid to specification **Dexron III**, DO NOT OVERFILL.

Refit the filler cap.

Should the level be very low, report the loss of fluid to the nearest Jaguar Dealer/Authorised Repairer.

### Brake/Clutch Fluid Reservoir



JOL2686

The manual transmission clutch fluid is shared with the brake fluid in a common reservoir.



#### WARNING:

The fluid level will drop as the brake pads wear. If the level is very low report the loss of fluid to the nearest Jaguar Dealer/Authorised Repairer. Do not drive the vehicle until the cause is rectified.

#### Caution:

- While handling brake fluid, take extreme care; brake fluid must not contact the vehicle paintwork.
- Always use fresh, clean fluid from a new container. Never introduce used brake fluid into the system.

Refer to pages 169 and 170 for brake/clutch fluid reservoir location.

The fluid is visible through the translucent casing of the reservoir and must be maintained at the 'MAX' mark.

If necessary, replenish as follows:

## Checking and Top-up

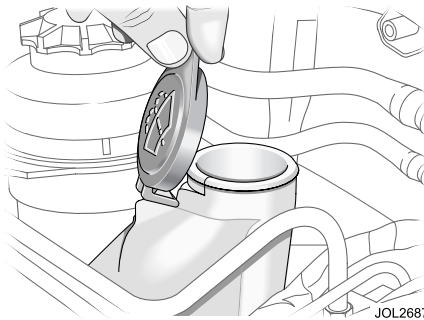
Before removing the cap, clean the reservoir and cap thoroughly with a non-fluffy cloth to ensure that no foreign matter enters the reservoir.

Unscrew the filler cap and replenish to the 'MAX' level using brake fluid to specification **Jaguar Super DOT 4 (ESA-M6C25-A)**.

Refit the filler cap securely.

To avoid contamination should any brake fluid be spilt, replace the cap on the reservoir before cleaning the spilt fluid from the vehicle.

### Windscreen Washer Reservoir



JOL2687

Refer to pages 169 and 170 for windscreen washer reservoir location.

The washer reservoir contains the fluid for the windscreen washers and the headlight powerwash system.

Fill to just below the neck with Jaguar Windscreen Washer Fluid diluted with clean, preferably soft water as specified in the instructions on the bottle.

Do not overfill.

**Note:** Using a non-approved fluid may adversely affect the wiper blade rubber, resulting in ineffectual and noisy wiping.

### Cold weather precautions

To prevent damage to the pump during freezing conditions, use Jaguar Windscreen Washer Fluid at the strength shown on the bottle, for the anticipated ambient temperature.

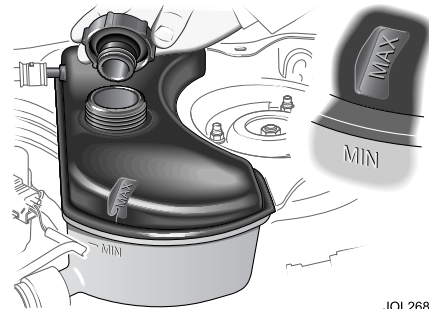


**WARNING:**

**Windscreen washer fluid in concentrated form is flammable. Be sure to observe all warnings indicated on the washer solution container.**

**Under no circumstances must cooling system anti-freeze be used, since this will damage the paintwork.**

### Coolant Level



JOL2688

The coolant level must only be checked when the engine is COLD.

Refer to pages 169 and 170 for coolant header tank location.

## Checking and Top-up



### WARNING:

**Do not remove the coolant header tank filler/pressure cap while the engine is hot. If the cap must be removed, protect the hands against escaping steam and slowly turn the cap anti-clockwise until the steam pressure starts to escape. Leave the cap in this position until the pressure is released, and then remove the cap completely.**

The coolant level should be between the two marks located on the side of the header tank. If persistent coolant loss is noticed, report this to a Jaguar Dealer/Authorised Repairer to have the cause investigated at the earliest opportunity.

### Top-up



### WARNING:

- **Anti-freeze is toxic and flammable. Be sure to observe all warnings indicated on the anti-freeze container.**
- **Do not allow anti-freeze to make contact with skin or eyes. If this should happen, rinse the affected area immediately with plenty of water.**

**Caution: Anti-freeze will damage paintwork. Avoid spillage.**

Replenish with the correct strength anti-freeze and water, until the coolant is within the 'MAX' and 'MIN' marks on the header tank.

Refit the filler cap and securely tighten it by hand until the ratchet operates.

### Engine Anti-freeze

Anti-freeze, when used at the correct concentration, not only protects the engine from frost damage in winter, it also provides all year round protection against internal corrosion.

The cooling system should be filled or replenished with a mixture of 50 per cent water and 50 per cent anti-freeze, conforming to specification:

WSS M97B44, coloured orange, Extended Life Coolant.

This mixture gives frost protection for temperatures down to  $-40^{\circ}\text{C}$  ( $-40^{\circ}\text{F}$ ).

Do not mix any other anti-freeze with that specified; inferior quality anti-freeze may be ineffective in maintaining adequate frost and corrosion protection to the cooling system.

The coolant solution may remain in the cooling system for five years or 250,000 km (156,000 miles) after which the system should be drained, flushed and refilled.

### Engine block heater

For further information consult your Jaguar Dealer/Authorised Repairer.

**Caution: The fitting of an engine block heater does not eliminate the need for anti-freeze under freezing conditions.**

# Battery







## Battery Warning Signs








JOL2689

There are two labels on the battery depicting a number of warning signs. The warning signs are as follows:

### Label A

-  No smoking, no naked flames, no sparks (Red)
-  Keep away from children (Red)
-  Shield eyes (Blue)
-  Note operating instructions (Blue)
-  Battery acid (Yellow)
-  Explosive gas (Yellow)

### Label B

-  DANGER/POISON
-  SHIELD EYES  
EXPLOSIVE GASES can cause blindness or injury
-  NO
  - SPARKS
  - FLAMES
  - SMOKING
-  SULFURIC ACID can cause blindness or severe burns
-  FLUSH EYES IMMEDIATELY WITH WATER  
GET MEDICAL HELP FAST

**General warning on the label:**  
 KEEP OUT OF THE REACH OF CHILDREN  
 DO NOT TIP  
 KEEP VENT CAPS TIGHT AND LEVEL



## Battery

### Battery Maintenance

A low maintenance battery specifically designed for use with this vehicle is fitted in the engine compartment.



#### WARNING:

- **The cell plugs and vent pipe must be in place at all times when the battery is in the vehicle. Failure to fit, or incorrect fitting of these items is potentially hazardous.**
- **To avoid injury do not use an open flame or cause an electric spark when checking the battery. Hydrogen gas generated by the battery is flammable and may explode.**
- **Do not connect any 12 volt equipment, (for example, a 12 volt lead lamp), directly to the battery terminals. Use the cigar lighter sockets for temporarily connecting Jaguar approved accessories.**
- **Do not let battery acid electrolyte come into contact with skin or eyes. If you get any in your eyes or on your skin, immediately rinse with cold water and consult a doctor.**
- **Never charge or boost a frozen battery.**
- **Switch off ignition before disconnecting battery terminals. Always disconnect the earth terminal first and reconnect last.**
- **Do not let battery acid come into contact with painted surfaces or fabric.**

The exterior of the battery should be occasionally wiped clean to remove any dirt or grease.

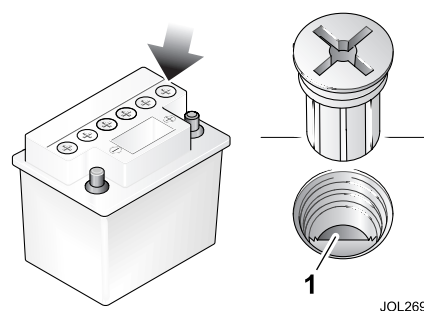
If a new battery is to be fitted, it must be the same type as the original.

The use of unapproved batteries is not recommended and could invalidate the vehicle warranty.

**Note:** *The service life of the battery is dependent on its condition of charge. It must always be sufficiently charged for the battery to last an optimum length of time.*

We recommend that the battery charge is checked frequently if the vehicle is used mostly for short distance trips, or if it is not used for long periods of time.

#### Check/replenish battery electrolyte



**Note:** *In normal climates this must be carried out at least once a year. In hot weather/climates the electrolyte level must be checked at least every three months.*

Open the bonnet and remove the battery cover.

## Battery

Unscrew the six cell plugs. Check that the electrolyte is level with the plastic level indicator (1). If necessary, replenish with distilled water but do not overfill.

If illumination is required, use a hand-held flashlight to inspect the electrolyte level.

Refit the six cell plugs and refit the battery cover.

### Alternator

To prevent damage to the alternator, do not run the engine while the battery or any of the charging circuit cables are disconnected.

The alternator has polarity-sensitive components that may be irreparably damaged if subjected to incorrect polarity. Ensure that the battery earth lead is always connected to the battery negative terminal.

### Battery Charging



#### **WARNING:**

**Batteries produce combustible gas (hydrogen) when being charged.**

**The battery must be removed from the vehicle before charging commences.**

To disconnect the battery, refer to 'Battery lead disconnection' below.

When charging the battery ensure that the charge voltage is the same as the nominal voltage of the battery.

Switch off the charger before connecting or disconnecting terminal connections to avoid sparks and short circuits.

Ensure that the charger positive (+) lead is connected to the positive (+) terminal of the battery and the negative (-) lead is connected to the negative (-) terminal of the battery.

Do not remove or loosen any of the cell plugs when charging the battery.

Check, and if necessary replenish, the electrolyte level when the battery is fully charged.

### Battery lead disconnection

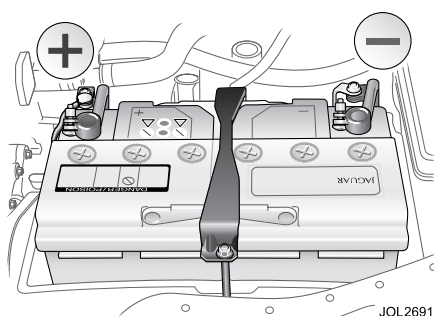
#### **Note:**

- *Upon battery lead reconnection the radio security code will be required and the clock will need to be reset.*
- *Electrically operated door windows must be reset to learn the anti-trap function.*
- *If the battery is disconnected for more than 72 hours the radio preset channels will need to be reset upon battery reconnection.*
- *The trip computer will lose all recorded trip data and all trip functions will be reset to zero. The vehicle total odometer reading is retained.*

#### **Caution:**

- **Under no circumstances should a battery be disconnected whilst the ignition circuit is live, as permanent damage to the instrument cluster may occur.**
- **Disconnect the negative lead (earth terminal) first.**

## Battery



JOL2691

Open the bonnet and unclip the battery box cover. Remove the positive terminal cover.

Slacken the negative lead pinch bolt and disconnect the negative (-) battery lead. Slacken the positive lead pinch bolt and disconnect the positive (+) battery lead.

Clean the battery posts and coat the post bases with petroleum jelly.

### Battery lead connection

Make sure the battery is replaced in the centre of the battery tray when refitting and that the clamping bar is also placed centrally.

**Note:** Upon battery reconnection the security system will be armed. Opening any protected entry will sound the alarm. Make sure that a key or key transmitter is available.

**Caution: Do not overtighten the pinch bolts.**

Connect the positive (+) lead, tighten the pinch bolt and clip the positive terminal cover on the battery. Connect the negative (-) lead and tighten the pinch bolt.

After the battery has been reconnected and the ignition switch is turned to position 'II', the message centre display, if fitted, will initially show an erroneous reading i.e. - - - - -. This will remain until after the bulb check sequence, when the correct recorded mileage will be displayed. This is a normal function of the instrument cluster.

**Note:** When the battery is disconnected and reconnected, some abnormal drive symptoms may occur while the vehicle relearns its adaptive strategy. The vehicle may need to be driven 16 kilometres (10 miles) or more to relearn the strategy.

Reset the clock to the correct time.

The radio will not operate until the correct security code has been re-entered. Refer to the audio systems handbook.

Reset the window anti-trap feature.

## Wiper Blades

### Cleaning the Windscreen

Use Jaguar Screen Clean Paste to remove contamination from the windscreen to ensure effective wiping or if smearing or juddering becomes evident. A more aggressive cleaning agent may be required to remove stubborn contamination. Contact a Jaguar Dealer/ Authorised Repairer for advice.

To ensure that the windscreen remains smear-free, the washer system should be operated whenever the wipers are used, even when it is raining.

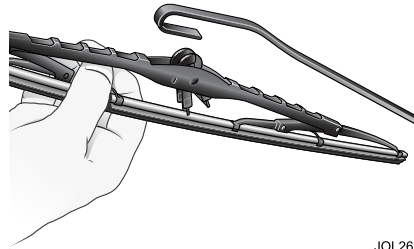
### Wiper Blade Cleaning

Lift the wiper blades clear of the windscreen and wipe the blades with a clean, soft cloth moistened with water to which a mild liquid detergent has been added.

Inspect the wiper blades, and if there are any signs of wear or damage; renew the blades.

Renew the wiper blades before and after each winter, or more often if required.

### Wiper Blade Renewal



Move the wiper arm away from the windscreen, squeeze the retaining clip and withdraw the wiper blade from the arm. After fitting the new blade, check that it is held firmly in position. Reposition the wiper arm and blade onto the screen.

### Windscreen Washers

Two windscreen washer nozzles are mounted on the bonnet. Each nozzle directs two spray patterns to the windscreen.

**Note:** *The windscreen wiper jets and headlight washer jets are not adjustable.*

## Tyres

### Tyre Specifications

Tyres of the correct type, manufacturer and dimensions, with correct cold inflation pressures are an integral part of every vehicle's design. Regular maintenance of tyres contributes not only to safety, but to the designed function of the vehicle. Road-holding, steering and braking are especially vulnerable to incorrectly pressurised, badly fitted or worn tyres.

Tyres of the correct size and type, but of different make have widely varying characteristics. It is therefore recommended that Jaguar approved tyres are fitted to all wheels.

Always ensure that the wheel nuts are fully seated before finally tightening the nuts in alternate sequence.

### Tyre Renewal

When renewing tyres, it is preferable to fit a complete vehicle set. If either front or rear tyres only need to be renewed, new tyres must be fitted, as axle sets, to replace worn ones.

After new tyres have been fitted the wheels need to be dynamically balanced.

The radial ply tyres specified are designed to meet the high-speed performance capability of this vehicle.

Do not fit tyres with a different tread pattern, size or speed rating.

### Tyre Pressures

A tyre recommendation label is visible on the end of the dashboard on the driver's side of the vehicle, giving information specific to the vehicle's wheel and tyre equipment.

The tyre pressures recommended provide optimum ride and handling characteristics for all normal operating conditions. The pressures should be checked and correctly set each week, with the tyres cold.

Tyre temperatures and pressures increase when running. Deflating a warm tyre to the recommended pressure will result in under-inflation which may be dangerous.

A slight natural pressure loss occurs with time. If this exceeds 14 kPa (2 lbf/in<sup>2</sup>, 0.14 bar, 0.14 kg/cm<sup>2</sup>) per week, the cause should be investigated and rectified.

**Note:** *It is an offence in certain countries to drive a vehicle with tyres that are not inflated in accordance with the vehicle's proper use.*

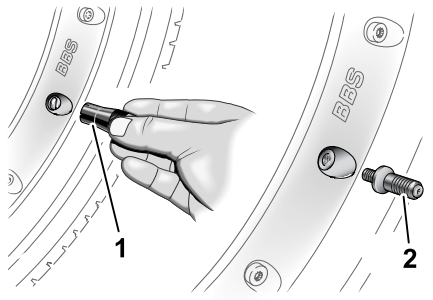


#### **WARNING:**

**When using tyres other than those recommended by Jaguar, do not exceed the speed capacity recommended by the manufacturer.**

## Tyres

### 'R' performance wheels



JOL2693

These wheels have a slotted valve cover on the wheel face. A pouch containing a special tool and a valve adaptor, for use with these wheels, is stowed in the glove compartment.

To access the valve, unscrew the slotted valve cover using the special tool (1). Screw in the adaptor (2) and hand-tighten.

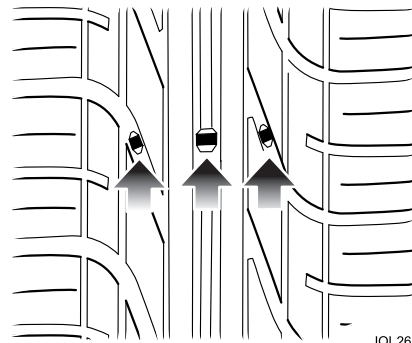
After checking the pressure, remove the adaptor and refit the valve cover.

The special tool will grip the valve cover, making it easier to refit.

### Wear

All tyres fitted as original equipment include tread wear indicators (TWI) in their tread pattern. When the tread has worn to a remaining depth of 1.6 mm the indicators appear at the surface as bars which connect the tread pattern across the full width of the tyre.

It is illegal, in certain countries, to continue to use tyres after the tread has worn to less than 1.6 mm over three quarters of the width and the entire circumference of the tyre.



JOL2694

It should be noted that the properties of many tyres alter progressively with wear. In particular the 'wet grip' and aquaplaning resistance are gradually but substantially reduced. Extra care and speed restriction should therefore be exercised on wet roads as the effective tread depth diminishes.

Incorrect wheel alignment will accelerate tyre wear. Fins on the inner or outer edges of the tread pattern are caused by excessive toe-in or toe-out respectively. As fins may also be caused by high cornering speeds or road camber, it is advantageous to have the cause detected by having the wheel alignment checked.

### Tyre repair

It is recommended that damaged tyres are discarded and new tyres fitted. They must not be repaired in view of the high performance capability of the vehicle.

## Tyres

### Damage

Excessive local distortion can cause the casing of a tyre to fracture and may lead to premature failure. Tyres should be examined especially for cracked walls, exposed cords, etc. Flints and other sharp objects must be removed from the tyre tread; if left in they may work through the cover. Clean off any oil or grease contamination by using a suitable cleaner.

**Caution: Do not use paraffin (kerosene), because this has a detrimental effect on rubber.**

### Tyre use after vehicle storage

After a long period of a vehicle standing, tyres may become locally distorted with a flat area. This will cause an uneven ride for a few miles until the tyres have warmed up and the 'flat' rounds off.

However, to reduce the effects of flat-spots, the tyres of a stored vehicle may be inflated to pressures not exceeding 343 kPa (50 lbf/in<sup>2</sup>, 3.4 bar, 3.5 kg/cm<sup>2</sup>).

### Winter (Snow) Tyres

The tyres fitted as original equipment are designed with a rubber compound, tread pattern and width specially suited for high speeds in normal road conditions, but they are less suitable during extremes of low temperatures, snow and ice. The use of winter tyres will considerably improve the vehicle's handling during these conditions.

It is recommended that only Jaguar approved winter tyres are used, as follows:

Pirelli 205/55R 16

or

Continental 205/55R 16

Pirelli 205/50R 17

Pirelli 225/45R 17

Tyre directional indicators must be rotating in a clockwise direction when viewed from the right-hand side of the vehicle, and anti-clockwise when viewed from the left-hand side of the vehicle.

Do not exceed 210 km/h (130 mph) when using Jaguar approved winter tyres.

Winter tyres must be used in vehicle sets, that is, fitted on all four wheels.

If non-Jaguar approved winter tyres are fitted, the tyre pressure may need to be altered: refer to the tyre pressure information on the label visible on the end of the dashboard on the driver's side of the vehicle.

### Snow Chains

Snow chains, of the recommended type, may only be fitted to 16 inch front wheels.

**Caution: Snow chains must not be fitted to 17 inch wheels or above.**

Contact your Jaguar Dealer/Authorised Repairer for details and availability of approved snow chains.

The maximum speed when using snow chains is 48 km/h (30 mph).

Remove the snow chains immediately the roads are clear of snow.

Ensure the fitting instructions supplied with the snow chains are kept in a safe place, for example, with this literature pack.

**Note:** *Traction control or (if fitted) Dynamic Stability Control, **MUST** be switched **OFF** when using snow chains.*

## Vehicle Care

### Interior Care

Brush and clean the interior regularly. Use a vacuum cleaner where possible to remove all dust from the interior and trim.

A valet kit containing a selection of Car Care products is available from the Jaguar accessory range.

### Carpets

Marks or stains can be removed by gentle scrubbing with a weak solution of soap and warm water.

For more stubborn stains a commercially available carpet cleaner should be used. See your Jaguar Dealer/Authorised Repairer for advice.

### Headlining

Remove dust in the headlining with a vacuum cleaner. To remove stains, dab gently without pressing, using a fluff-free white cloth, moistened with Jaguar Upholstery Cleaner.

Do not use methylated spirit or solvents as this may cause damage or discoloration to the headlining.

### Leather upholstery

For information about the care and maintenance of leather upholstery, refer to page 23.

### Cloth upholstery

Weekly light vacuuming can extend the life of the fabric.

Using Jaguar Upholstery Cleaner, following the instructions, will preserve and enhance cloth upholstery. Test the upholstery cleaner solution on an unseen part of the seat. Do not over wet.

### Caution:

- **Never use soap, ammonia, bleach or other cleaners intended for use on hard surfaces.**
- **Do not use upholstery cleaner on electrical equipment such as fascia switches.**

### Removing stains

Most stains on woollen fabric can be removed if treatment is carried out immediately, before the stain has a chance to 'dry-in'.

Keep the necessary cleaning materials in a convenient place.

Most stains can be treated with one of three cleaning fluids: Jaguar Upholstery Cleaner, dry cleaning fluid or clean water.

Mop up excess liquid with absorbent tissue (preferably white) or absorbent cloth; scoop up dry solids. Work inwards from the edge of the stain to prevent spreading. Use small amounts of cleaning liquid, blotting between applications.

Work slowly and thoroughly using light pressure. If the stain cannot be removed, contact a reputable dry cleaners.



### WARNING:

**Dry cleaning fluids may be toxic or flammable. Take adequate precautions when handling these products.**



## Vehicle Care

---

### Exterior Care

**Note:** All the cleaning materials mentioned in this section are available from the Jaguar Accessory Range.

#### Washing

For best results, do not wash the vehicle under strong sunlight. Always allow the vehicle to cool down before washing.

Do not use a dry cloth to wipe dirty paintwork. Dust and gritty substances are abrasive and will scratch the paintwork. Remove dirt using a cellulose sponge and plenty of warm (never hot) water. Rinse off with clean water and dry using a clean, damp chamois leather.

Do not use household soaps or detergents. The use of Jaguar Vehicle Shampoo is recommended.

Do not direct hoses at full force around door and luggage compartment seals. Using high pressure water jets on the paintwork is not recommended.

Do not allow bird droppings or tree sap to harden. Remove from paintwork immediately with a lukewarm soap and water solution.

In winter, when salt is used on the roads, wash the vehicle frequently, and immediately after encountering such conditions. Clean undersides and wheel arches using a high pressure jet.

### Automatic car wash

**Note:** Regular use of automatic car washes tends to dull the lustre of the paintwork.

After leaving the car wash, switch on the windscreen wipers immediately to remove water and prevent a build up of wax. Jaguar Screen Clean Paste can be used to clean any residual wax from the glass.

#### Removing grease or tar

Remove grease or tar with Jaguar Tar Remover or methylated spirit (alcohol). White spirit is also effective, but must not be applied to rubber, particularly the windscreen wiper blades.

#### Glass surfaces

To avoid scratching glass surfaces, do not clean dirty glass with dry paper or cloth. Use clean, warm water and a chamois leather which is reserved for glass only.

The following products will ensure glass surfaces and windscreen wipers are kept in good condition:

Jaguar Screen Clean Paste - Apply to the exterior of the windscreen only to ensure effective operation of the windscreen wiper.

Jaguar Glass Cleaner - Interior and exterior of all other glass surfaces.

Jaguar Screen Wash - Washer reservoir additive.

Jaguar Winter Care Kit comprising de-icer, ice scraper, anti-mist wipe cloth and aerial cleaner - for use in adverse weather conditions.

## Vehicle Care

### **Note:**

- *Renew the wiper blades when worn to prevent scratching. Clean the rubber wiper blades regularly with a mild detergent solution.*
- *It is advisable to clean the windscreen with Jaguar Screen Clean Paste at regular intervals.*

### **Cleaning the rear screen**

To avoid damaging the heating and radio elements when cleaning the inside of the rear screen use only a soft damp cloth or chamois leather. Do not use solvents or sharp objects to clean the glass.

### **Polishing paintwork and brightwork**

For maximum protection against road dust, salts, industrial fall-out etc., it is recommended that the vehicle is polished regularly using Jaguar Polish and a Polishing Cloth.

**Note:** *The vehicle's brightwork should be cleaned in the same way as the paintwork: chrome polish and other abrasive cleaners must not be used.*

### **Paint chips**

Scratches and chips should be touched in before weathering action begins. Inspect the paintwork immediately after the vehicle has been washed.

### **Underbonnet cleaning**

Underbonnet cleaning using high pressure hoses or steam cleaners should be done by a Jaguar Dealer/Authorised Repairer.

Indiscriminate use of cleaning equipment could damage or contaminate the electronic control modules and fuse boxes.

### **Care of Alloy Road Wheels**

The alloy road wheels are covered with a protective anti-corrosion coating.

To prevent corrosion it is essential that this coating is not damaged.

When removing or fitting tyres always advise the tyre fitter to treat the alloy wheels with great care and to only use equipment with spigot or stud hole clamping. The equipment must not have any moving parts which contact the wheel, and tyre levers must not be used.

Wash the wheels with soap and water at two week intervals to avoid an accumulation of particles which could become embedded in the wheel surface. In salty conditions the wheels should be cleaned weekly.

In compliance with German Road Traffic Law the size of the wheel rims is stamped or cast on all wheels.

## Electrical Accessories

### Use of Accessories



#### WARNING:

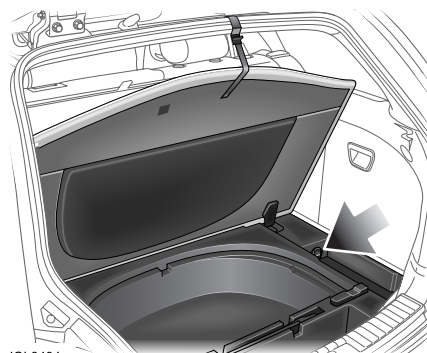
Alterations to the electrical system, including the fitting of accessories not designed for this Jaguar, will cause damage to the electrical circuits and systems. In some circumstances this could result in a malfunction or fire. All accessory work should be entrusted to a Jaguar Dealer/Authorised Repairer.

The cigar lighter sockets can be used for plug-in accessories which are only temporarily connected to the vehicle (for example, a car vacuum cleaner).

#### Caution:

- Under no circumstances must the power supply be obtained directly from either battery terminal.
- The use of non-approved accessories can reduce the battery capacity and charge period to an unacceptable level, therefore, Jaguar cannot accept any liability for the fitment of any such item.

### Estate accessory socket



JOL3494

A 12-volt accessory socket is provided in the underfloor storage tray. The socket must only be used to power accessories that are temporarily connected to the vehicle.

The tray is designed to allow a cable to run from the socket to the tray's main storage area. For example, a laptop computer placed in the tray can be charged whilst hidden from view.

**Note:** The accessory socket is not powered when the ignition is switched OFF.

#### Earth points

If an accessory needs to be connected to an earth point, consult a Jaguar Dealer/Authorised Repairer.

**Caution:** Under no circumstances must holes be drilled in the bodywork to accept earth terminals.

## Engine Data

### Engine Configuration

Engine	2.0 litre petrol	2.5 litre petrol	3.0 litre petrol	2.0 litre diesel
Type	V6, dual overhead camshafts, 24 valves (4 valves per cylinder)	V6, dual overhead camshafts, 24 valves (4 valves per cylinder)	V6, dual overhead camshafts, 24 valves (4 valves per cylinder)	4 cylinder, dual overhead camshafts, 16 valves (4 valves per cylinder)
Capacity	2099 cm <sup>3</sup> (128 inch <sup>3</sup> )	2495 cm <sup>3</sup> (152 inch <sup>3</sup> )	2967 cm <sup>3</sup> (181 inch <sup>3</sup> )	1998 cm <sup>3</sup> (122 inch <sup>3</sup> )
Bore	81.6 mm (3.212 inch)	81.6 mm (3.212 inch)	89.0 mm (3.504 inch)	86.0 mm (3.386 inch)
Stroke	66.8 mm (2.630 inch)	79.5 mm (3.130 inch)	79.5 mm (3.130 inch)	86.0 mm (3.386 inch)
Compression ratio	10.75:1	10.5:1	10.5:1	18.5:1

## Weights

### 2.0 Litre Petrol Saloon

Gross combination weight is the gross vehicle weight plus recommended trailer weight.

Weights are average/ approximate	Vehicles with automatic transmission		Vehicles with manual transmission	
	kg	lb	kg	lb
Kerb weight, no options fitted	1485	3274	1445	3186
Front axle kerb weight	956	2108	906	1997
Rear axle kerb weight	529	1166	539	1188
Unladen weight, including 90% fuel and 75 kg driver	1555	3428	1515	3340
Gross vehicle weight (G.V.W.)	1970	4343	1925	4244
Gross front axle weight	1090	2403	1038	2288
Gross rear axle weight	880	1940	887	1955
Gross combination weight	3495	7705	3450	7606

### 2.0 Litre Petrol Estate

Weights are average/ approximate	Vehicles with automatic transmission		Vehicles with manual transmission	
	kg	lb	kg	lb
Kerb weight, no options fitted	1555	3428	1515	3340
Front axle kerb weight	960	2116	911	2008
Rear axle kerb weight	595	1312	604	1332
Unladen weight, including 90% fuel and 75 kg driver	1625	3583	1585	3494
Gross vehicle weight (G.V.W.)	2060	4542	2015	4442
Gross front axle weight	1090	2403	1038	2288
Gross rear axle weight	970	2139	977	2154
Gross combination weight	3560	7848	3515	7749

## Weights

### 2.0 Litre Diesel Saloon

Gross combination weight is the gross vehicle weight plus recommended trailer weight.

#### Weights are average/ approximate

	Vehicles with manual transmission	
	kg	lb
Kerb weight, no options fitted	1505	3318
Front axle kerb weight	947	2088
Rear axle kerb weight	558	1230
Unladen weight, including 90% fuel and 75 kg driver	1575	3472
Gross vehicle weight (G.V.W.)	1990	4387
Gross front axle weight	1084	2390
Gross rear axle weight	906	1997
Gross combination weight	3515	7749

### 2.0 Litre Diesel Estate

#### Weights are average/ approximate

	Vehicles with manual transmission	
	kg	lb
Kerb weight, no options fitted	1575	3472
Front axle kerb weight	950	2094
Rear axle kerb weight	625	1378
Unladen weight, including 90% fuel and 75 kg driver	1645	3627
Gross vehicle weight (G.V.W.)	2050	4519
Gross front axle weight	1085	2392
Gross rear axle weight	965	2127
Gross combination weight	3575	7882

## Weights

---

### 2.5 and 3.0 Litre Petrol Saloon

Gross combination weight is the gross vehicle weight plus recommended trailer weight.

Weights are average/ approximate	Vehicles with automatic transmission		Vehicles with manual transmission	
	kg	lb	kg	lb
	Kerb weight, no options fitted	1570	3461	1525
Front axle kerb weight	946	2086	908	2002
Rear axle kerb weight	624	1376	617	1360
Unladen weight, including 90% fuel and 75 kg driver	1640	3616	1595	3516
Gross vehicle weight (G.V.W.)	2055	4530	2015	4442
Gross front axle weight	1081	2383	1045	2304
Gross rear axle weight	974	2147	970	2138
Gross combination weight	3580	7893	3540	7804

### 2.5 and 3.0 Litre Petrol Estate

Weights are average/ approximate	Vehicles with automatic transmission		Vehicles with manual transmission	
	kg	lb	kg	lb
	Kerb weight, no options fitted	1635	3605	1605
Front axle kerb weight	949	2092	918	2024
Rear axle kerb weight	686	1512	687	1515
Unladen weight, including 90% fuel and 75 kg driver	1705	3759	1675	3693
Gross vehicle weight (G.V.W.)	2120	4674	2080	4586
Gross front axle weight	1087	2396	1052	2319
Gross rear axle weight	1033	2277	1028	2266
Gross combination weight	3645	8036	3605	7948

## Load Weights

---

### All Vehicles

<b>Roof-rack Weight</b>	<b>kg</b>	<b>lb</b>
Roof load capacity including weight of roof-rack and/or load carrier	75	165

**Note:** The roof-rack capacity shown above is included in the total vehicle carrying capacity. The maximum permissible axle weights shown on the Vehicle Identification Plate must not be exceeded. In addition, the tyres must be inflated to the 'normal pressures'.

<b>Luggage Compartment Weight</b>	<b>kg</b>	<b>lb</b>
Maximum permitted luggage compartment load with four passengers and driver	60	132

**Note:** Loads greater than 60 kg (132 lb) may be carried in the luggage compartment provided the maximum permissible axle weights shown on the Vehicle Identification Plate are not exceeded and that tyres are inflated to the 'normal pressures'.

<b>Trailer Weights</b>	<b>kg</b>	<b>lb</b>
Braked	1500	3306
Unbraked (maximum recommended, excluding 2.0 litre petrol and 2.0 litre diesel)	750	1653
Unbraked (maximum recommended, 2.0 litre petrol with manual transmission only)	716	1579
Unbraked (maximum recommended, 2.0 litre petrol with automatic transmission only)	735	1620
Unbraked (maximum recommended, 2.0 litre diesel only)	746	1645
Trailer nose load	75	165



## Dimensions

---

### All Vehicles

	<b>mm</b>	<b>inch</b>
Overall length (Saloon)	4672	183.9
Overall length (Estate)	4716	185.7
Overall width including mirrors	2003	78.8
Overall width without mirrors	1789	70.4
Overall height at gross vehicle weight (Saloon)	1392	54.8
Overall height at gross vehicle weight, including roof rails (Estate)	1483	58.4
Wheelbase	2710	106.7
Track:		
Front	1522	59.9
Rear	1537	60.5

## Wheels and Tyres

### Recommended Tyre Fitment

The following charts detail the tyres recommended for use in the countries listed below:

- A.** Australia, Bahrain, Egypt, Israel, Jordan, Kuwait, Lebanon, Malaysia, Mexico, Morocco, Oman, Qatar, Saudi Arabia, South Africa, Syria, Thailand, United Arab Emirates.
- B.** Argentina, Belarus, Bulgaria, Brazil, Chile, Dominican Republic, Estonia, Guatemala, Indonesia, Kazakhstan, Panama, Philippines, Russia, Sri Lanka, Ukraine, Uzbekistan.

#### 2.0 litre diesel and 2.0 litre petrol

Tyre size	Pattern	A	B
205/55 R 16 91V	Pirelli P6000	yes	no
225/45 R 17 91Y	Pirelli P Zero	yes	no
225/45 R 17 94W	Continental Conti Sport Contact	yes	yes

#### 2.5 litre and 3.0 litre petrol

Tyre size	Pattern	A	B
225/45 R 17 91Y	Pirelli P Zero	yes	no
225/45 R 17 94W	Continental Conti Sport Contact	yes	yes

**For all other countries refer to your Jaguar Dealer/Authorised Repairer for specific tyre fitment.**

### 'R' Performance Wheels

The following tyres are approved for use where 'R' performance wheels are fitted.

Wheel size	Tyre size/manufacturer
7.5 x 18	225/40 ZR18 (92) Extra Load Pirelli P Zero Nero

## Fuel Consumption

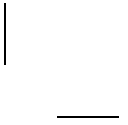
### UK Market Only

#### Saloon models

	Urban		Extra-urban		Combined		
	l/100 km	mpg	l/100 km	mpg	l/100 km	mpg	CO <sub>2</sub> g/km
<b>Automatic transmission</b>							
2.0 litre petrol	14.3	19.8	7.4	37.9	10.0	28.4	239
2.5 litre petrol	15.0	18.9	7.6	37.3	10.3	27.5	244
3.0 litre petrol	15.1	18.7	7.8	36.4	10.5	27.0	249
<b>Manual transmission</b>							
2.0 litre petrol	12.7	22.2	7.1	39.6	9.2	30.7	219
2.5 litre petrol	13.6	20.7	7.2	39.0	9.6	29.5	234
3.0 litre petrol	14.8	19.1	7.7	36.8	10.3	27.5	244
2.0 litre diesel	7.7	36.6	4.6	61.4	5.7	49.1	152

#### Estate models

	Urban		Extra-urban		Combined		
	l/100 km	mpg	l/100 km	mpg	l/100 km	mpg	CO <sub>2</sub> g/km
<b>Automatic transmission</b>							
2.0 litre petrol	14.5	19.4	7.5	37.4	10.1	28.0	244
2.5 litre petrol	15.2	18.6	7.7	36.9	10.4	27.1	249
3.0 litre petrol	15.2	18.5	7.9	35.9	10.6	26.6	254
<b>Manual transmission</b>							
2.0 litre petrol	12.9	22.0	7.2	39.4	9.3	30.5	224
2.5 litre petrol	13.8	20.5	7.3	38.5	9.7	29.0	239
3.0 litre petrol	14.9	19.0	7.8	36.4	10.4	27.3	249
2.0 litre diesel	7.8	36.4	4.7	60.0	5.8	48.5	154



## Index

<ul style="list-style-type: none"> <li>Airbags ..... 49</li> <li>Alarms and audible signals ..... 39</li> <li>Alternator ..... 178</li> <li>Anti-freeze ..... 175</li> <li>Anti-lock braking system (ABS) .... 117</li> <li>Audible warnings ..... 84</li> <li>Audio system ..... 16</li> <li>Automatic climate control with LCD               <ul style="list-style-type: none"> <li>screen ..... 137</li> </ul> </li> <li>Automatic transmission ..... 113               <ul style="list-style-type: none"> <li>gear selector positions ..... 113</li> <li>gearshift interlock ..... 113</li> <li>kickdown ..... 114</li> <li>limp-home mode ..... 114</li> </ul> </li> <li>Auxiliary heater ..... 132</li> <li>Battery               <ul style="list-style-type: none"> <li>charging ..... 178</li> <li>lead disconnect/reconnect ... 40, 178</li> <li>warnings ..... 176</li> </ul> </li> <li>Bonnet release ..... 167</li> <li>Brakes ..... 117               <ul style="list-style-type: none"> <li>emergency brake assist (EBA) ... 118</li> </ul> </li> <li>Bulb renewal ..... 152               <ul style="list-style-type: none"> <li>dip beam ..... 153</li> <li>front direction indicator ..... 154</li> <li>front fog light ..... 155</li> <li>front parking side light ..... 154</li> <li>headlight, dip beam ..... 153</li> <li>high mounted stop light ..... 156</li> <li>main beam ..... 152</li> <li>number plate light ..... 155</li> <li>parking (side) light ..... 154</li> <li>rear light - estate ..... 156</li> <li>rear light - saloon ..... 155</li> <li>side repeater indicator ..... 153</li> </ul> </li> <li>Catalytic converters ..... 130</li> <li>Checking and top-up ..... 171               <ul style="list-style-type: none"> <li>clutch/brake fluid ..... 173</li> <li>engine coolant ..... 174</li> <li>engine oil ..... 171</li> <li>power steering fluid ..... 173</li> <li>windscreen washer fluid ..... 174</li> </ul> </li> </ul>	<ul style="list-style-type: none"> <li>Child safety ..... 52               <ul style="list-style-type: none"> <li>booster seats ..... 56</li> <li>check list - ISOFIX ..... 60</li> <li>check list - non-ISOFIX ..... 56</li> <li>choosing a suitable child seat .... 53</li> <li>infant safety ..... 54</li> <li>ISOFIX child restraint system ..... 57</li> <li>safe use of child restraints ..... 56</li> <li>safety seating and positioning .... 55</li> <li>securing with a seat belt ..... 55</li> <li>summary of the law ..... 53</li> <li>top tether anchorage ..... 59</li> </ul> </li> <li>Child safety locks ..... 36</li> <li>Climate control               <ul style="list-style-type: none"> <li>general points ..... 132</li> <li>recommended operation ..... 131</li> </ul> </li> <li>Clock ..... 65</li> <li>Diesel               <ul style="list-style-type: none"> <li>auxiliary heater ..... 132</li> </ul> </li> <li>Diesel engines               <ul style="list-style-type: none"> <li>running out of fuel ..... 129</li> </ul> </li> <li>Door locks and handles ..... 33               <ul style="list-style-type: none"> <li>smart locking ..... 33</li> </ul> </li> <li>Door window operation ..... 67</li> <li>Dynamic stability control ..... 120</li> <li>Electric window operation ..... 67</li> <li>Electrical accessories ..... 187</li> <li>Emergency brake assist ..... 118</li> <li>Emergency starting ..... 142</li> <li>Engine block heater ..... 175</li> <li>Engine number ..... 27</li> <li>Exterior lighting ..... 93               <ul style="list-style-type: none"> <li>daylight running lights ..... 94</li> <li>direction indicators ..... 96</li> <li>hazard warning ..... 96</li> <li>headlight convenience ..... 93</li> <li>headlight levelling ..... 95</li> <li>rear fog lights ..... 94</li> </ul> </li> <li>Fire extinguisher ..... 122, 165</li> <li>First aid kit ..... 122</li> <li>Floor mat retention ..... 22</li> <li>Foreign travel ..... 122</li> </ul>
---	--

## Index

Fuel and refuelling .....	126	Interior lights	
Fuel capacity .....	127	battery saver .....	97
Fuel consumption .....	195	entry/exit .....	97
Fuel requirements		reading/map lights .....	97
diesel engines .....	129	rear roof light .....	97
petrol engines .....	128	Jacking .....	144
Fuel tank filling .....	126	Jaguar Dealers .....	21
Fuses and fuse boxes .....	157	Jaguar parts and accessories .....	21
fuse box locations .....	158	Key transmitter .....	31
fuse renewing .....	157	battery replacement .....	32
General driving information .....	121	radio frequency approval .....	31
engine braking .....	121	Keys .....	30
engine oil consumption ....	122, 168	Lighting	
parking the vehicle .....	121	Exterior .....	93
running-in .....	26	Interior .....	97
use of headlights in daylight ....	121	Locking wheel nuts .....	145
warming up .....	121	Luggage compartment .....	71
General information .....	21	estate luggage cover .....	75
Handbrake .....	107	estate luggage load net .....	75
Headlight adjustment .....	95	ski hatch .....	74
Health and safety .....	28	tie-down loops, estate .....	72
Horn .....	102	tie-down loops, saloon .....	71
Ignition switch .....	29	underfloor storage - estate .....	72
gearshift interlock .....	29	Maintenance .....	166
steering column lock .....	29	general precautions .....	166, 167
to remove the key .....	29	protect the environment .....	166
In car entertainment .....	16	regular checks .....	168
Inertia switch .....	141	regular servicing .....	166
Instruments .....	77	Manual climate control .....	134
engine temperature .....	78	Manual transmission .....	116
fuel level gauge .....	77	Message centre .....	85
odometer .....	78	messages .....	86
speedometer .....	77	Mirrors	
tachometer .....	77	door .....	69
Interior features .....	108	electrochromic .....	70
cigar lighter and ashtray .....	110	heating .....	69
glove compartment .....	108	interior manual dip .....	70
rear centre armrest .....	110	interior rear view .....	70
sliding armrest .....	109	power fold back .....	69
sun visors .....	109	Mobile phones .....	22
Interior lighting		Occupancy sensing .....	50
dimmer switch .....	98	Owner general information .....	21

## Index

Parkbrake .....	107	Tyres .....	181
Parking assist .....	99	damage .....	183
Portable phones .....	22	pressures .....	181
Protect the environment .....	22	recommended fitment .....	194
Rain sensitive wiper control .....	104	renewal .....	181
Rear seat back fold down .....	73	repair .....	182
Regular checks .....	168	snow chains .....	183
Regular servicing .....	24	wear .....	182
Reverse aid .....	99	winter (snow) tyres .....	183
Roof-rack .....	123	Vehicle	
Roof-rack		recovery .....	149
capacity .....	192	transporting .....	150
Running-in .....	26	Vehicle care .....	184
Seat adjustment .....	61	alloy road wheels .....	186
front seats - electrical .....	62	automatic car wash .....	185
front seats - electrical with memory .....	63	carpets .....	184
front seats - manual adjustment .....	61	cloth upholstery .....	184
head restraints .....	61	exterior care .....	185
Seat heaters .....	64	glass surfaces .....	185
Security features .....	39	interior care .....	184
battery reconnection .....	40	leather upholstery .....	23
inclination (tilt) sensing .....	40	paintwork .....	186
intrusion sensing .....	40	removing grease or tar .....	185
panic alarm .....	40	removing stains .....	184
Sport mode .....	115	underbonnet cleaning .....	186
Starting/stopping the vehicle .....	111	washing .....	185
before starting .....	111	Vehicle data	
starting a diesel engine .....	112	dimensions .....	193
starting a petrol engine .....	111	engine .....	188
Steering column adjustment .....	66	recommended tyre fitment .....	194
Sunroof .....	103	roof load and trailer weights .....	192
Temporary spare wheel .....	145	weights .....	189
Touring .....	122	Vehicle identification .....	26
Touring headlight adjustment .....	95	Vehicle locking and unlocking .....	33
Towbar fixing points .....	125	Vehicle recovery .....	149
Towing a caravan or trailer .....	123	towing eye .....	150
Towing eye .....	150	transporting .....	150
Traction control .....	119		
Trailer weights .....	192		

## Index

---

Vehicle security .....	30
alarms and audible signals .....	39
child safety locks .....	36
door locks and handles .....	33
key transmitter .....	31
keys .....	30
luggage compartment .....	38
security light .....	30
Warning lights .....	79
Warning triangle .....	123
Warnings, Cautions and Notes .....	24
Weights .....	189
Wheel changing .....	146
Wheel changing and jacking .....	144
Wheel/tyre data .....	194
Window operation .....	67
Window tinting .....	22
Windscreen	
wipers/washers .....	104
Winter driving .....	122
Wiper blades .....	180