



X-TYPE

DATE 09/03

XT206-04

SERVICE

TECHNICAL BULLETIN

Noise Or Odor From Rear Brakes –
Rear Pads Pads Sticking In Anchor Plate –
Repair Procedure

MODEL 2002-03 MY
X-TYPE

VIN C00294-D51525

Issue:

Some 2002-03 MY X-TYPE vehicles may exhibit a squeal or moan noise or a strong odor from the rear brakes. This condition can be caused by the rear brake pads sticking in the brake caliper anchor plate.

To solve this concern, new rear brake pads should be installed, the rear caliper anchor plates cleaned and silicone grease applied.

Action:

In case of a verified customer complaint of the above condition on a 2002-03 MY X-TYPE, within the above VIN range, follow the repair procedure outlined below.

REPAIR PROCEDURE

1. Remove rear brake pads (see Workshop Manual, JTIS CD ROM, section: 206-04, SRO 70.40.03).
2. Remove the brake caliper anchor plate from vehicle.
3. Using a suitable narrow wire brush, clean all four brake pad support areas on the brake caliper anchor plate.
4. Degrease brake caliper anchor plate using a suitable cleaning agent.

NOTE: The information in Technical Bulletins is intended for use by trained, professional technicians with the knowledge, tools, and equipment to do the job properly and safely. It informs these technicians of conditions that may occur on some vehicles, or provides information that could assist in proper vehicle service. The procedures should not be performed by "do-it-yourselfers." Do not assume that a condition described affects your car. Contact a Jaguar retailer to determine whether the Bulletin applies to your vehicle.

5. Apply silicone grease to the brake caliper anchor plate at the four brake pad support areas as shown in the shaded areas in Illustration 1.

Note: Use only the specified silicone grease. Ensure that the grease is confined to the four brake pad support areas, and that no residue comes into contact with the brake pads or brake disc.

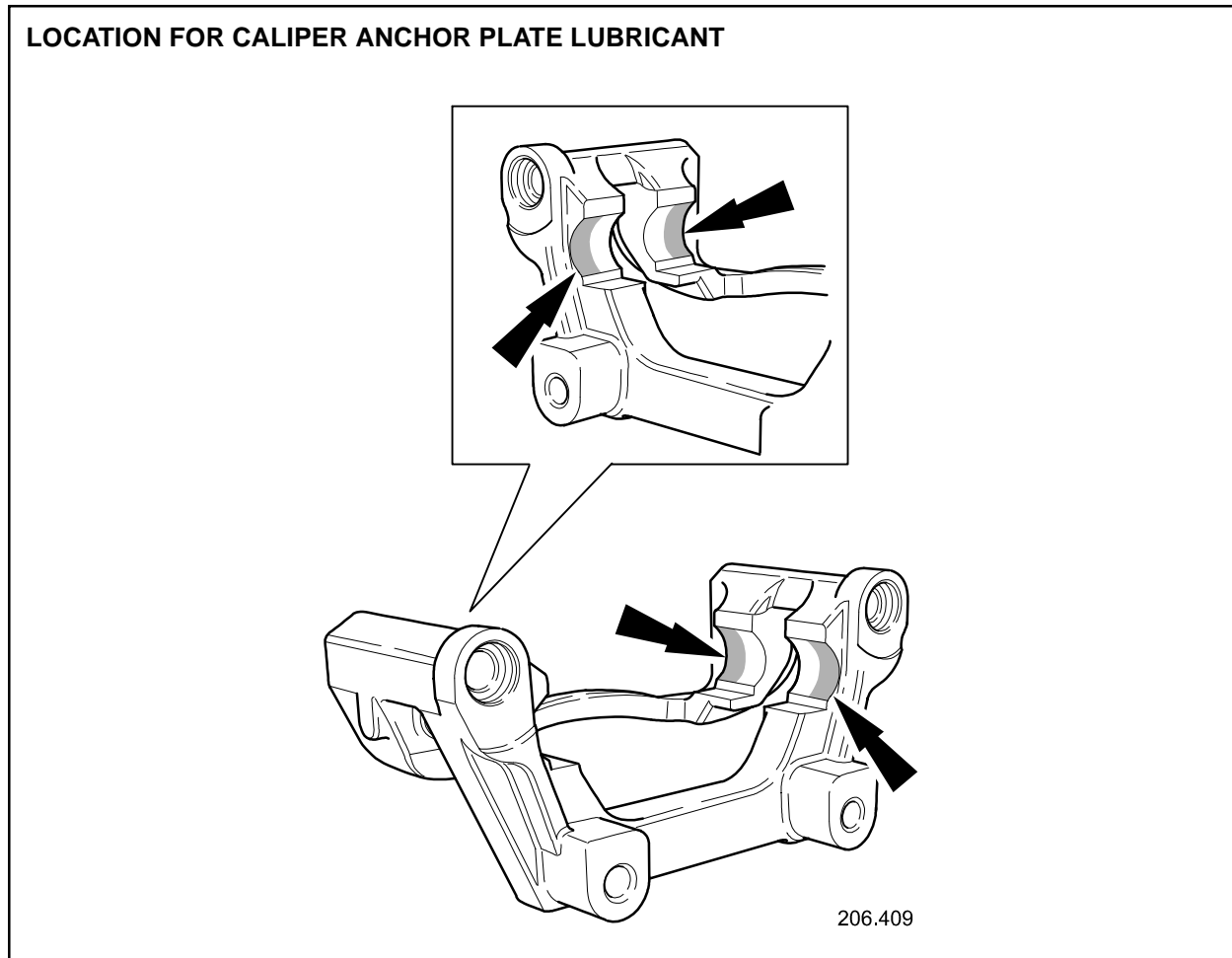


ILLUSTRATION 1

6. Align brake caliper anchor plate to the vehicle, install and fully tighten securing bolts to 70 Nm.
7. Carry out steps 2-6 for the opposite side brake caliper anchor plate.
8. Install new rear brake pads (see Workshop Manual, JTIS CD ROM, section: 206-04, SRO 70.40.03).

Parts Information:

<u>DESCRIPTION</u>	<u>PART NUMBER</u>	<u>QTY</u>
Rear brake pad kit	C2S 33408	1
Silicone grease	C2S 33465	1

Warranty Information:

Warranty claims should be submitted quoting the information found in the table below. This will result in payment of the stated time and, where applicable parts/miscellaneous expense codes as listed.

Description	SRO	Time	Causal Part Number
Rear brake pad modification	70.91.29	1.0 hrs.	C2S 33465